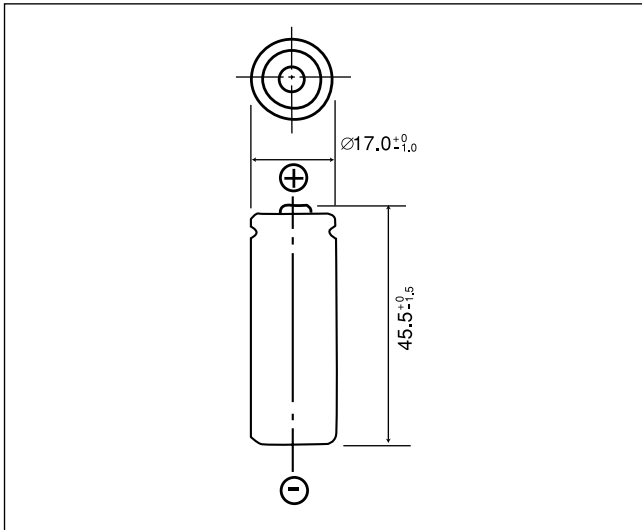


BR-AG

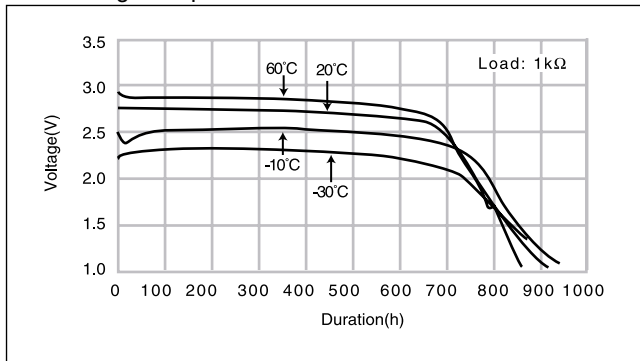
■ Dimensions(mm)



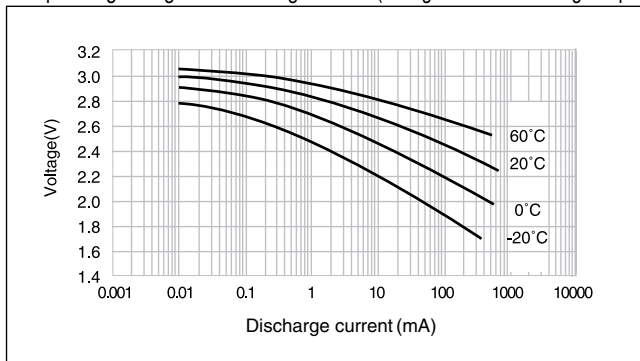
■ Specification

Nominal voltage(V)	3
Nominal capacity(mAh)	2,200
Continuous drain(mA)	2.5
Operating temperature(°C)	-40 to +85

■ Discharge temperature characteristics

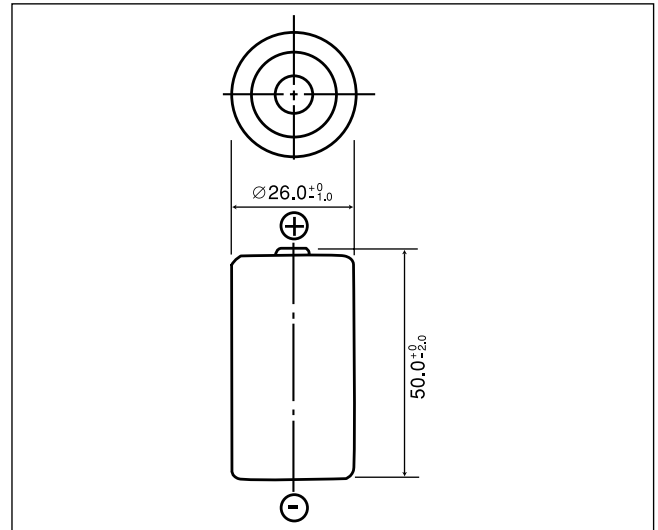


■ Operating voltage vs. Discharge current(voltage at 50% discharge depth)



BR-C

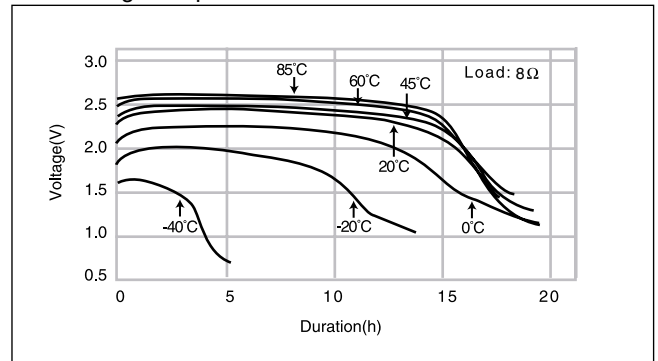
■ Dimensions(mm)



■ Specification

Nominal voltage(V)	3
Nominal capacity(mAh)	5,000
Continuous drain(mA)	5.0
Operating temperature(°C)	-40 to +85

■ Discharge temperature characteristics



■ Operating voltage vs. Discharge current(voltage at 50% discharge depth)

