



Mallory Sonalert Products, Inc.

Part #:

SBT5LM1PC

Sales Outline Drawing

Revision:

D

Specifications:

cUL Recognized to IEC60601-1-8 - General Melody

Sound Level Category:	Silence	Loud	Loud	Loud
Mode of Operation:	Silence - NO SOUND	Low Priority Alarm 2 beeps repeating every 30 sec	Medium Priority Alarm 3 beeps repeating every 7.5 sec	High Priority Alarm 10 beeps repeating every 2.5 sec
Loudness @ 10cm:		85 to 95 dB(A) Typ.	85 to 95 dB(A) Typ.	85 to 95 dB(A) Typ.
Frequency:	150 to 4000 Hz			
Connection:	Connect "+" to "+" & "-" to "-" of Power Supply	Connect "+" to "+" & "-" & L to "-" of Power Supply	Connect "+" to "+" & "-" & M to "-" of Power Supply	Connect "+" to "+" & "-" & H to "-" of Power Supply
Voltage Rating:	3.3 to 5 VDC			
Average Current Draw:	<15mA Typ.	<15mA Typ.	<15mA Typ.	<20mA Typ.
Ipk Current*:	300mA			
Housing Material:	ABS 777D Plastic Resin, Black			
Storage Temperature:	-40° to +85° C			
Operating Temperature:	-30° to +65° C			
Weight Typical:	0.6 oz (17g)			
Options:	Please contact factory.			

Dimensions:

Inches [mm]

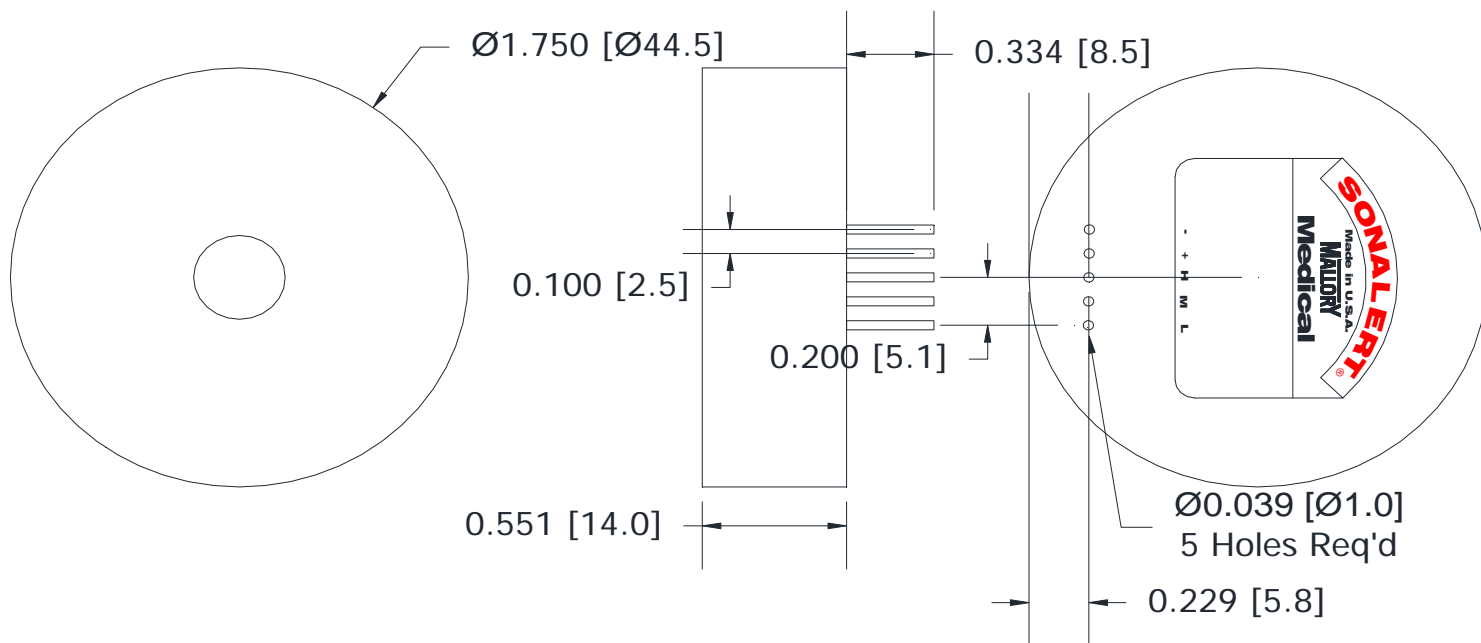
cUL Recognized

ROHS Compliant

PATENT NUMBER: 7880593

Before Code Date: 1546 Not cUL Recognized

After Code Date: 1547 cUL Recognized



*Ipk = Instantaneous Peak