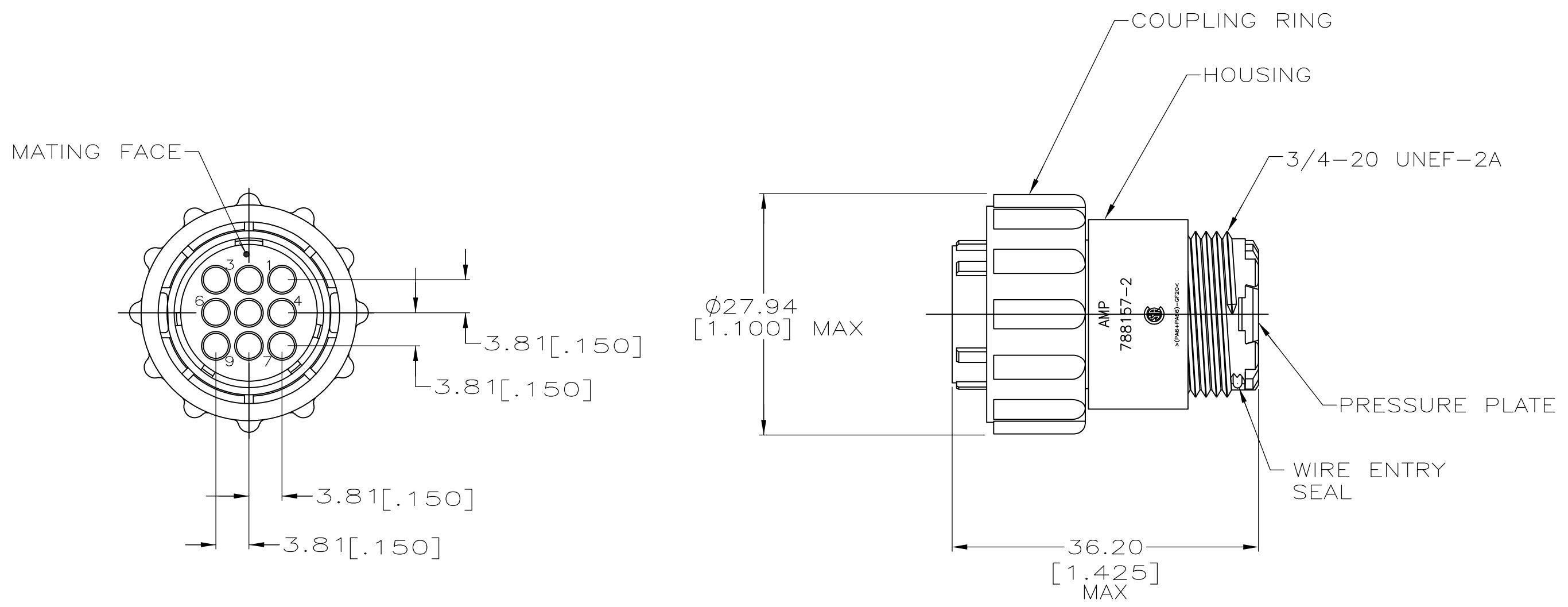


THIS DRAWING IS UNPUBLISHED. RELEASED FOR PUBLICATION
 © COPYRIGHT - By - ALL RIGHTS RESERVED.

LOC	DIST	REVISIONS					
FT	0	P	LTR	DESCRIPTION	DATE	DWN	APVD
			B1	REVISED PER ECO-11-004820	11MAR11	RK	HMR



- 1. THIS PART WILL ACCEPT NINE (9) MULTIMATE SOCKET CONTACTS.
- 2 COUPLING RING, HOUSING, AND PRESSURE PLATE: NYLON, BLACK. WIRE ENTRY SEAL: ELASTOMER, RED-IRON OXIDE.
- 3 METAL COUPLING RING.

3	.065-.120	STANDARD	788157-3
	.065-.120	STANDARD	788157-2
	.040-.080	SMALL	788157-1
	DIAMETER RANGE	INSULATION	PART NUMBER

THIS DRAWING IS A CONTROLLED DOCUMENT.		DWN	C.DORWART	21 AUG 98	STE TE Connectivity
DIMENSIONS: INCHES		CHK	R.WALTER	21 AUG 98	
TOLERANCES UNLESS OTHERWISE SPECIFIED:		APVD	R.WALTER	21 AUG 98	
0 PLC ± - 1 PLC ± - 2 PLC ± 0.13 [.005] 3 PLC ± - 4 PLC ± - ANGLES ± -		PRODUCT SPEC	NAME		
MATERIAL	- 2	FINISH	-		PLUG ASSEMBLY, 13-9, STANDARD SEX, SERIES I, SEALED, CIRCULAR PLASTIC CONNECTOR
-		WEIGHT	-		SIZE
-		CUSTOMER DRAWING		SCALE	2:1
-		A3 00779 C-788157		SHEET	1 OF 1
-		-		RESTRICTED TO	REV B1