

DETAILS

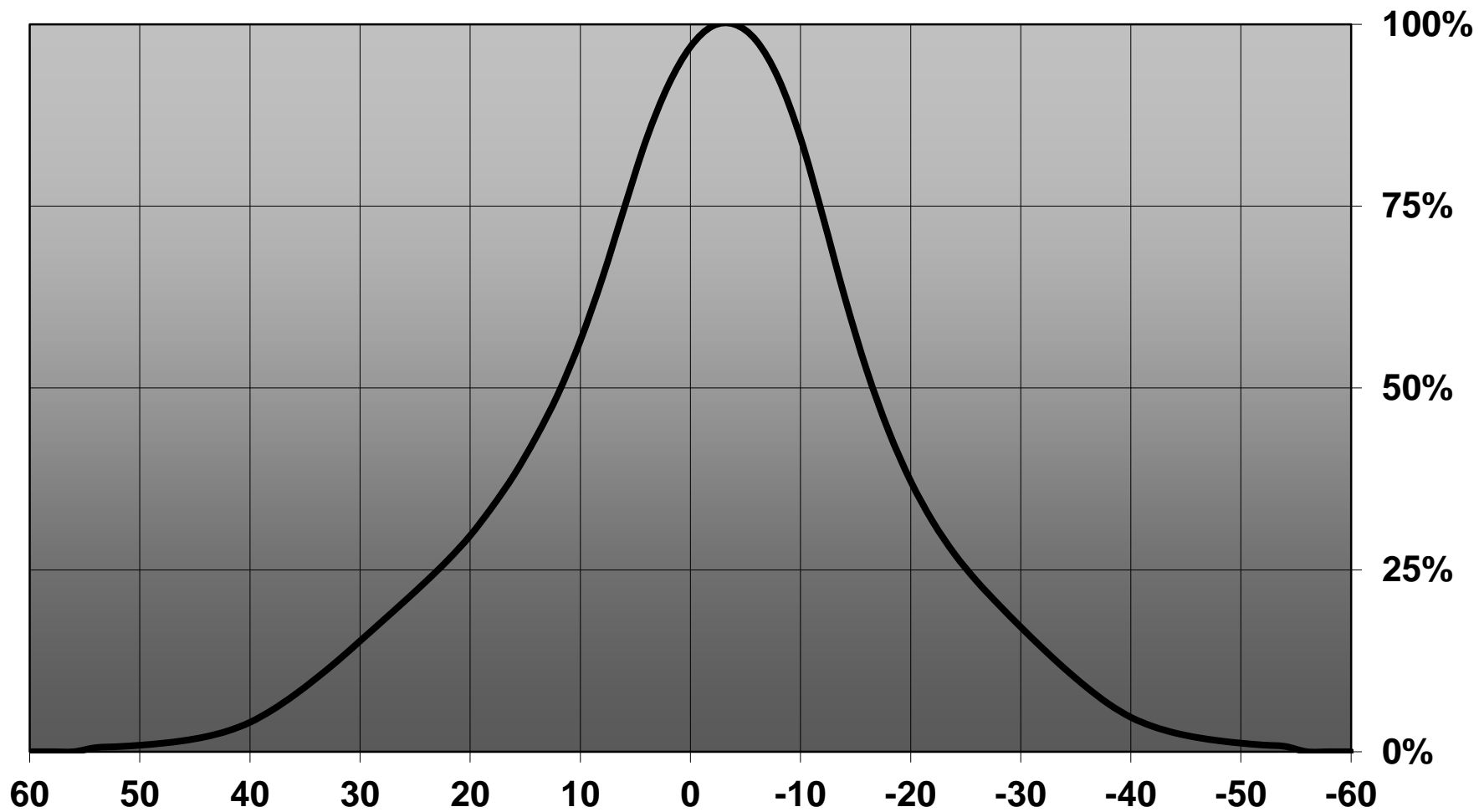
Product Number	FP11077_LISA2-WW-CLIP
Family	Lisa
Type	Assembly
Color	black
Diameter	9,9 mm
Height	6,8 mm
Style	round
Optic Material	PMMA
Holder Material	
Fastening	glue, clips
Status	production ready
ROHS Compliant	Yes
Date Updated	14/10/2016



OPTICAL PROPERTIES

LED	Viewing Angle	Light Beam	Efficiency	cd/lm	Connector
XP-E	42 deg	Very Wide	91 %	1.300	-
XP-G	54 deg	Very Wide	90 %	0.900	-
XQ-E	sim: 72	Very Wide	sim: 90 %	sim: 0.700	-
XQ-E HI	sim: 27	Very Wide	sim: 89 %	sim: 2.300	-
LUXEON Z	28 deg	Very Wide	87 %	2.260	-
LUXEON Z ES	35 deg	Very Wide	88 %	1.800	-

Relative intensity of FP11007_LISA2-WW-CLIP_(Luxeon Z)



D

C

B

A

4

4

3

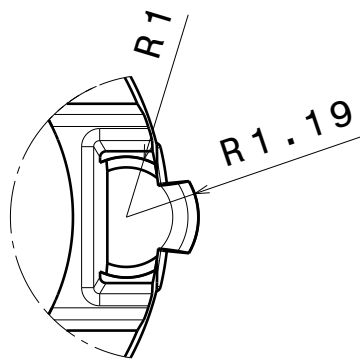
3

2

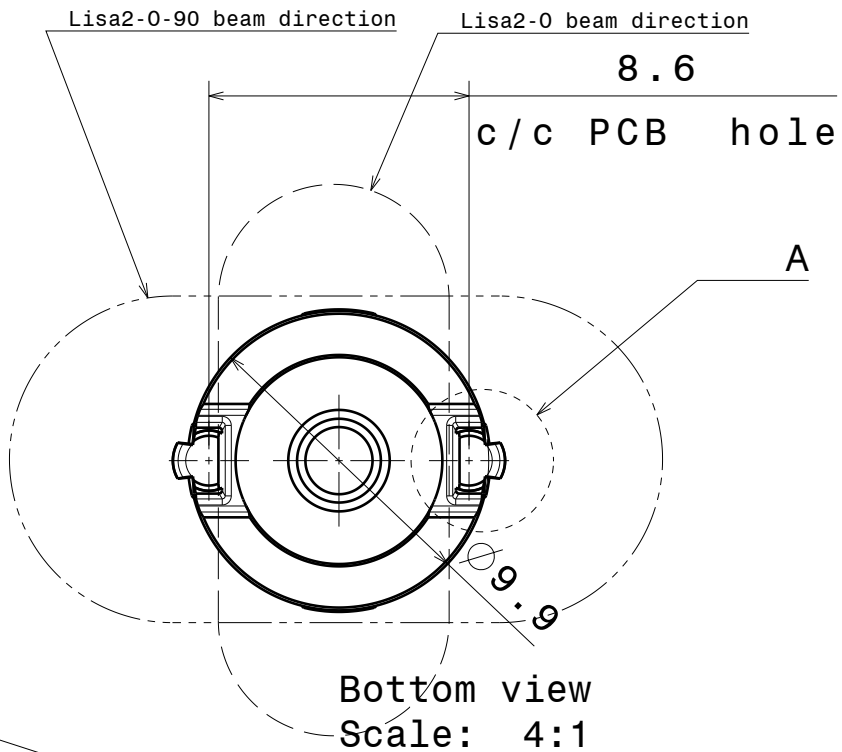
2

1

1



Detail A
Scale: 8:1

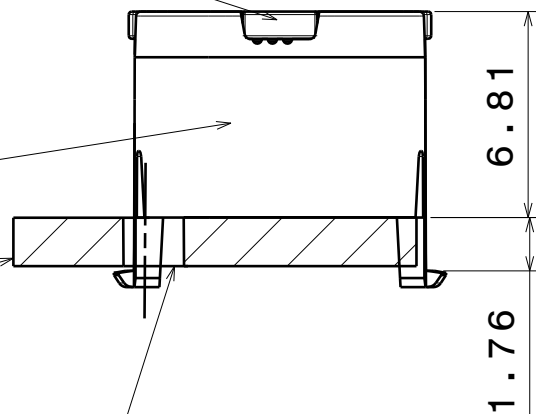


Bottom view
Scale: 4:1

Lens

Holder

Reference PCB



Front view
Scale: 4:1

Materials:
Lens PMMA
Holder PC

Note:
Take tolerances
into account
when specifying
positioning
holes for PCB

This drawing is our property.
It can't be reproduced
or communicated without
our written agreement.



Ledil Oy
Tehdaskatu 13
FIN-24100 SALO
Finland

DRAWING TITLE

Datasheet Lisa2-clip16-XP series Assy

DRAWN BY
ch

DATE
20.7.2011

CHECKED BY
sn

DATE
20.7.2011

SIZE
A4

DRAWING NUMBER

REV
2

DESIGNED BY
hh

DATE
19.10.2009

SCALE

4:1

WEIGHT (g)

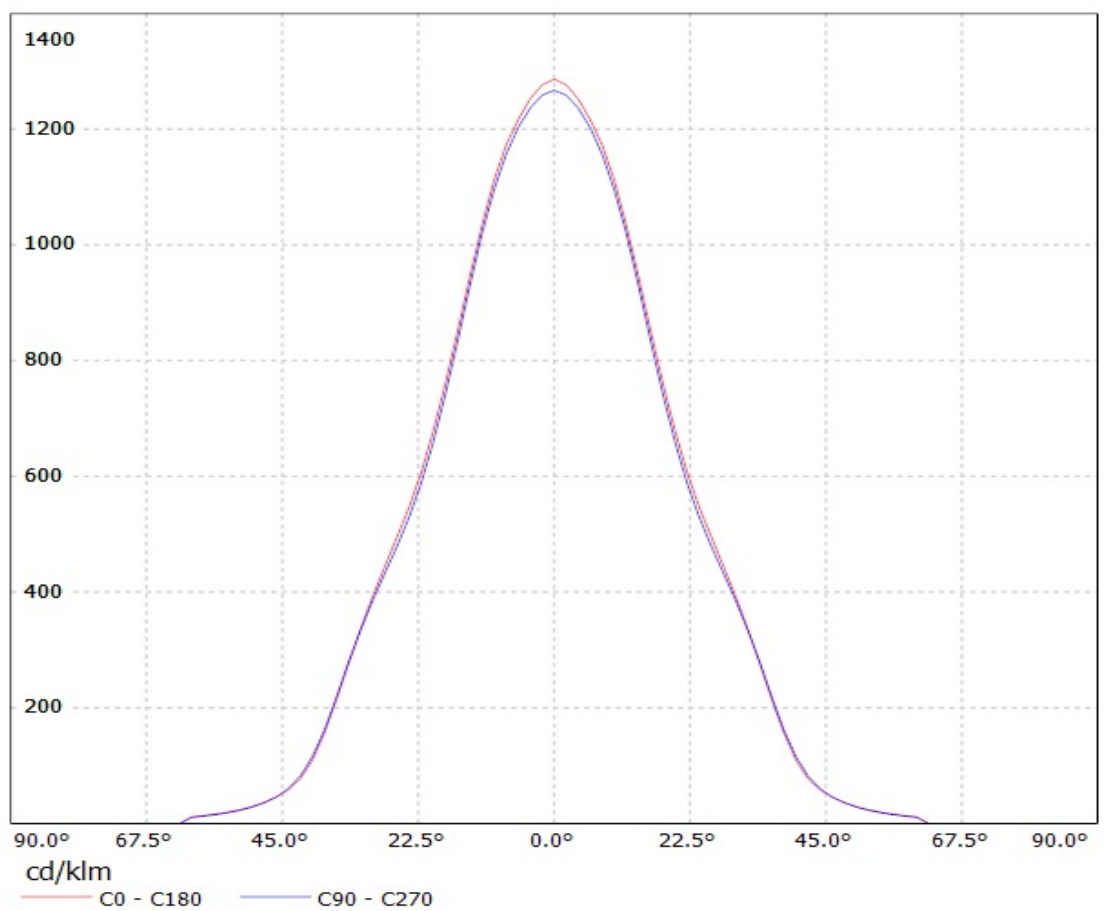
SHEET

1/1

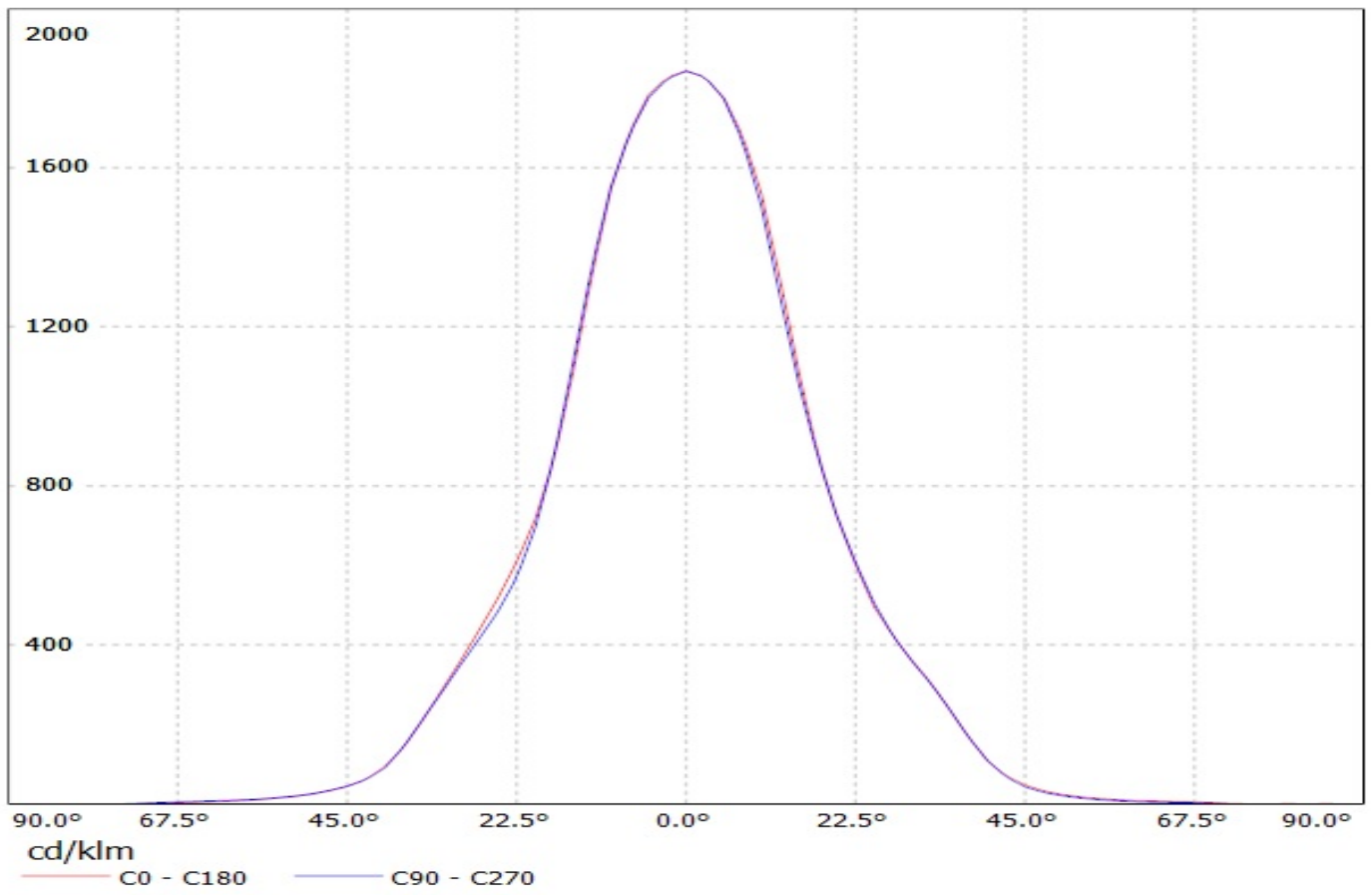
D

A

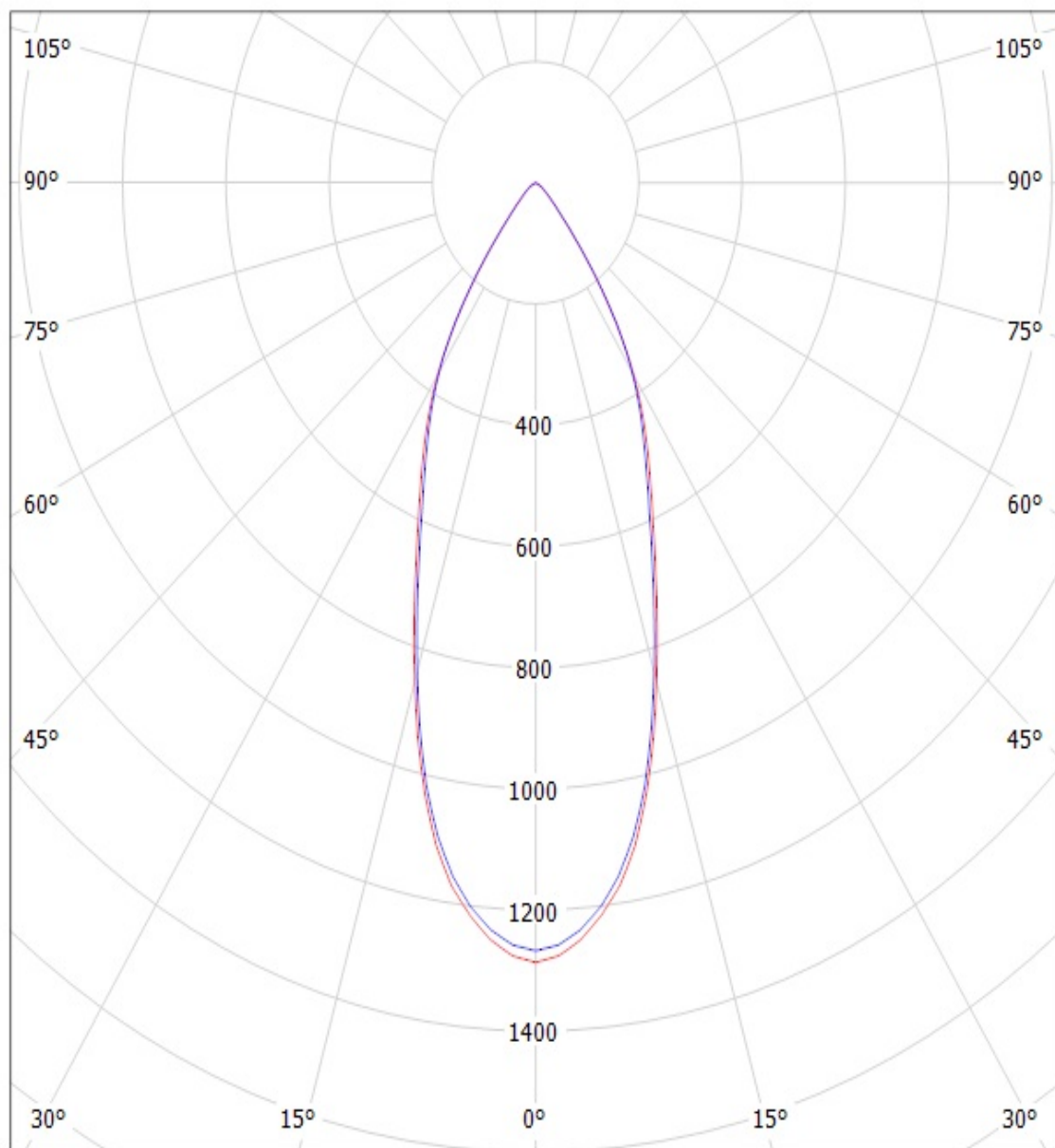
Luminaire: Ledil Oy FA10997_Lisa2-WW-Pin/FP11077_LISA2-WW-CLIP-XP FA10997_Lisa2-WW-Pin/FP11077_LISA2-WW-CLIP-XP
Lamps: 1 x cree xp-e white



Luminaire: LEDil Oy FP11077_LISA2-WW-CLIP_(Luxeon_Z_ES) Efficiency=88%
Lamps: 1 x Philips Lumileds Luxeon Z ES (LXZ2-3090) 50.4lm @ 250mA CCT=3200K P=0.7 I=250mA



Luminaire: Ledil Oy FA10997_Lisa2-WW-Pin/FP11077_LISA2-WW-CLIP-XP FA10997_Lisa2-WW-Pin/FP11077_LISA2-WW-CLIP-XP
Lamps: 1 x cree xp-e white

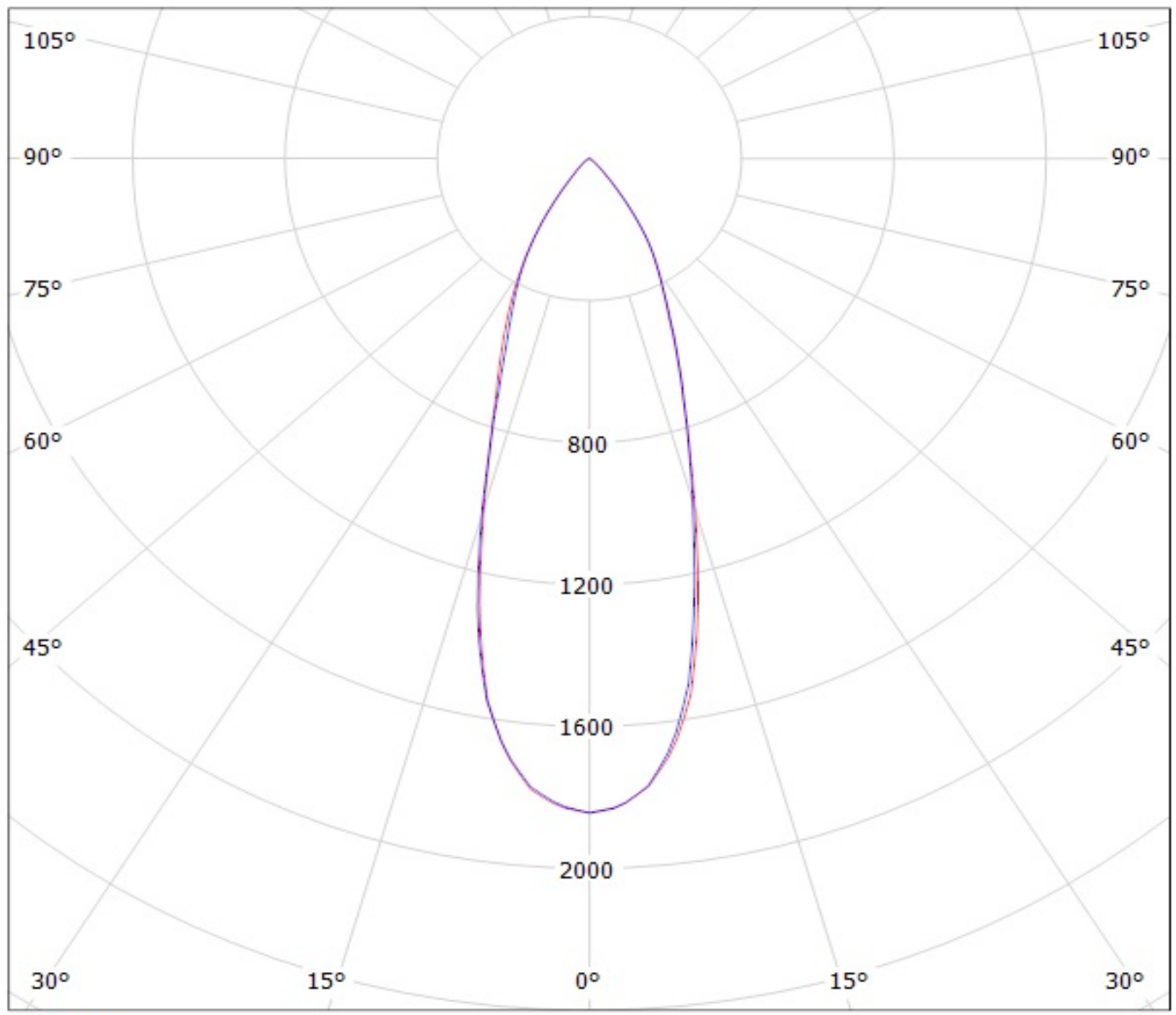


cd/klm

— C0 - C180

— C90 - C270

Luminaire: LEDil Oy FP11077_LISA2-WW-CLIP_(Luxeon_Z_ES) Efficiency=88%
Lamps: 1 x Philips Lumileds Luxeon Z ES (LXZ2-3090) 50.4lm @ 250mA CCT=3200K P=0.7 I=250mA



cd/klm

— C0 - C180

— C90 - C270

NOTE: The typical divergence will be changed by different color, chip size and chip position tolerance. The typical total divergence is the full angle measured where the luminous intensity is half of the peak value.