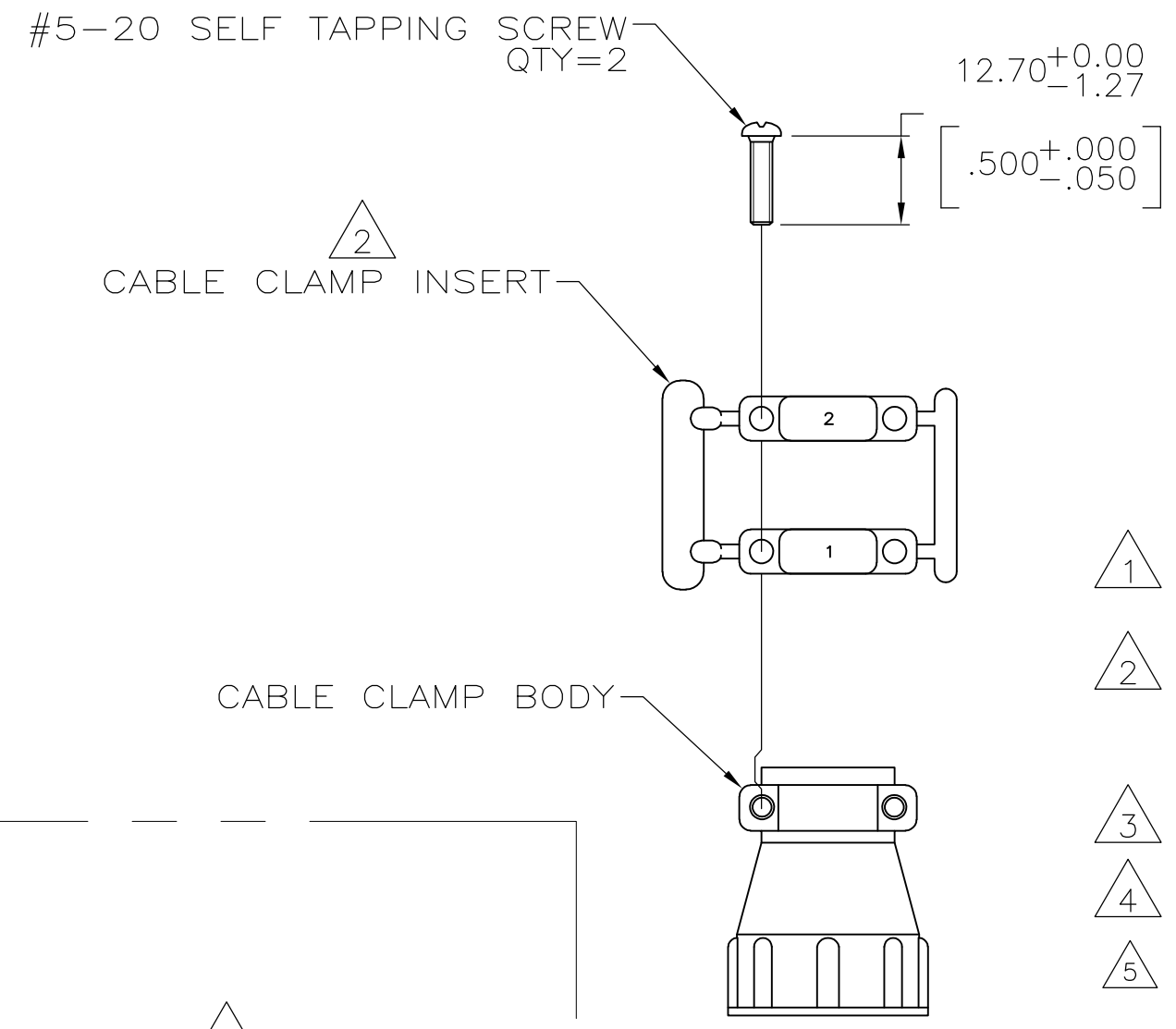
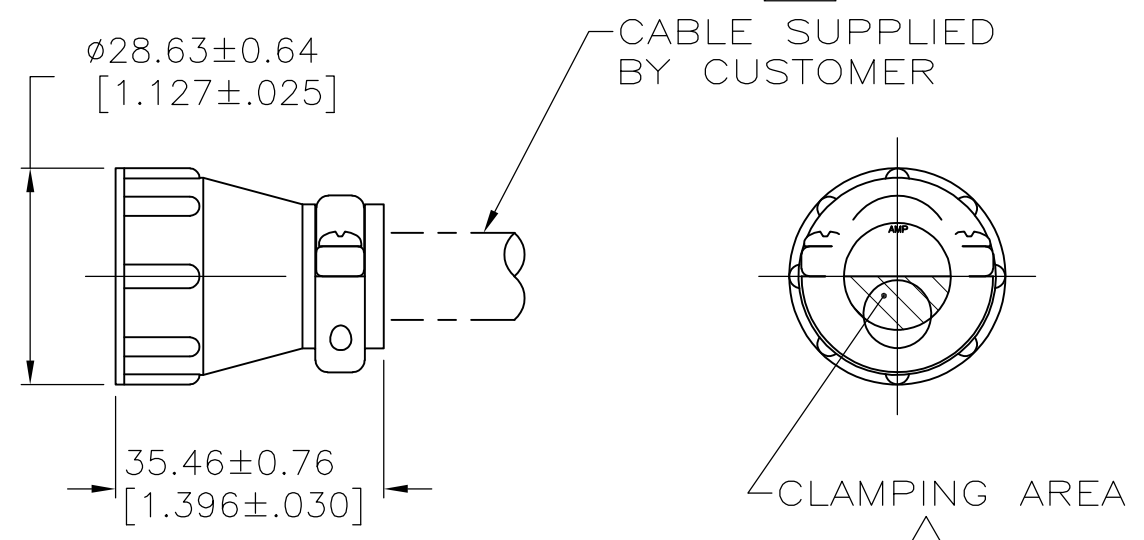


THIS DRAWING IS UNPUBLISHED. RELEASED FOR PUBLICATION
 © COPYRIGHT - By - ALL RIGHTS RESERVED.

LOC	DIST	REVISIONS			
P	LTR	DESCRIPTION	DATE	DWN	APVD
FT	0	A2	REVISED PER ECO-11-004917	11MAR11	RK HMR



- 1 CABLE CLAMP BODY AND INSERTS: NYLON, BLACK. SCREWS: CARBON STEEL.
- 2 CABLE CLAMPING AREA ADJUSTABLE FROM 0.25 [.010] TO 4.09 [.161] SQ AREA BY REVERSING OR CHANGING CLAMPING INSERTS.
- 3 11.51 [.453] MAXIMUM CABLE OUTSIDE DIAMETER.
- 4 SCREWS: ZINC PLATE, NON-HEXAVALENT COATING.
- 5 OBSOLETE PARTS: OBSOLETE CIS STREAMLINING PER D.RENAUD/D.SINISI



ASSEMBLED VIEW

SCREW FINISH	PACKAGING	PART NUMBER
4	BULK	213904-4
4	INDIVIDUAL	213904-3
4	BULK	213904-2
4	INDIVIDUAL	213904-1
5 SUPERSEDED		

THIS DRAWING IS A CONTROLLED DOCUMENT.		DWN D.HARDY 07/12/95	STE TE Connectivity			
DIMENSIONS: mm [INCHES]		CHK R.STONE 07/13/95				
TOLERANCES UNLESS OTHERWISE SPECIFIED:		APVD A.FRANTUM 07/14/95	CABLE CLAMP KIT, STANDARD, UNASSEMBLED, SIZE 17, CPC			
0 PLC ± -		PRODUCT SPEC 108-1579				
1 PLC ± -		APPLICATION SPEC	SIZE	CAGE CODE	DRAWING NO	RESTRICTED TO
2 PLC ± -		WEIGHT -	A3	00779	C-213904	-
3 PLC ± -		CUSTOMER DRAWING				
4 PLC ± -		SCALE 1:1		SHEET 1 OF 1		REV A2
ANGLES ± -						
FINISH -						