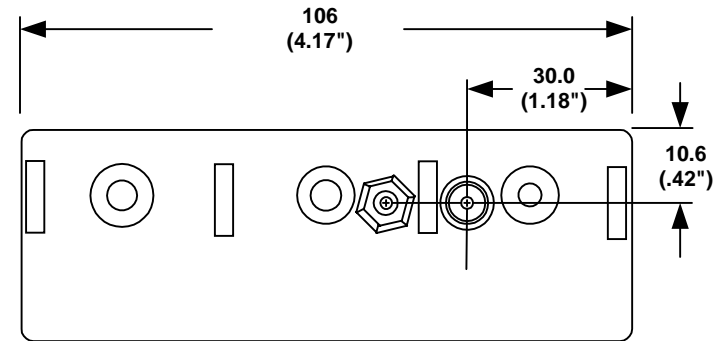
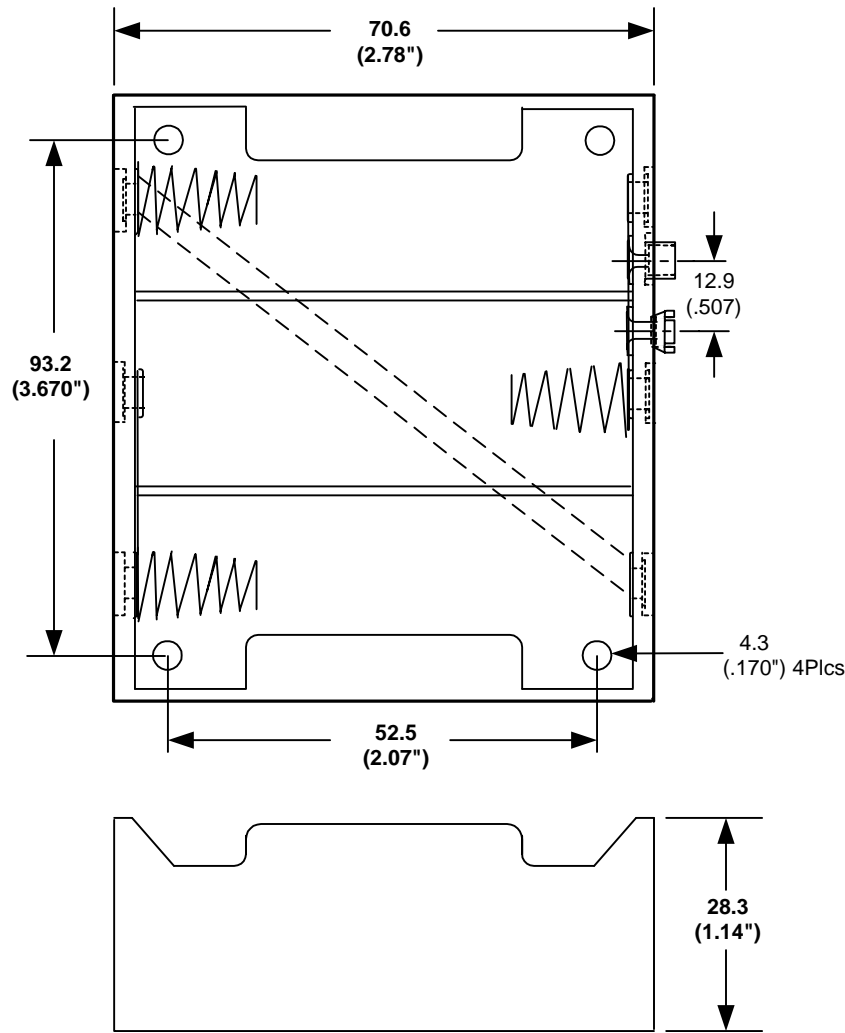


DATE	SYM	REVISION RECORD	AUTH	DR.	CK.



9 VOLT TYPE SNAPS SHOWN ABOVE


ORDERING CODE BH3D

SPECIFICATIONS:

- Plastic material - polypropylene
- Springs - nickel plated spring steel
- Wire - 152.4 mmRef.Long 26 AWG, UL1007, CSA - TR-64, 300V, 80°C.
- Rivets - Brass, nickel plated
- 9 Volts Snaps - Brass, nickel plated

SOLDER LUGS	= L
(6") WIRE LEADS	= W
9VOLT TYPE SNAPS	= SF
BUMP PLATES	= B

Note: Dimensions in mm. (inches)

TOLERANCES (EXCEPT AS NOTED)	 Memory Protection Devices, Inc. 200 Broad Hollow Road, Farmingdale, New York 11735		
DECIMAL + .5 (.020") - .5 (.020")	SCALE	DRAWN BY S.C.	
FRACTIONAL + .8 (.030") - .8 (.030")	APPROVED BY		
ANGULAR + 3° - 3°	DATE 09/12/2000	DRAWING NUMBER BH3DSF	
THREE "D" CELL HOLDER			