

DETAILS

Product Number	F14738_BROOKE-G2-S
Family	Brooke
Type	Reflector
Color	metal
Diameter	45 mm
Height	19,7 mm
Style	round
Optic Material	PC
Holder Material	
Fastening	socket
Status	production ready
ROHS Compliant	Yes
Date Updated	2/02/2017

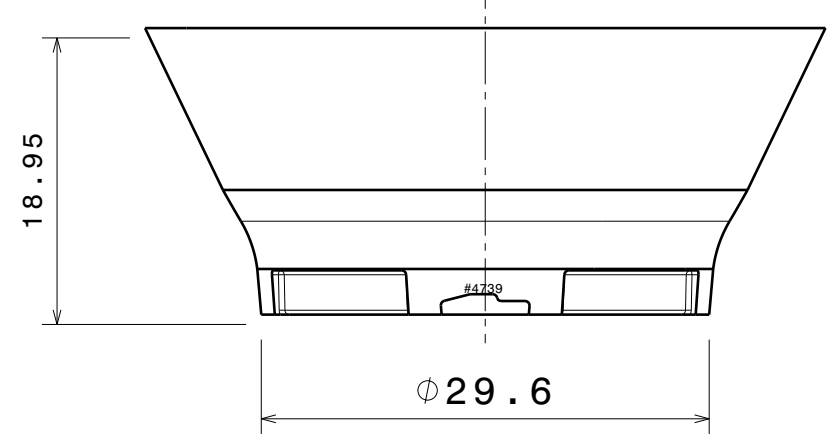
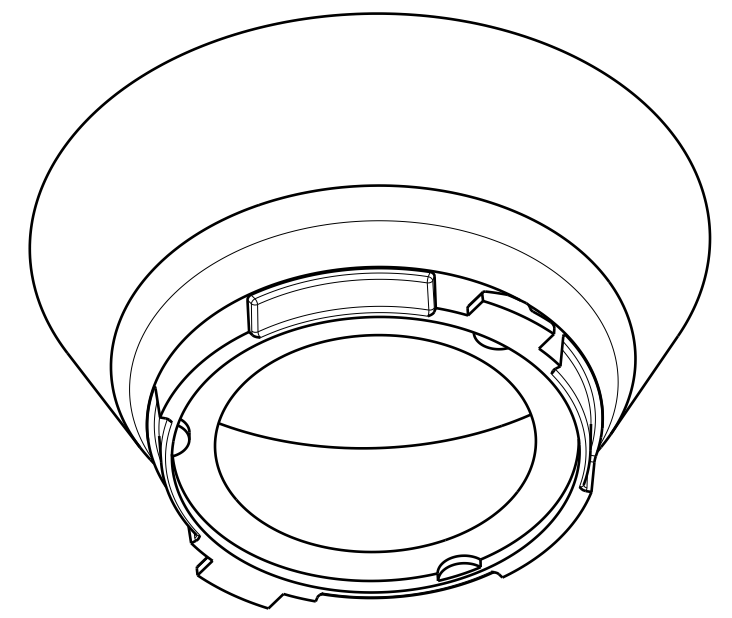
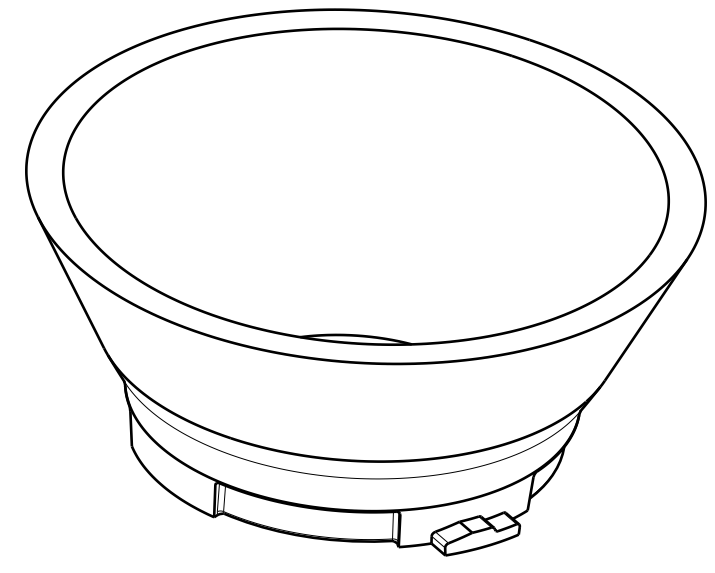
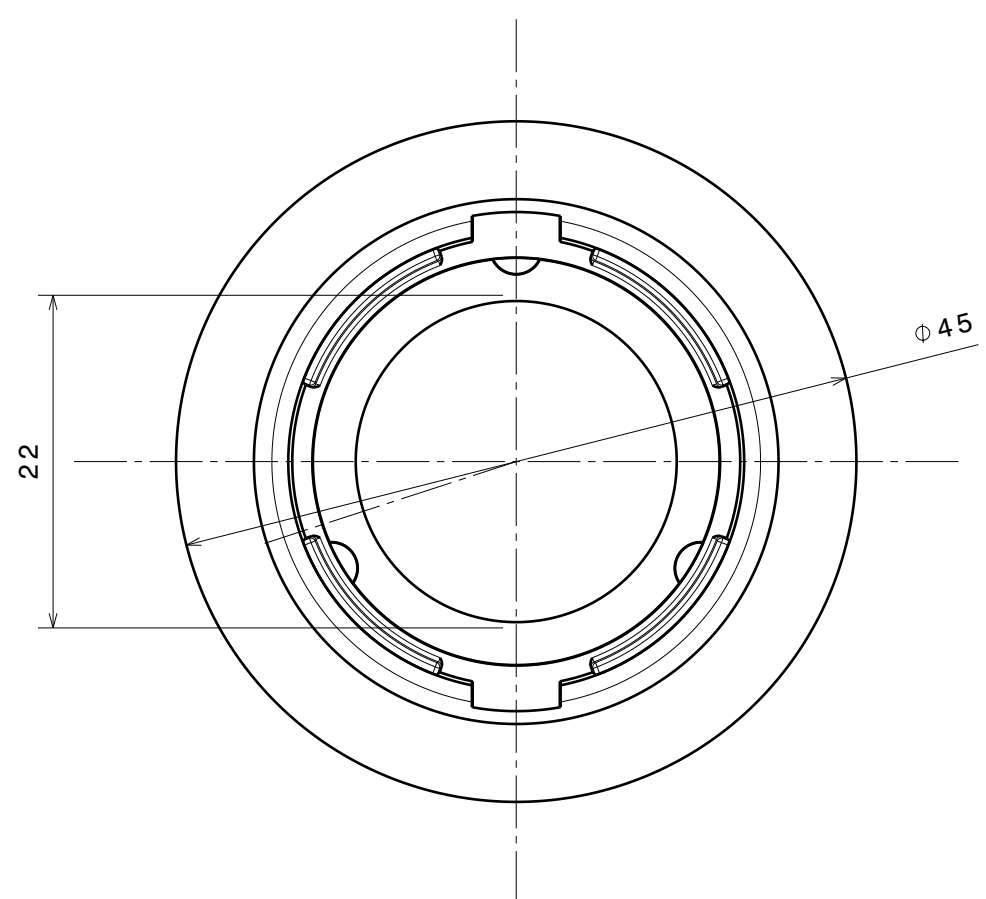


OPTICAL PROPERTIES

LED	Viewing	Light	Efficiency	cd/lm	Connector
	Angle	Beam			
V8 Gen6	sim: 15	Spot	-	sim: 0.000	LEDiL: F15253_HEKLA-SOCKET-A
V10 Gen6	sim: 15	Spot	-	sim: 0.000	LEDiL: F14988_HEKLA-SOCKET-E
CLL02x/CLU02x (LES10)	16 deg	Spot	94 %	4.800	LEDiL: F15255_HEKLA-SOCKET-C
CLL02x/CLU02x (LES10)	sim: 18	Spot	sim: 92 %	sim: 4.300	LEDiL: F15255_HEKLA-SOCKET-C
CXA/B 1816 & CXA/B 1820 & CXA 1850	sim: 22	Spot	-	sim: 0.000	LEDiL: F15254_HEKLA-SOCKET-B
CXA/B 15xx	sim: 15	Spot	-	sim: 0.000	LEDiL: F15256_HEKLA-SOCKET-D
COB D Series LES 9.8 mm	18 deg	Spot	94 %	4.300	LEDiL: F15255_HEKLA-SOCKET-C
MJT COB LES 6	11 deg	Spot	93 %	8.300	LEDiL: F15255_HEKLA-SOCKET-C
MJT COB LES 9.8	20 deg	Spot	92 %	3.300	LEDiL: F15255_HEKLA-SOCKET-C
SLE G6 LES15	sim: 25	Spot	sim: 92 %	sim: 2.400	LEDiL: F15859_HEKLA-SOCKET-I
SLE G6 LES10	sim: 15	Spot	sim: 94 %	sim: 5.800	LEDiL: F15255_HEKLA-SOCKET-C
SLE G6 LES17	sim: 29	Spot	sim: 92 %	sim: 2.010	LEDiL: F15859_HEKLA-SOCKET-I

H G F E D C B A

REV	DATE	DESCRIPTION	DONE BY
002	21.12.2015	Fixing area change	jk



INDEX	PART NO	DESCRIPTION	MATERIAL	COLOUR
1	F14738	BROOKE-G2-S	PC	metal

Tolerances if not otherwise shown
 According to DIN ISO 2768-1
 Linear measures:
 Up to 30mm class F_M, otherwise see class MC.
 According to DIN ISO 2768-2
 Form and position: class K
 Control for SPC marked dimensions.

LEDiL Ledil Oy
 Salorankatu 10
 FIN 24240 SALO
 Finland

THIRD ANGLE PROJECTION:

DRAWING TITLE
F14738_BROOKE-G2-S Datasheet

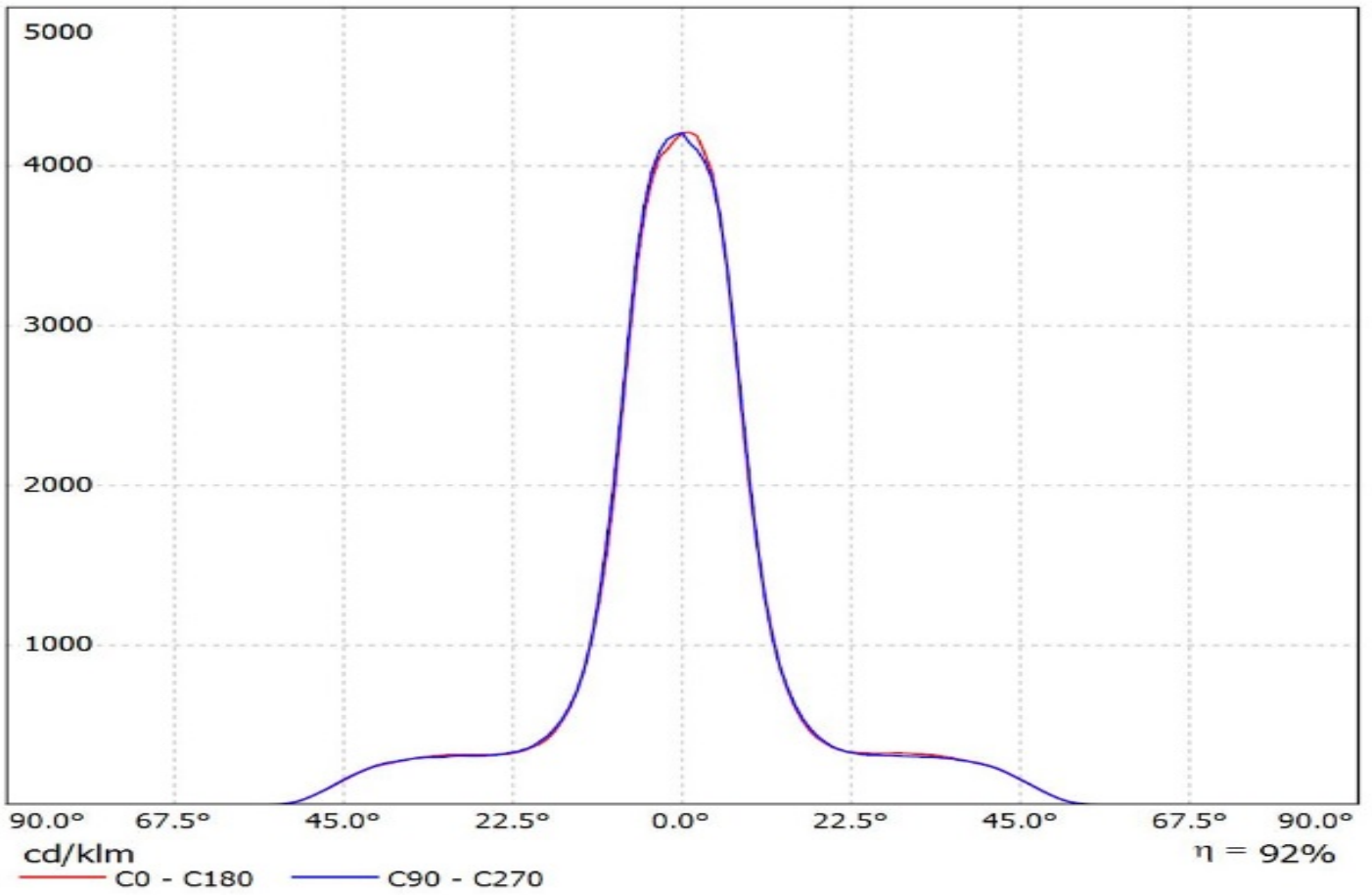
This drawing is the property of LEDiL Oy. It may not be reproduced, copied or communicated without a written agreement with LEDiL Oy.

SIZE	PART NUMBER
A3	F14738

SCALE	1:1	WEIGHT	4,5 g	SHEET	1/1
-------	-----	--------	-------	-------	-----

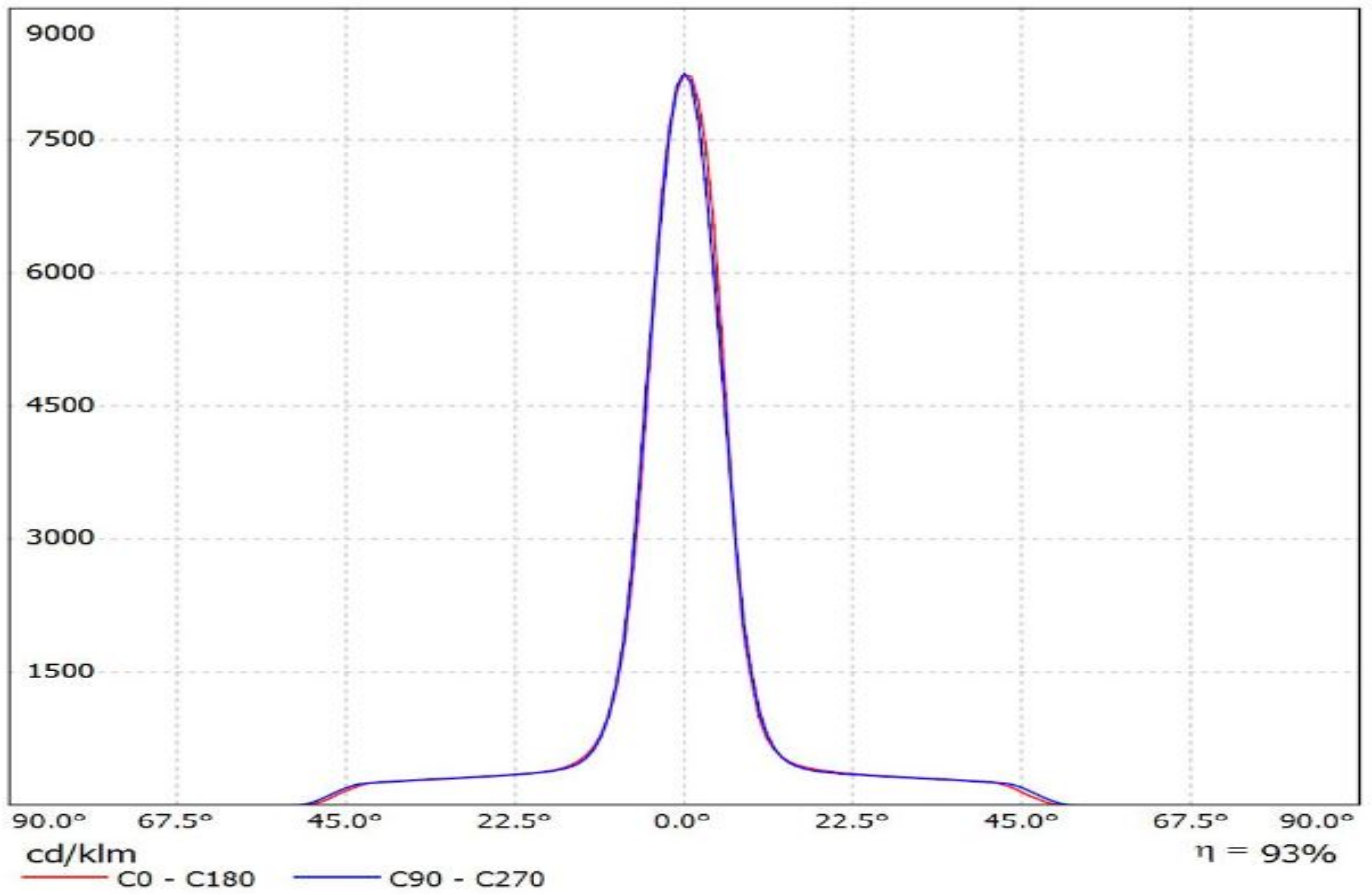
H G B A

Luminaire: Ledil Oy F14738_BROOKE-G2-S_ + F15255_HEKLA-SOCKET-C_(CLU028)_SIMULATED
Lamps: 1 x Citizen CLU028-1204C4-303M2K1 + F15255_HEKLA-SOCKET-C

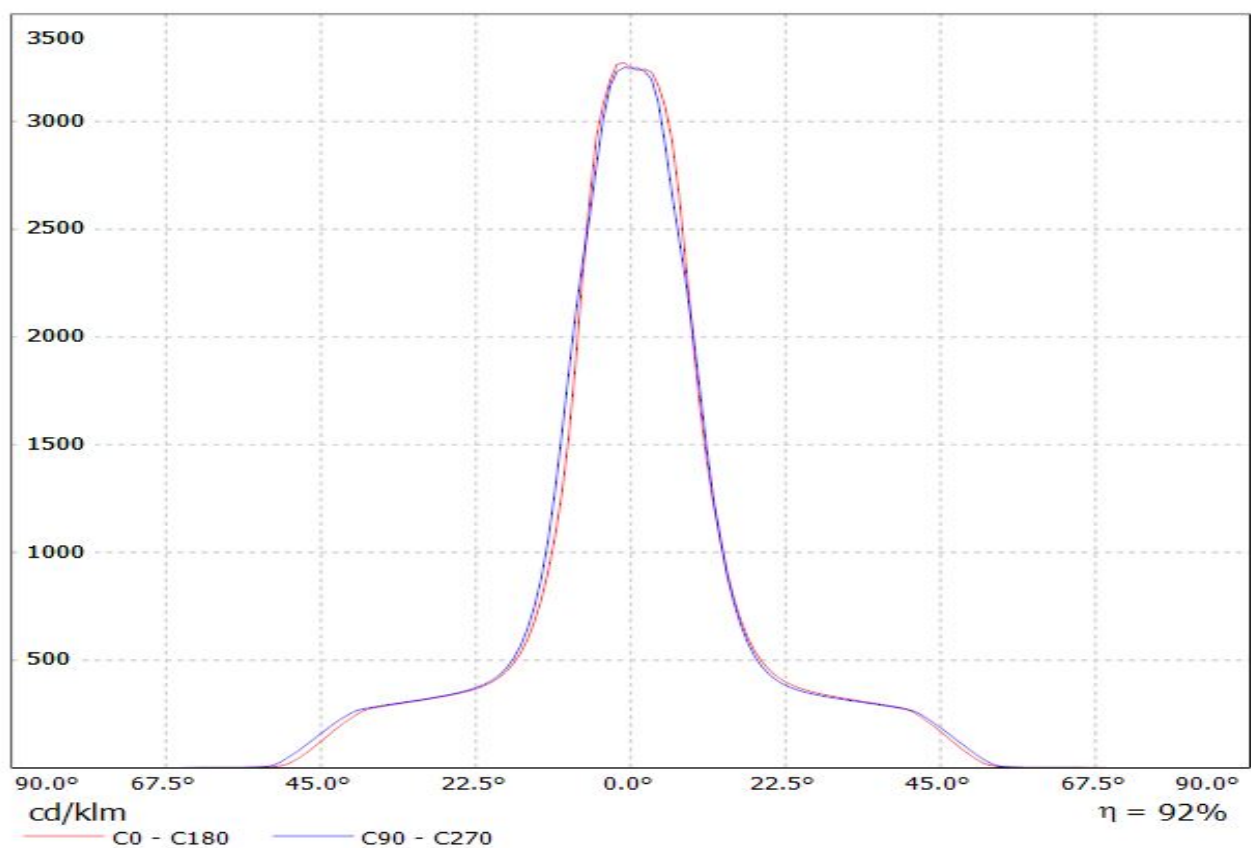


Luminaire: Ledil F14738_BROOKE-G2-S_(MJT_6W_Les6)

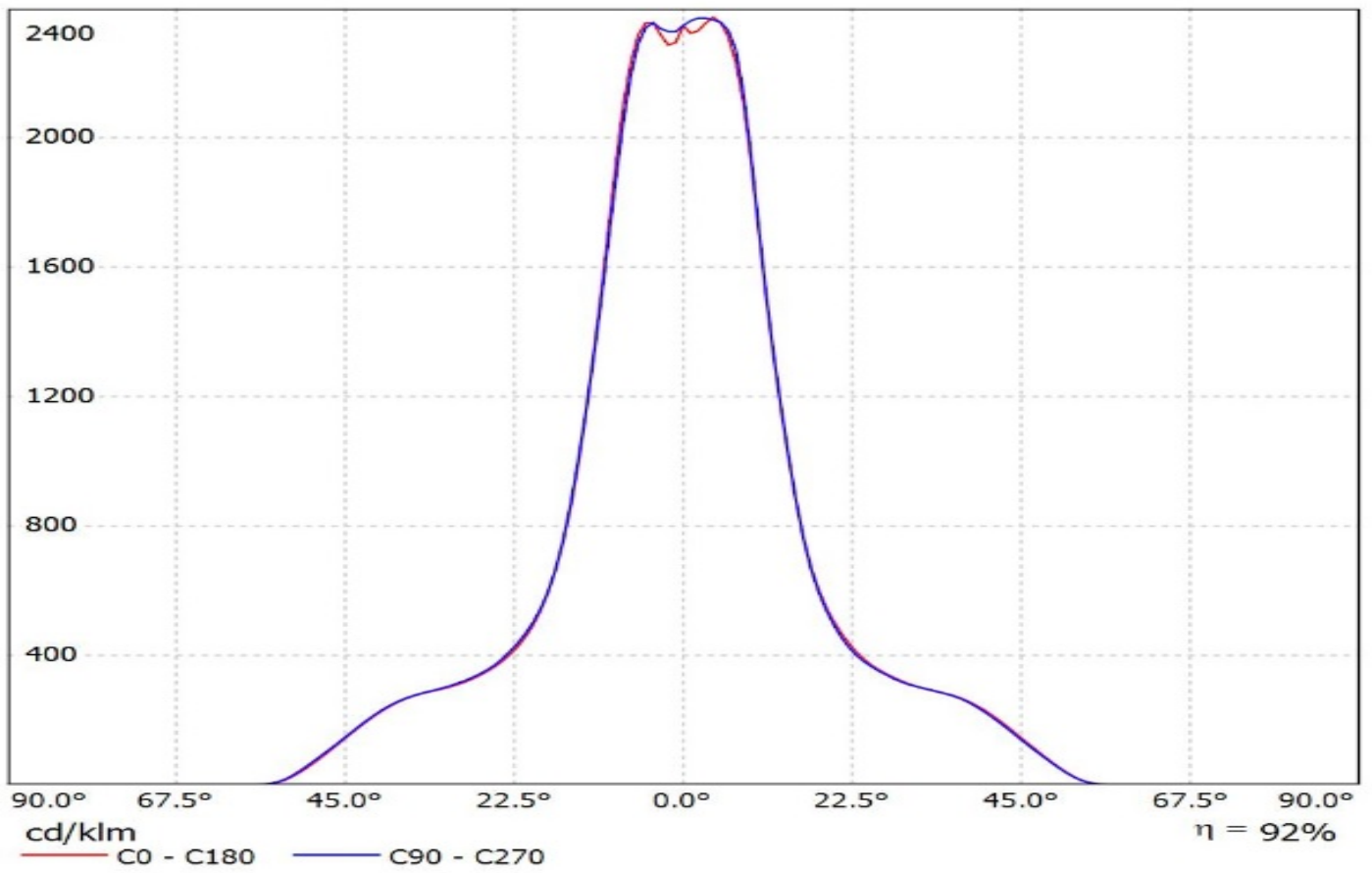
Lamps: 1 x Seoul_MJT_6W_Les6mm_(SAWx0661A)_838.42lm@180mA_P=6.48702W_I=0.18A



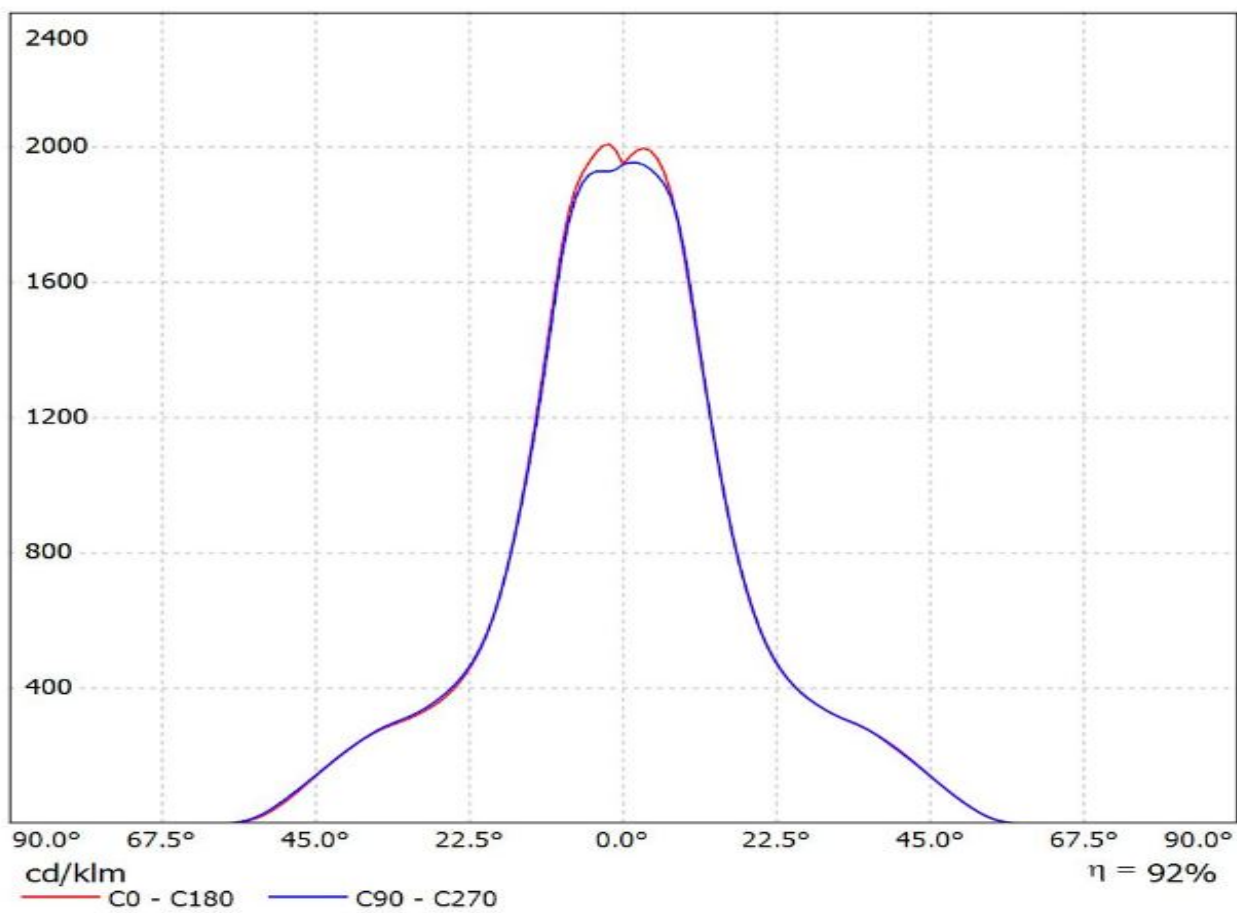
Luminaire: Ledil F14738_BROOKE-G2-S_(MJT_12W_Les9,8)+HEKLA-SOCKET-C
Lamps: 1 x Seoul_MJT_12W_Les9.8mm_(SAWx1063A)_1269.11lm@250mA_P=8.415W_I=0.25A



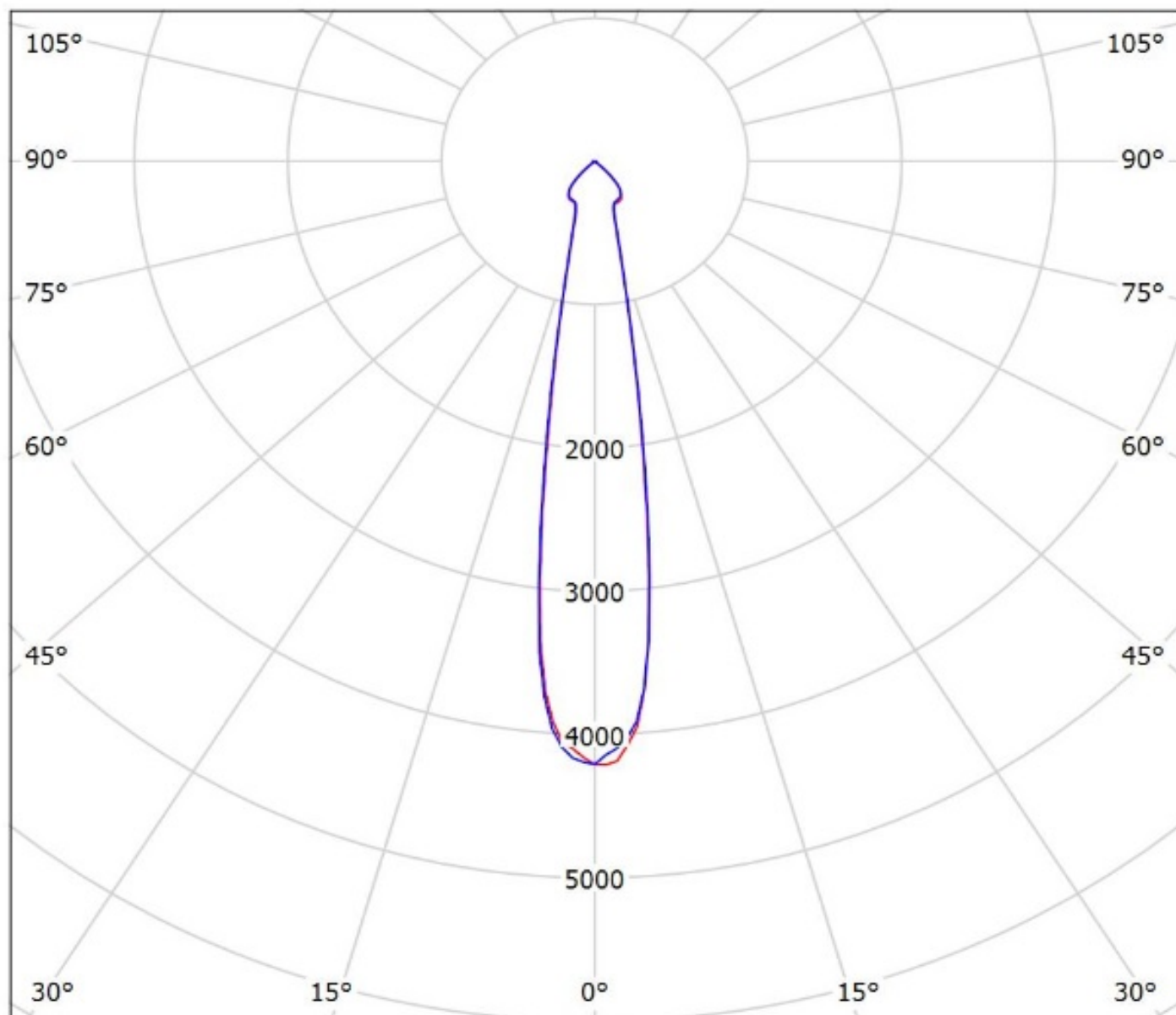
Luminaire: Ledil Oy PRELIMINARY_F14738_BROOKE-G2-S+_F15859_HEKLA-SOCKET-I_ (SLE_G6_LES15)_SIMULATED
Lamps: 1 x Tridonic SLE G6 LES15 + F15859_HEKLA-SOCKET-I



Luminaire: Ledil Oy F14738_BROOKE-G2-S+_F15859_HEKLA-SOCKET-I_TRIDONIC_SLE_G6_LES17_SIMULATED
Lamps: 1 x TRIDONIC SLE G6 LES17



Luminaire: Ledil Oy F14738_BROOKE-G2-S_+_F15255_HEKLA-SOCKET-C_(CLU028)_SIMULATED
Lamps: 1 x Citizen CLU028-1204C4-303M2K1 + F15255_HEKLA-SOCKET-C



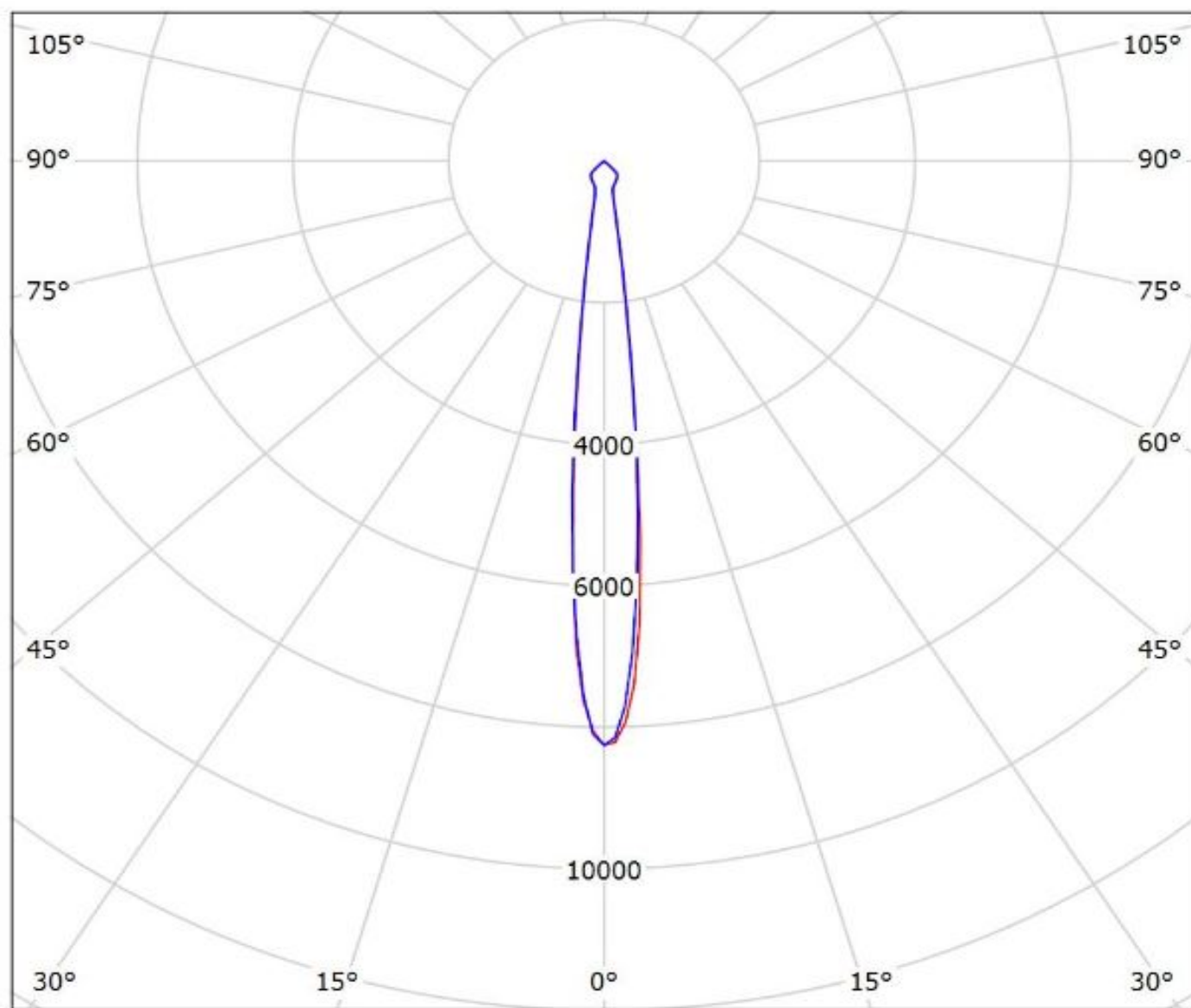
cd/klm

— C0 - C180 — C90 - C270

$\eta = 92\%$

Luminaire: Ledil F14738_BROOKE-G2-S_(MJT_6W_Les6)

Lamps: 1 x Seoul_MJT_6W_Les6mm_(SAWx0661A)_838.42lm@180mA_P=6.48702W_I=0.18A



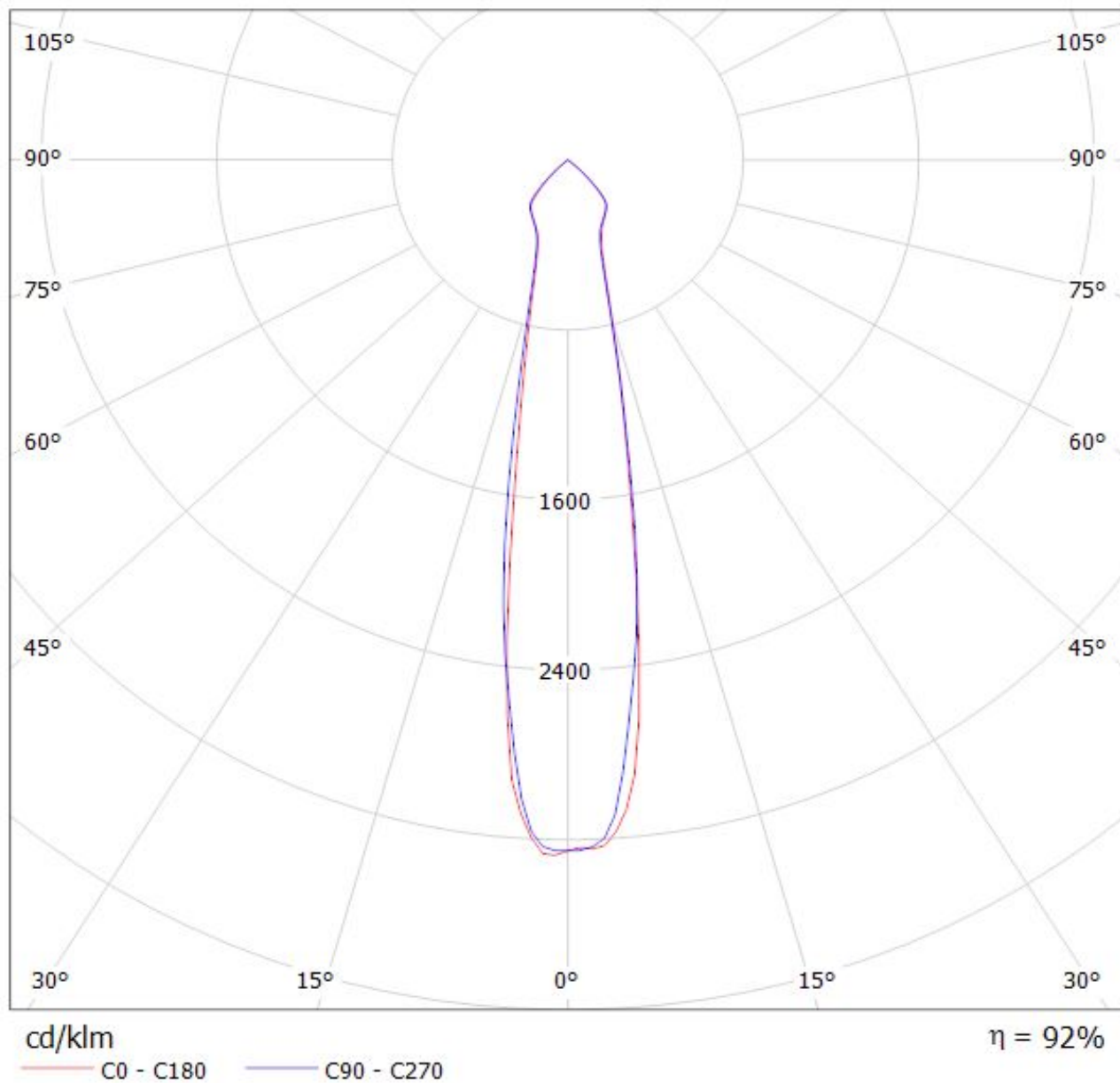
cd/klm

— C0 - C180

— C90 - C270

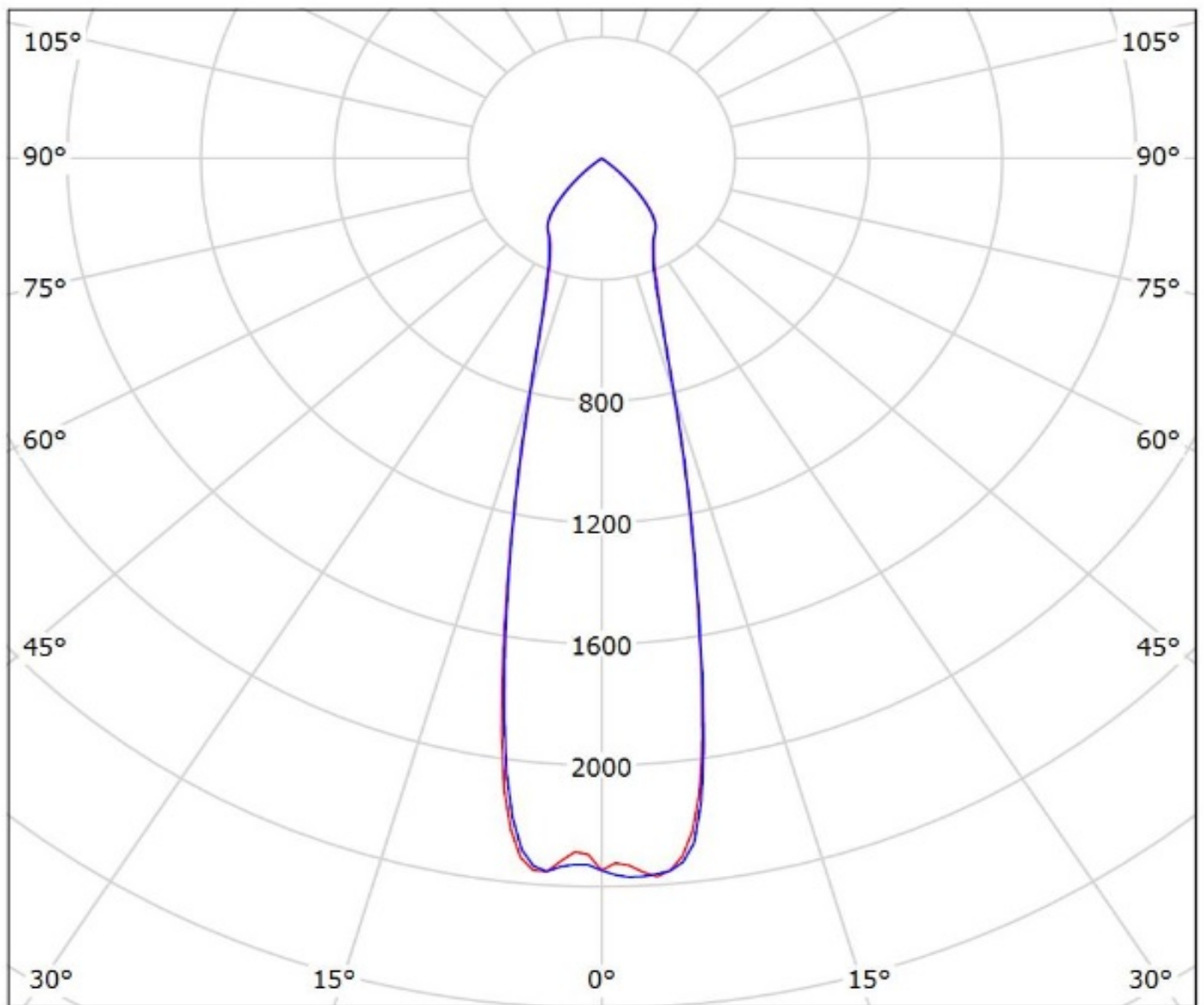
$\eta = 93\%$

Luminaire: Ledil F14738_BROOKE-G2-S_(MJT_12W_Les9,8)+HEKLA-SOCKET-C
Lamps: 1 x Seoul_MJT_12W_Les9.8mm_(SAWx1063A)_1269.11lm@250mA_P=8.415W_I=0.25A



Luminaire: Ledil Oy PRELIMINARY_F14738_BROOKE-G2-S+_F15859_HEKLA-SOCKET-I_ (SLE_G6_LES15)_SIMULATED

Lamps: 1 x Tridonic SLE G6 LES15 + F15859_HEKLA-SOCKET-I

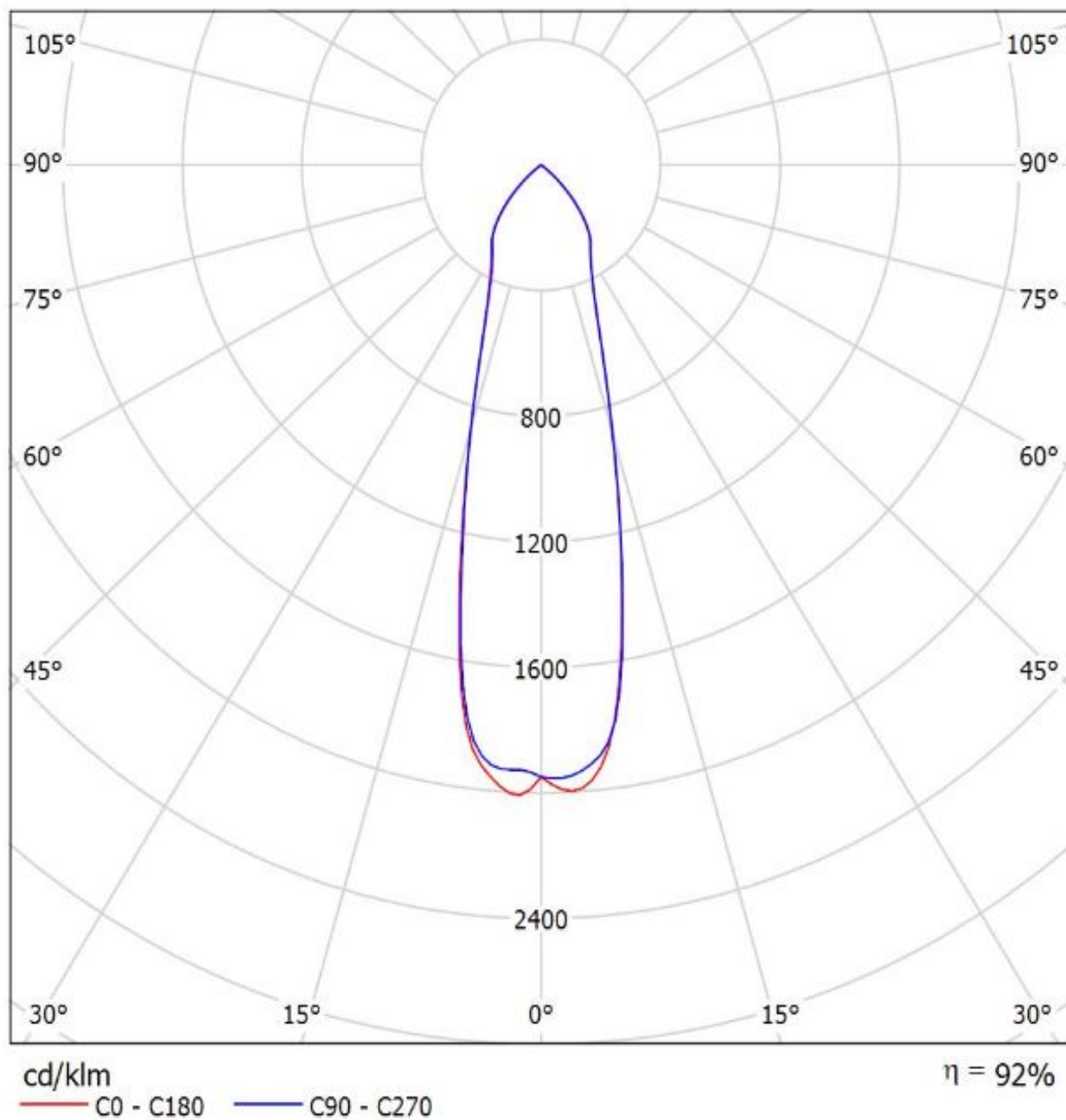


cd/klm

— C0 - C180 — C90 - C270

$\eta = 92\%$

Luminaire: Ledil Oy F14738_BROOKE-G2-S+_F15859_HEKLA-SOCKET-I_TRIDONIC_SLE_G6_LES17_SIMULATED
Lamps: 1 x TRIDONIC SLE G6 LES17



NOTE: The typical divergence will be changed by different color, chip size and chip position tolerance. The typical total divergence is the full angle measured where the luminous intensity is half of the peak value.

GENERAL INFORMATION

- Product series especially designed & optimized for series of LEDs.
- Special care taken to make light distribution as uniform as possible.

Note! Due to use of high power COB's with this product, special attention to proper thermal design is highly recommended. LEDiL has no liability for direct, indirect or consecutive damages arising from the LEDiL products being used outside of the recommended temperature range.