



# PRODUCT DATASHEET

## Laura series

last update 9/7/2013

### DETAILS

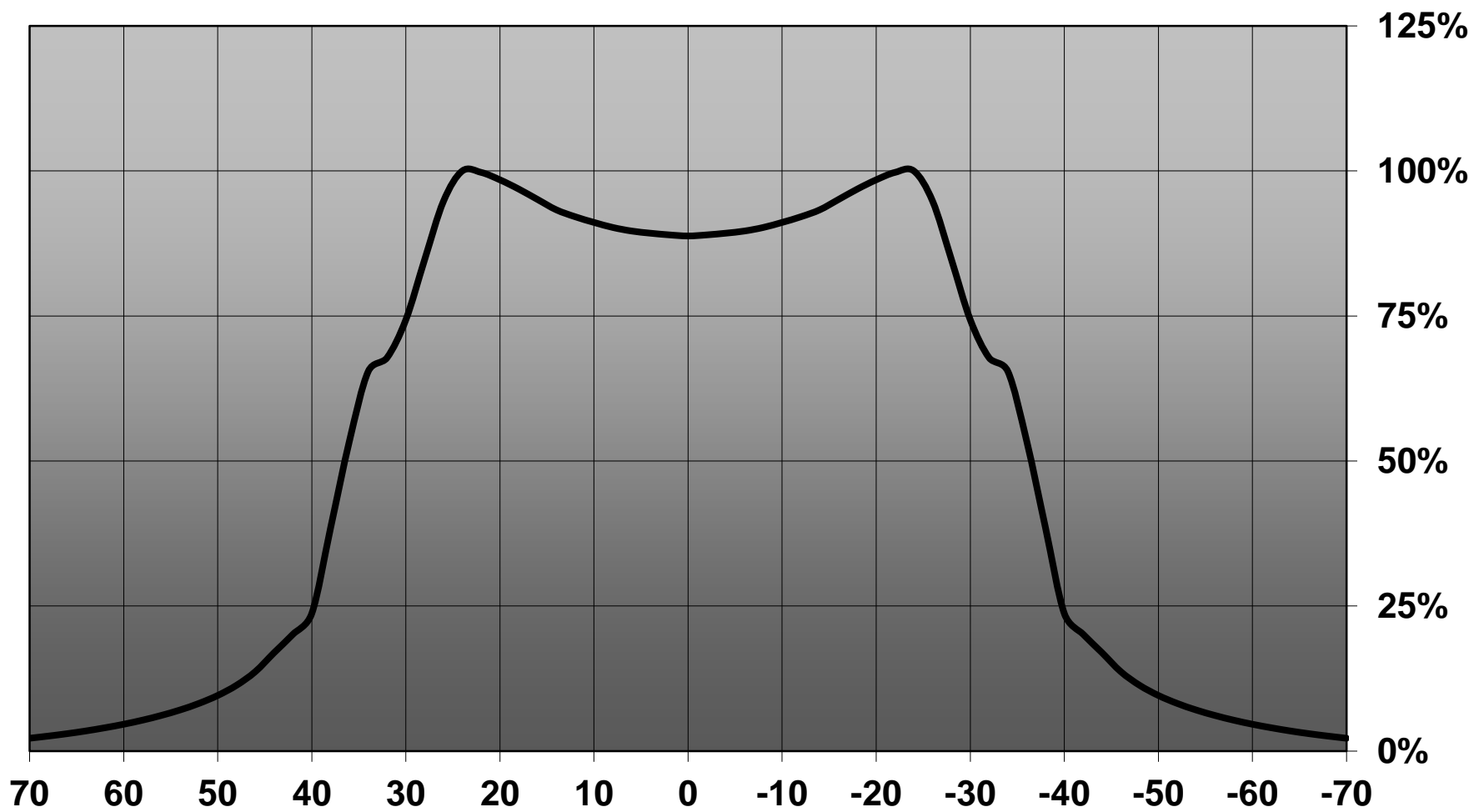
<b>Product Number</b>	CA12984_LAURA-R-XW-PIN
<b>Family</b>	Laura
<b>Type</b>	RefAssy
<b>Color</b>	white
<b>Diameter</b>	21,6 x 21,6 mm
<b>Height</b>	13,1 mm
<b>Style</b>	square
<b>Optic Material</b>	
<b>Holder Material</b>	
<b>Fastening</b>	tape, pin
<b>Status</b>	production ready
<b>ROHS Compliant</b>	Yes
<b>Date Updated</b>	9/07/2013



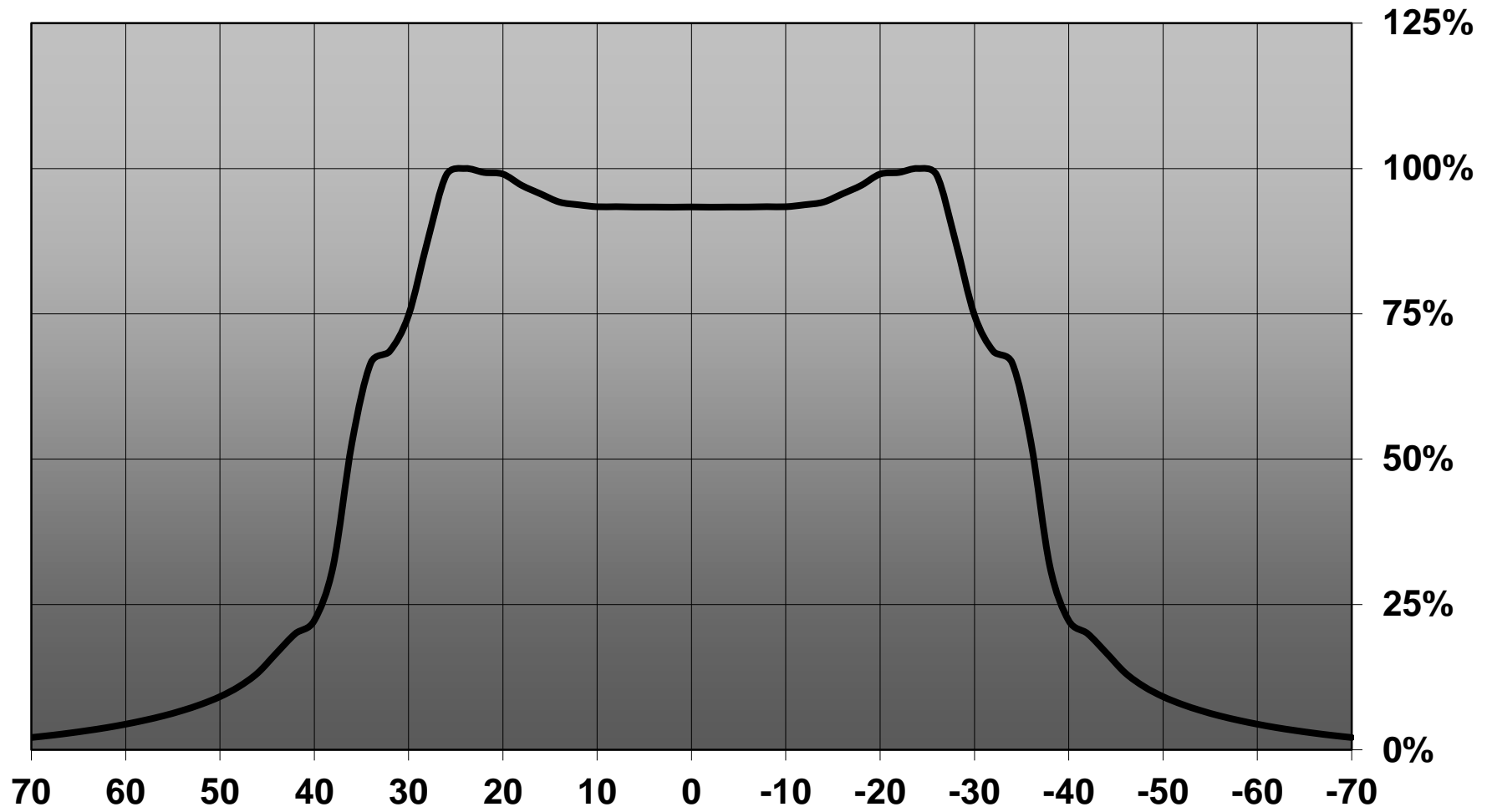
### OPTICAL PROPERTIES

LED	Viewing Angle	Light Beam	Efficiency	cd/lm	Connector
XP-G	72 deg	WWW-class	86 %	0.590	-
XP-E	72 deg	WWW-class	86 %	0.600	-

Relative intensity of CA12984\_LAURA-REF-XW-PIN

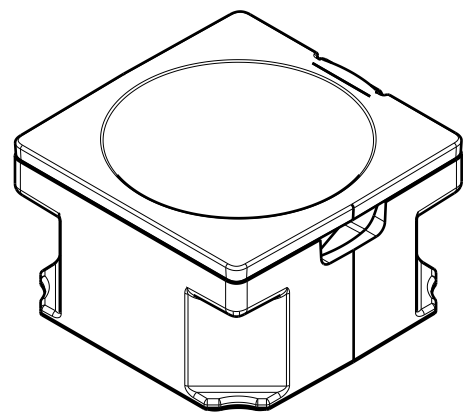
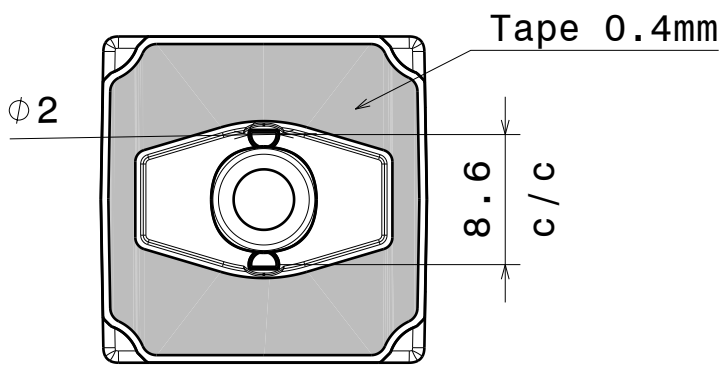


Relative intensity of CA12984\_LAURA-REF-XW-PIN  
(XP-E)



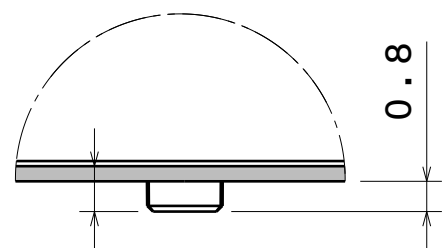
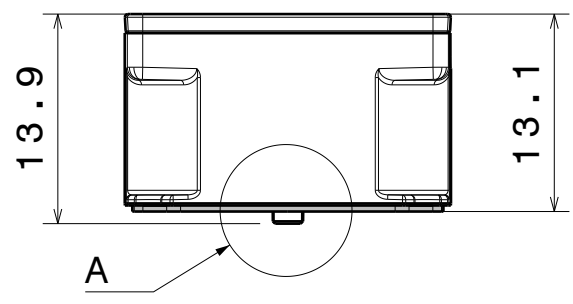
D C B A

4



Isometric view  
Scale: 2:1

3



Detail A  
Scale: 5:1

2



Materials

Reflector: PC, high reflective white  
Holder: PC, white  
Tape: PU Foam

This drawing is our property.  
It can't be reproduced  
or communicated without  
our written agreement.



Ledil Oy  
Salorankatu 10  
FIN 24240 SALO  
Finland

DRAWING TITLE

DRAWN BY  
**as**

DATE  
3.8.2012

**LAURA-REF-XW-PIN**

CHECKED BY  
-

DATE  
-

SIZE  
**A4**

PART NUMBER

REV  
**001**

DESIGNED BY  
-

DATE  
-

SCALE **2:1**

WEIGHT

SHEET **1/1**

1

1

D

A

**NOTE: The typical divergence will be changed by different color, chip size and chip position tolerance. The typical total divergence is the full angle measured where the luminous intensity is half of the peak value.**