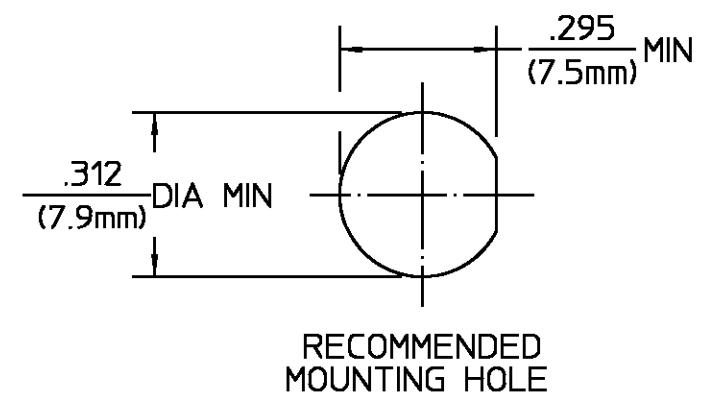
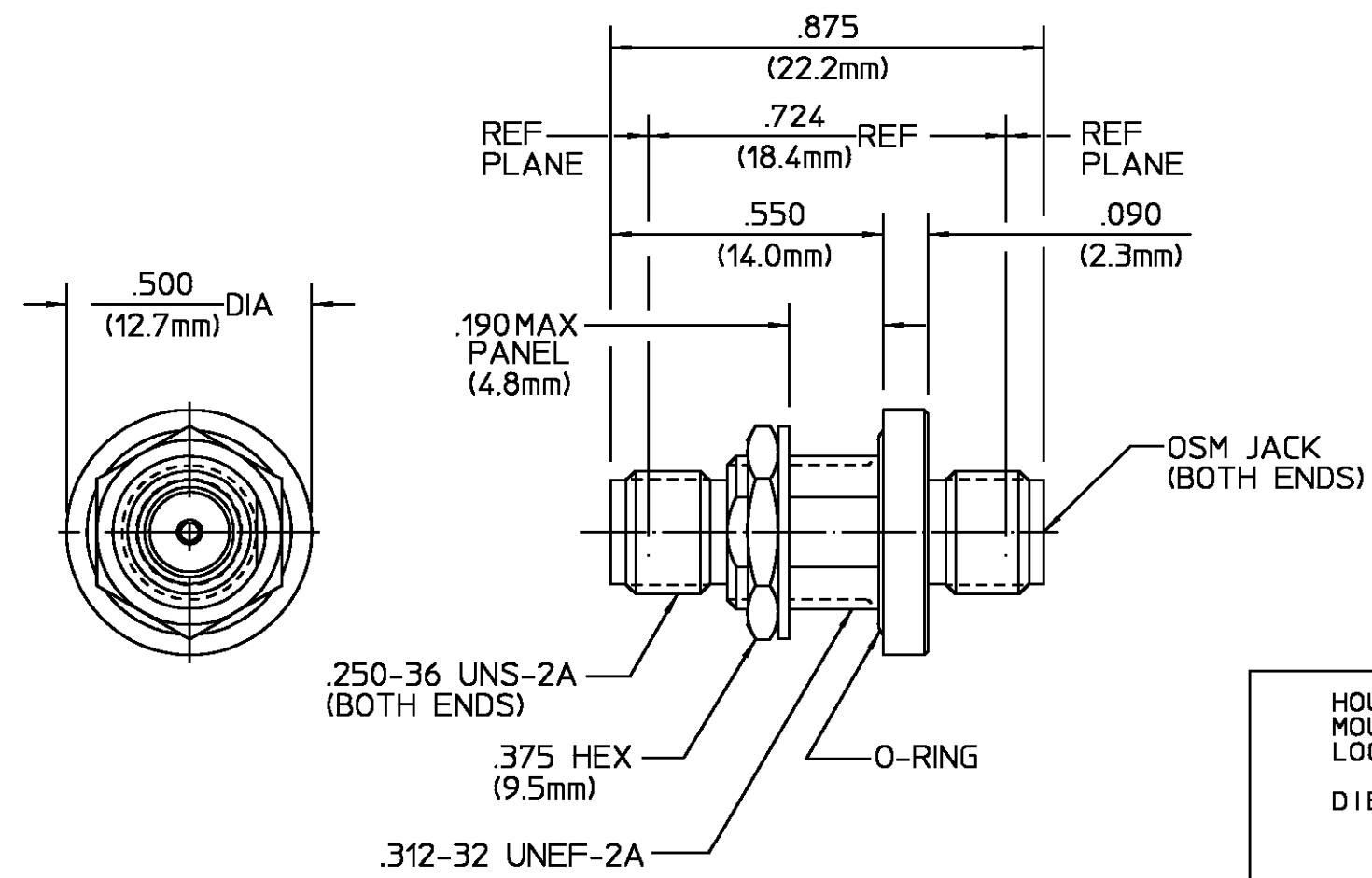


| REVISIONS | | | |
|-----------|---------------------------|---------|----------|
| REV | DESCRIPTION | DATE | APPROVED |
| A1 | REVISED PER ECO-11-005294 | 14APR11 | HMR |



| | | |
|---------------------------------|---|--|
| HOUSING MOUNTING NUT LOCKWASHER | STAINLESS STEEL PER ASTM-A484 AND ASTM-A582, TYPE 303 | GOLD PLATE PER MIL-G-45204 OVER NICKEL PLATE PER QQ-N-290 |
| DIELECTRIC | TFE FLUOROCARBON PER MIL-P-19468 AND FED SPEC L-P-403 | N/A |
| CENTER CONTACT | BERYLLIUM COPPER PER QQ-C-530, ALLOY 173 | GOLD PLATE PER MIL-G-45204 OVER COPPER PLATE PER MIL-C-14550 |
| CONTACT EXT. | IRON-NICKEL ALLOY PER MIL-I-23011 CLASS 2 | GOLD PLATE PER MIL-G-45204 OVER NICKEL PLATE PER QQ-N-290 |
| O-RING | EPM PER ASTM-D2000-70 | N/A |
| HERMETIC SEAL | GLASS BEAD | N/A |

| ELECTRICAL | MECHANICAL | ENVIRONMENTAL |
|--|---|---|
| Nominal Impedance (Ohms) <u>50</u> | Interface Dimensions MIL-STD-348A, Fig. 310.2 | Temperature Rating <u>-65°C to +165°C</u> |
| Frequency Range (GHz) <u>DC to 18.0</u> | Recommended Mating Torque <u>7 to 10 In-Lbs</u> | Vibration MIL-STD-202, Method 204, Condition D |
| Volt Rating (VRMS MAX) @ Sea Level <u>335</u> | Mating Characteristics: | Shock MIL-STD-202, Method 213, Condition I |
| VSWR <u>1.10 + .010 f(GHz)</u> | Insertion (MAX Lbs) <u>3.0</u> | Thermal Shock MIL-STD-202, Method 107, Condition C |
| Insertion Loss (dB MAX) <u>.15√f(GHz)</u> | Withdrawal (MIN Oz) <u>1.0</u> | Moisture Resistance MIL-STD-202, Method 106 |
| RF Leakage (dB MIN) <u>-90</u> | Force to Engage and Disengage (In-Lbs MAX) <u>2.0</u> | Corrosion - MIL-STD-202, Method 101, Condition B, 5% salt spray |
| Corona, 70,000 Ft (VRMS MIN) <u>250</u> | Center Contact Captivation | |
| Dielectric Withstanding Voltage (VRMS MIN) @ Sea Level <u>1000</u> | Axial (Lbs) <u>6.0</u> | |
| Contact Resistance (Milliohms MAX) | Radial (In-Oz) <u>N/A</u> | |
| Center Contact <u>12.0</u> | Seal: | |
| Outer Contact <u>4.0</u> | Hermetic: <u>1 x 10⁻⁷ cc/sec</u> | |
| RF High Potential @ Sea Level (VRMS MIN @ 5 MHz) <u>670</u> | Weatherproof: <u>30 psi MAX</u> | |
| I.R.(Megohms MIN) <u>5000</u> | Mounting Seal | |
| | Weight (Grams) | |

| COMPONENT | MATERIAL | FINISH |
|--|----------|--|
| UNLESS OTHERWISE SPECIFIED DIMENSIONS ARE IN INCHES TOLERANCE ON | | |
| FRAC. DEC. ANGLES ± 1/64 ±.005 ± 1° | | |
| DRAWN BY B.W.C. DATE 6-9-67 | | |
| CHECKED BY C.S.D. 1-14-68 | | |
| APP'D BY D.NANIA 1-15-68 | | |
| USE ASSY PROCEDURE | | TITLE OSM BULKHEAD FEEDTHRU JACK TO JACK ADAPTER-HERMETIC SEAL |
| NO. AP <u>N/A</u> | | SIZE B |
| CUSTOMER DRAWING | | CODE IDENT NO. 26805 |
| SCALE 3:1 | | 1054874-1 |
| | | REV A1 |
| | | SHEET 1 OF 1 |