

S and SR series

Washable rocker and paddle switches

Distinctive features and specifications



- Sealed**
 - Secure assembly of the two case parts
 - Internally sealed bushing
 - Epoxy sealed terminals
- Process compatible (S series)**
 - Wave solderable
 - Washable
- Optional ESD protection**

ELECTRICAL SPECIFICATIONS

- Max. current/voltage rating with resistive load :
 - silver contacts (A or 1) : 4A 30VDC
 - brass, gold plated contacts (CD or 0) : 0,4VA 20VAC or DC
 - silver, gold plated contacts (AD or 2) : 4A 30VDC (300mA 30VDC for gold plating)
- Initial contact resistance : 10 mΩ max.
- Insulation resistance : 1.000 MΩ min.
- Dielectric strength : 1.000 Vrms 50 Hz min.
- Electrical life with nominal load :

| Contacts | Number of cycles | |
|----------|------------------|-------------|
| | 2 positions | 3 positions |
| A or 1 | 40.000 | 40.000 |
| CD or 0 | 100.000 | 50.000 |
| AD or 2 | 40.000 | 40.000 |


MATERIALS

- Case and cover : UL94-V0, polyamide, glass filled or PES
- Actuator : polyamide
- Contacts
 - CD or 0** : brass, gold plated
 - A or 1** : silver
 - AD or 2** : silver, gold plated
- Terminal seal : epoxy

GENERAL SPECIFICATIONS

- Mechanical strength :
Terminals are strengthened by a bracket or a ground plate ensuring the rigidity of the switch on the board. Actuator strength is 10N max.
- Operating temperature : -20°C to +85°C
- Storage temperature : -40°C to +85°C
- Moisture :
The insulating materials employed and the complete seal permit the switches to withstand a 56 days moisture test (IEC 68-2-3).
- Soldering - thermal shock (S series only) :
The switches are especially designed for flow soldering at 260°C during 5 seconds owing to high temperature polymer parts.
- Iron soldering (SR series) : 300°C 5 sec. max.
- Solderability : The switches are tested at 235°C according to IEC 68-2-20 after accelerated aging.

AGENCY APPROVALS

 2A 250VAC
4A 125VAC

Availability : consult factory for details of approved models.

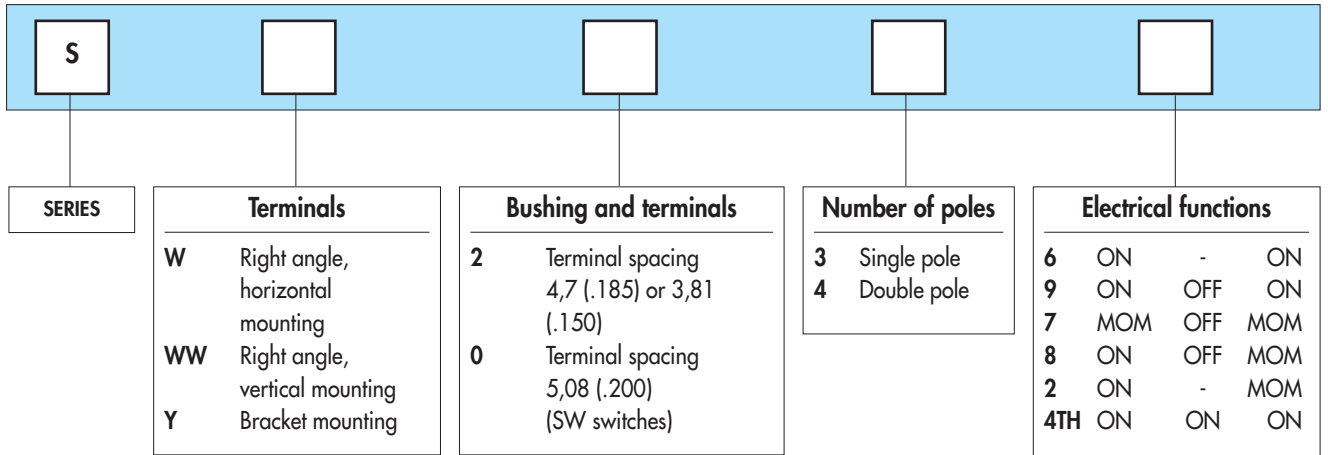
Marking : to order switches marked UL, complete appropriate box of ordering format.

S series

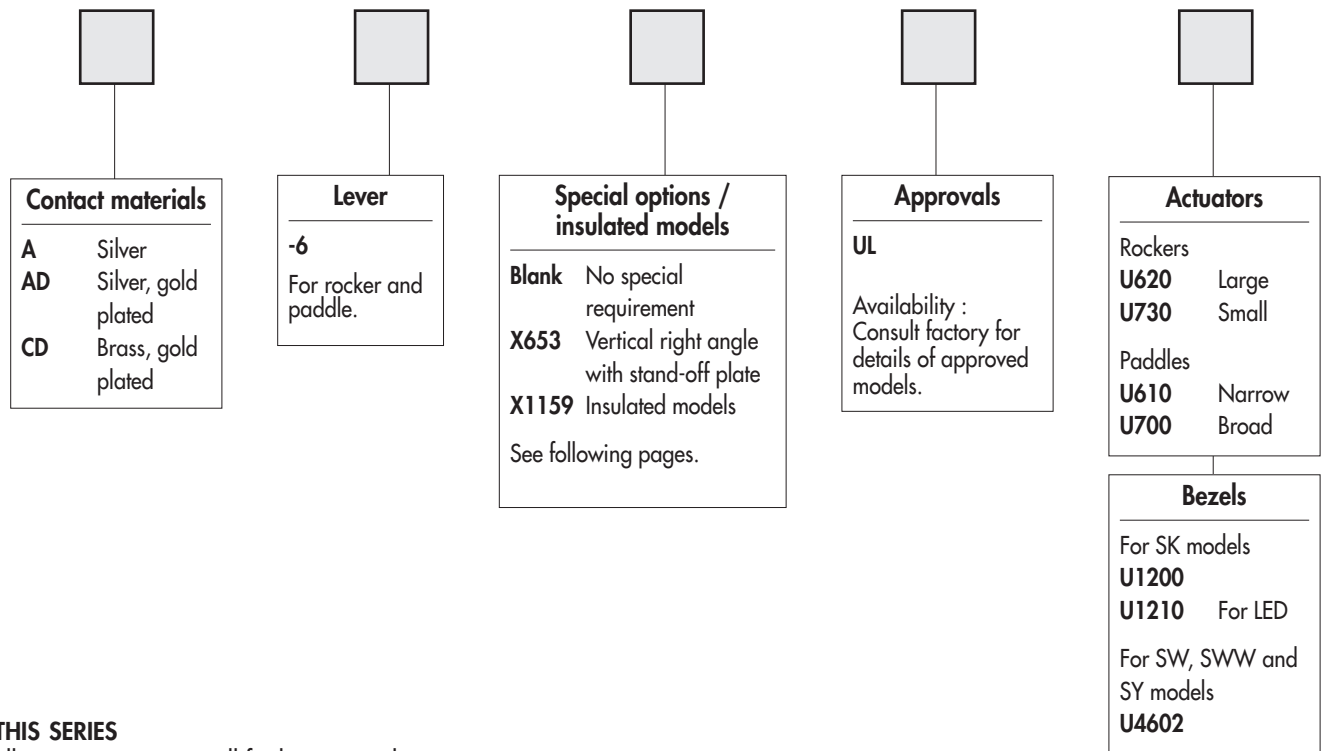
Washable rocker and paddle switches

Overview

MODEL
STRUCTURE



OPTIONS



ABOUT THIS SERIES

On the following pages, you will find successively :

- model structure of switches
- options in the same order as above

Specifications are on previous page.

Dimensions : first dimensions are in mm while inches are shown as bracketed numbers.



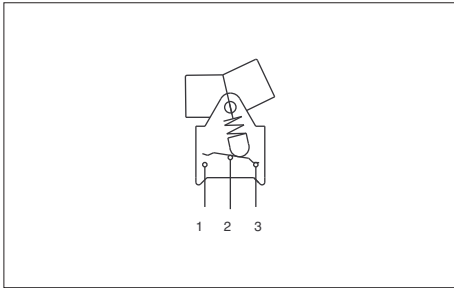
NOTICE : please note that not all combinations of above numbers are available. Refer to the following pages for further information.



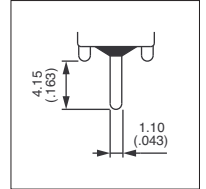
Packaging unit : 25 pieces to 50 pieces depending on models.

S series

Washable rocker and paddle switches



- Straight PC or right angle terminals
- Models with snap-in mounting (SK)
- Terminal spacing 4,7 (.185) or 5,08 (.200) on SW switches
- 1 and 2 pole configurations



MODEL STRUCTURE



Shown with rocker U620

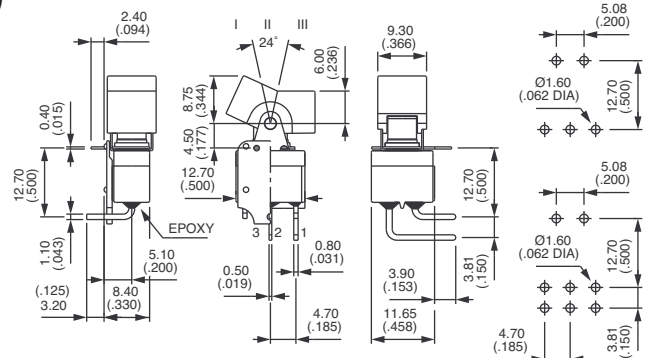
Right angle terminals - horizontal - spacing 4,7 (.185)



Single pole

Double pole

| | III | II | I |
|---------|-----|-----|-----|
| SW236-6 | ON | - | ON |
| SW239-6 | ON | OFF | ON |
| SW237-6 | MOM | OFF | MOM |
| SW238-6 | ON | OFF | MOM |
| SW232-6 | ON | - | MOM |
| | ON | ON | ON |



Single pole with stand-off plate, double pole without.

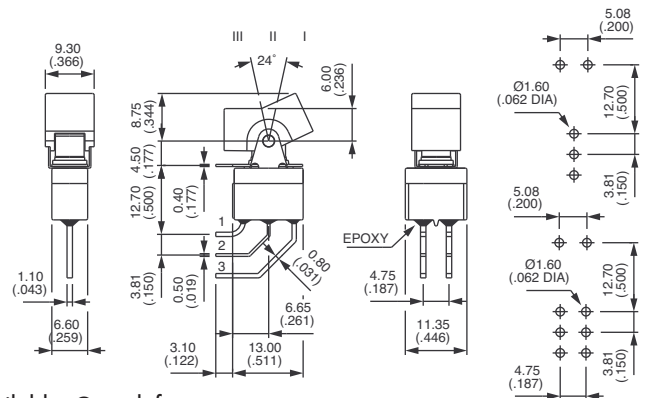
Right angle terminals - vertical



Single pole

Double pole

| | III | II | I |
|----------|-----|-----|-----|
| SWW236-6 | ON | - | ON |
| SWW239-6 | ON | OFF | ON |
| SWW237-6 | MOM | OFF | MOM |
| SWW238-6 | ON | OFF | MOM |
| SWW232-6 | ON | - | MOM |
| | ON | ON | ON |



** Functions 2 and 8 : reversed connection available. Consult factory.

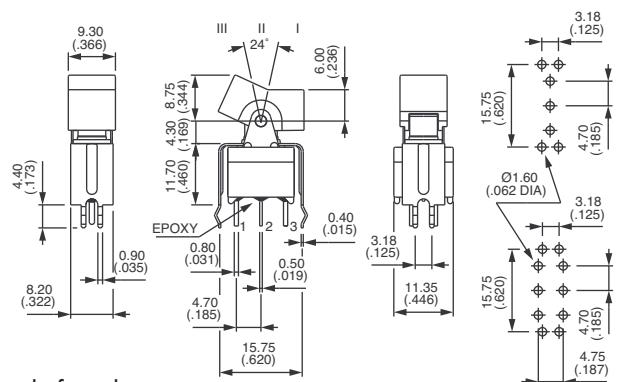
Bracket mounting



Single pole

Double pole

| | III | II | I |
|---------|-----|-----|-----|
| SY236-6 | ON | - | ON |
| SY239-6 | ON | OFF | ON |
| SY237-6 | MOM | OFF | MOM |
| SY238-6 | ON | OFF | MOM |
| SY232-6 | ON | - | MOM |
| | ON | ON | ON |



* Function 4 : SP in DP case - TH connection, see end of catalogue.

S series

Washable rocker and paddle switches

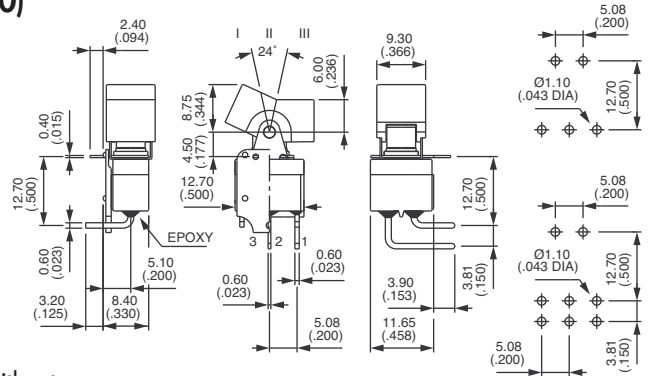


Right angle terminals - horizontal - spacing 5,08 (.200)



Single pole Double pole

| | III | II | I |
|------------|-----|-----|-----|
| SW036-6 | ON | - | ON |
| SW039-6 | ON | OFF | ON |
| SW037-6 | MOM | OFF | MOM |
| SW038-6 | ON | OFF | MOM |
| SW032-6 | ON | - | MOM |
| SW044TH-6* | ON | ON | ON |



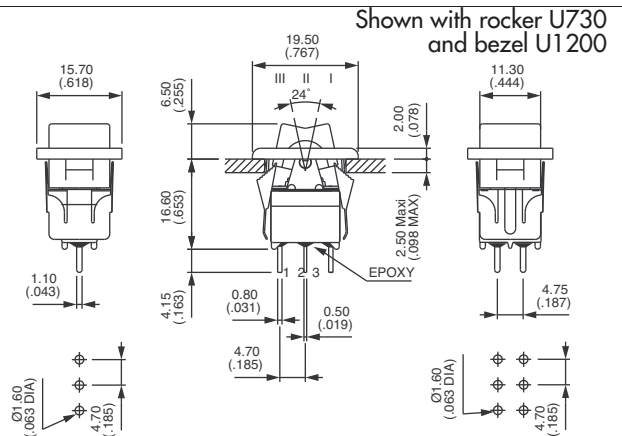
Single pole with stand-off plate, double pole without.

Straight PC terminals - snap-in mounting



Single pole Double pole

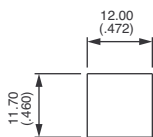
| | III | II | I |
|------------|-----|-----|-----|
| SK236-6 | ON | - | ON |
| SK239-6 | ON | OFF | ON |
| SK237-6 | MOM | OFF | MOM |
| SK238-6 | ON | OFF | MOM |
| SK232-6 | ON | - | MOM |
| SK244TH-6* | ON | ON | ON |



Shown with rocker U730 and bezel U1200

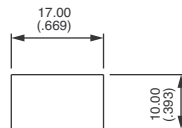
* Function 4 : SP in DP case - TH connection, see end of catalogue.

PANEL CUT-OUT



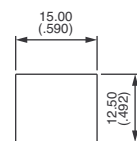
With rocker **U730**
or paddle **U700**

17.00



With rocker **U620**
or paddle **U610**

For SK only

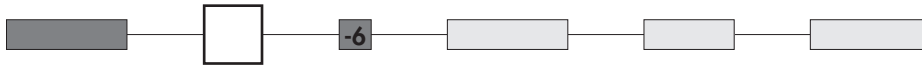




S series

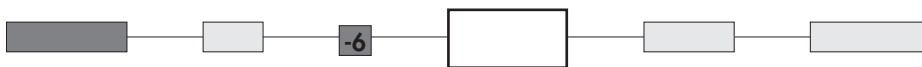
Washable rocker and paddle switches

CONTACT MATERIALS



- A Silver
- AD Silver, gold plated
- CD Brass, gold plated

SPECIAL OPTIONS / INSULATED MODELS



X653 Vertical right angle with stand-off plate

Shown with rocker U620

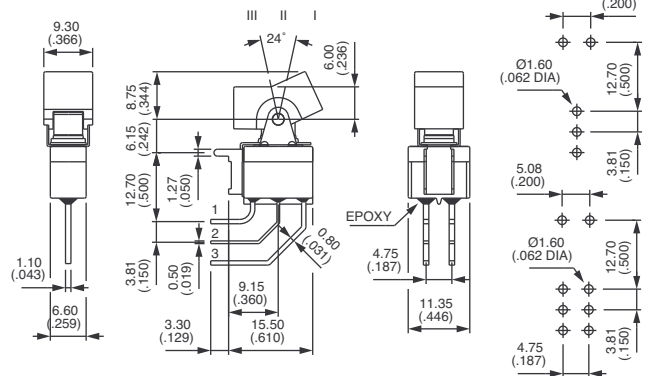


Single pole

| | III | II | I |
|---------------|-----|-----|-----|
| SWW236-6 X653 | ON | - | ON |
| SWW239-6 X653 | ON | OFF | ON |
| SWW237-6 X653 | MOM | OFF | MOM |
| SWW238-6 X653 | ON | OFF | MOM |
| SWW232-6 X653 | ON | - | MOM |

Double pole

| | | | |
|------------------|-----|-----|-----|
| SWW246-6 X653 | ON | - | ON |
| SWW249-6 X653 | ON | OFF | ON |
| SWW247-6 X653 | MOM | OFF | MOM |
| SWW248-6 X653** | ON | OFF | MOM |
| SWW242-6 X653** | ON | - | MOM |
| SWW244TH-6 X653* | ON | ON | ON |



* Function 4 : SP in DP case - TH connection, see end of catalogue.

** Functions 2 and 8 : reversed connection available. Consult factory.

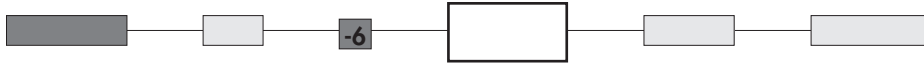
- X601** Silver plated brass contacts
Current/voltage rating for an electrical life of 20.000 cycles : 0,5A 30VDC
Minimum quantity : 5.000 per type and shipment.

S series


Washable rocker and paddle switches



SPECIAL OPTIONS / INSULATED MODELS (continued)

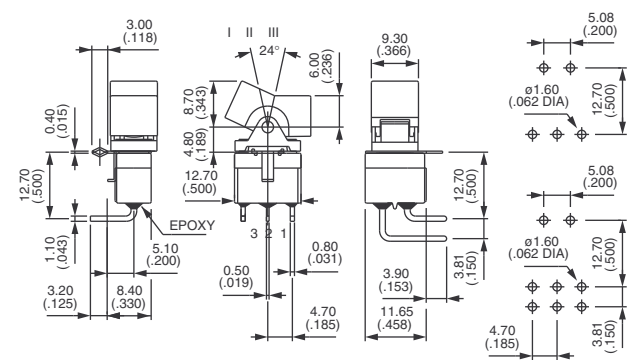


X1159 Insulated model protected against E.S.D. up to 12 KV - Horizontal right angle




| | III | II | I |
|------------------|-----|-----|-----|
| Single pole | | | |
| SW236-6 X1159 | ON | - | ON |
| SW239-6 X1159 | ON | OFF | ON |
| SW237-6 X1159 | MOM | OFF | MOM |
| SW238-6 X1159 | ON | OFF | MOM |
| SW232-6 X1159 | ON | - | MOM |
| Double pole | | | |
| SW246-6 X1159 | ON | - | ON |
| SW249-6 X1159 | ON | OFF | ON |
| SW247-6 X1159 | MOM | OFF | MOM |
| SW248-6 X1159 | ON | OFF | MOM |
| SW242-6 X1159 | ON | - | MOM |
| SW244TH-6 X1159* | ON | ON | ON |

Shown with rocker U620

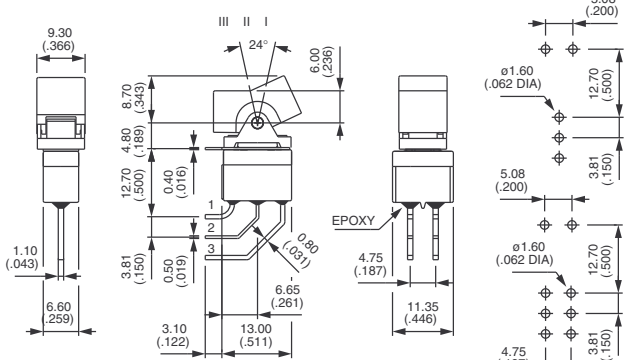


X1159 Insulated model protected against E.S.D. up to 12 KV - Vertical right angle




| | III | II | I |
|-------------------|-----|-----|-----|
| Single pole | | | |
| SWW236-6 X1159 | ON | - | ON |
| SWW239-6 X1159 | ON | OFF | ON |
| SWW237-6 X1159 | MOM | OFF | MOM |
| SWW238-6 X1159 | ON | OFF | MOM |
| SWW232-6 X1159 | ON | - | MOM |
| Double pole | | | |
| SWW246-6 X1159 | ON | - | ON |
| SWW249-6 X1159 | ON | OFF | ON |
| SWW247-6 X1159 | MOM | OFF | MOM |
| SWW248-6 X1159** | ON | OFF | MOM |
| SWW242-6 X1159** | ON | - | MOM |
| SWW244TH-6 X1159* | ON | ON | ON |

Shown with rocker U620

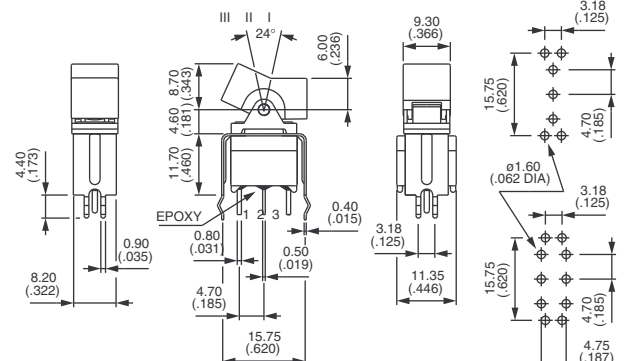


X1159 Insulated model protected against E.S.D. up to 12 KV - Straight PC terminals - bracket mounting



| | III | II | I |
|------------------|-----|-----|-----|
| Single pole | | | |
| SY236-6 X1159 | ON | - | ON |
| SY239-6 X1159 | ON | OFF | ON |
| SY237-6 X1159 | MOM | OFF | MOM |
| SY238-6 X1159 | ON | OFF | MOM |
| SY232-6 X1159 | ON | - | MOM |
| Double pole | | | |
| SY246-6 X1159 | ON | - | ON |
| SY249-6 X1159 | ON | OFF | ON |
| SY247-6 X1159 | MOM | OFF | MOM |
| SY248-6 X1159** | ON | OFF | MOM |
| SY242-6 X1159** | ON | - | MOM |
| SY244TH-6 X1159* | ON | ON | ON |

Shown with rocker U620



* Function 4 : SP in DP case - TH connection, see end of catalogue. ** Functions 2 and 8 : reversed connection available. Consult factory.

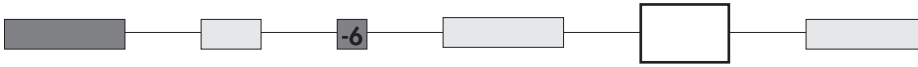
Above models available with all actuators shown on next page.



S series

Washable rocker and paddle switches

AGENCY APPROVAL

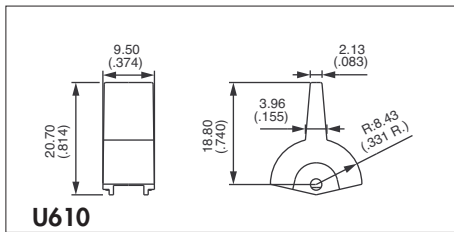
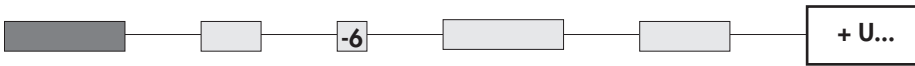


UL

Availability : consult factory for details of approved models.

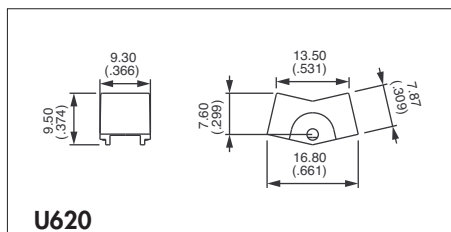
Marking : to order switches marked with the UL symbol, complete above box with "UL".
Blank : no agency approval required.

ACTUATORS



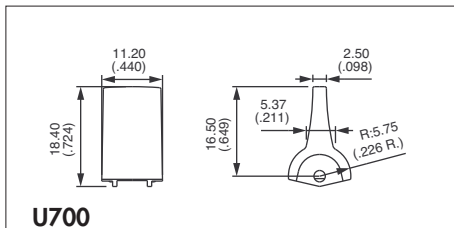
U610

Narrow paddle



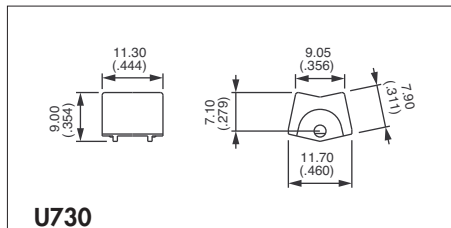
U620

Large rocker



U700

Broad paddle



U730

Small rocker

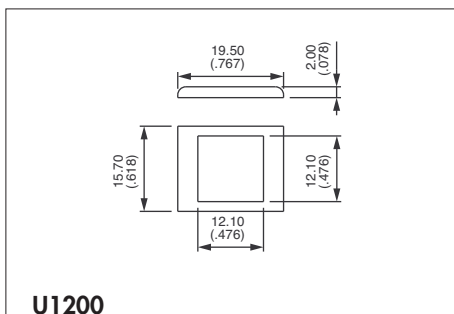
| Actuator colours | |
|----------------------------|-----------|
| Replace last "0" by number | |
| 1 | blue |
| 1/4 | dark blue |
| 2 | black |
| 3 | green |
| 4 | grey |
| 5 | yellow |
| 6 | red |
| 7 | ivory |
| 7/1 | white |
| 9 | orange |



U610 and U620 not available on SK models

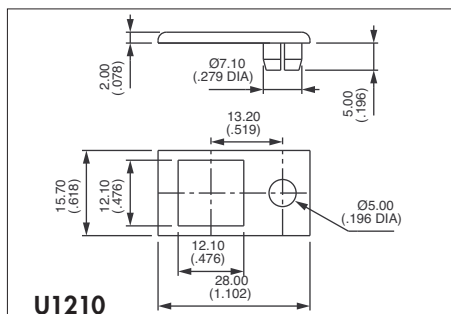
Bezels for SK model (snap-in)

Add bezel part number to actuator part number.



U1200

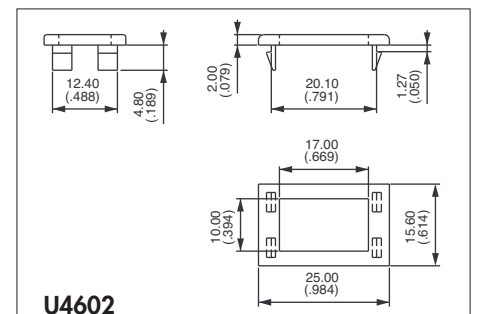
Bezel



U1210

Bezel for LED Ø 5 (.196) - not supplied

Bezel for SW - SWW and SY models



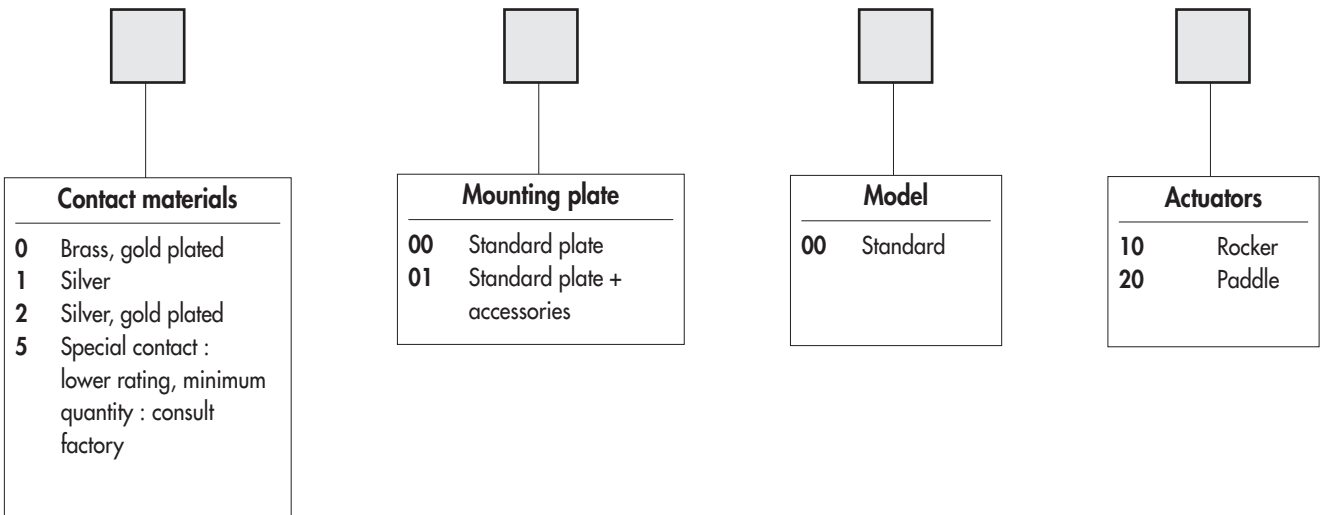
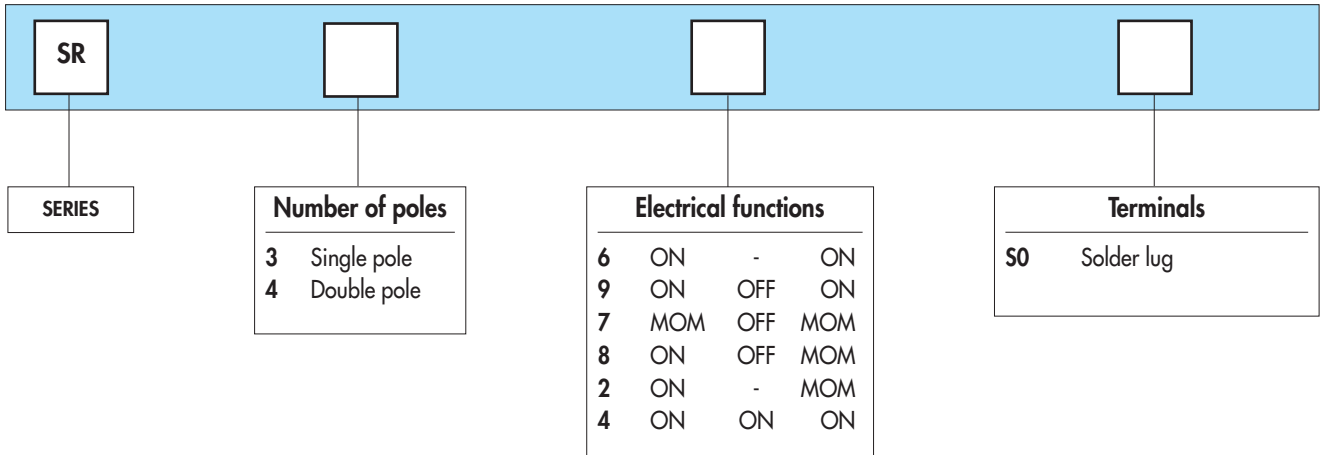
U4602

Black bezel - for rocker U620 only

SR series

Washable rocker and paddle switches

Overview



ABOUT THIS SERIES

On the following pages, you will find successively :

- model structure of switches
- options in the same order as above

Specifications are at the beginning of this section (S and SR series).

Dimensions : first dimensions are in mm while inches are shown as bracketed numbers.



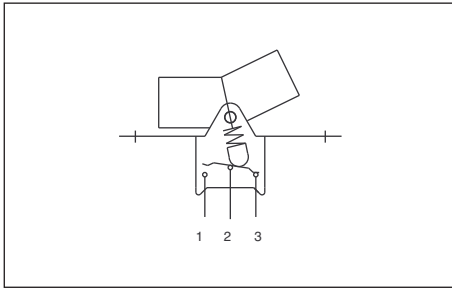
Packaging unit : 20 pieces.



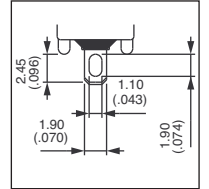
SR series

Washable rocker and paddle switches

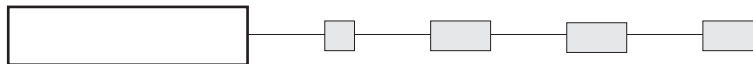
Solder lug terminals



- 1 and 2 pole configurations
- Iron soldering 300°C max. 5 seconds max.



MODEL
STRUCTURE



Shown with standard mounting plate (code 00)

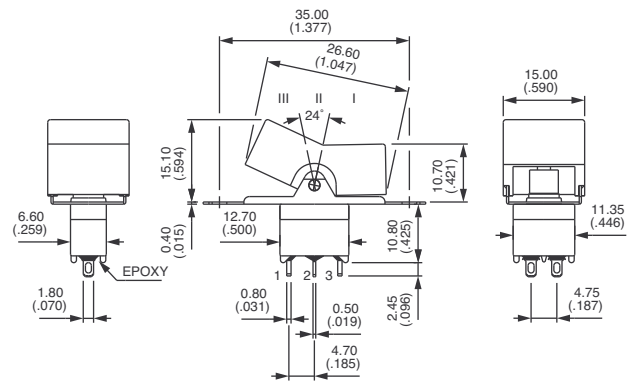
Solder lug terminals



Single pole Double pole

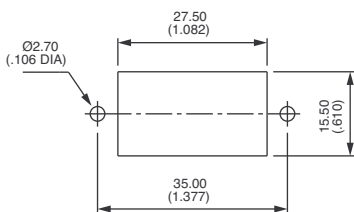
| | |
|--------|---------|
| SR36S0 | SR46S0 |
| SR39S0 | SR49S0 |
| SR37S0 | SR47S0 |
| SR38S0 | SR48S0 |
| SR32S0 | SR42S0 |
| | SR44S0* |

| III | II | I |
|-----|-----|-----|
| ON | - | ON |
| ON | OFF | ON |
| MOM | OFF | MOM |
| ON | OFF | MOM |
| ON | - | MOM |
| ON | ON | ON |



* Function 4 : SP in DP case - TH connection, see end of catalogue.

PANEL CUT-OUT

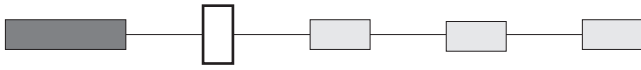


SR series

Washable rocker and paddle switches

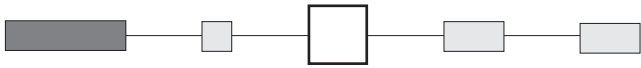


CONTACT MATERIALS

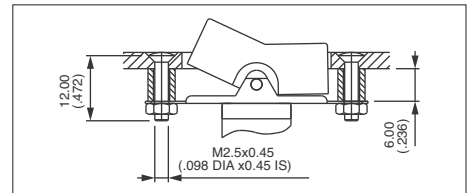


- 0 Brass, gold plated
- 1 Silver
- 2 Silver, gold plated
- 5 Special contact, lower rating, minimum quantity : consult factory.

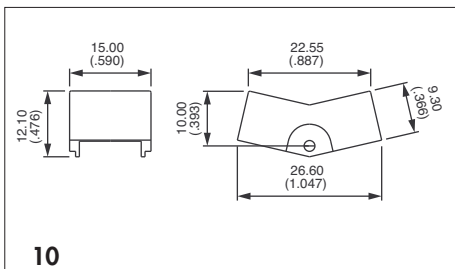
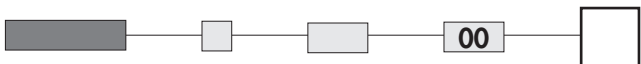
MOUNTING PLATE



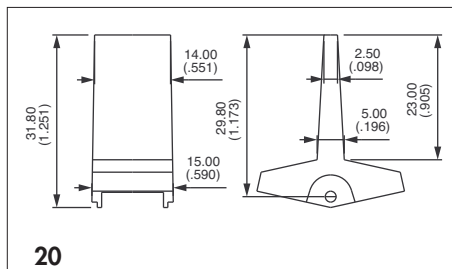
- 00 Standard mounting plate
- 01 Standard mounting plate + mounting accessories (spacers, screws and nuts)



ACTUATORS



10
Rocker



20
Paddle

| Actuator colours | |
|-----------------------|-----------|
| Replace "0" by number | |
| 1 | blue |
| 1/4 | dark blue |
| 2 | black |
| 3 | green |
| 4 | grey |
| 5 | yellow |
| 6 | red |
| 7 | ivory |
| 7/1 | white |
| 9 | orange |