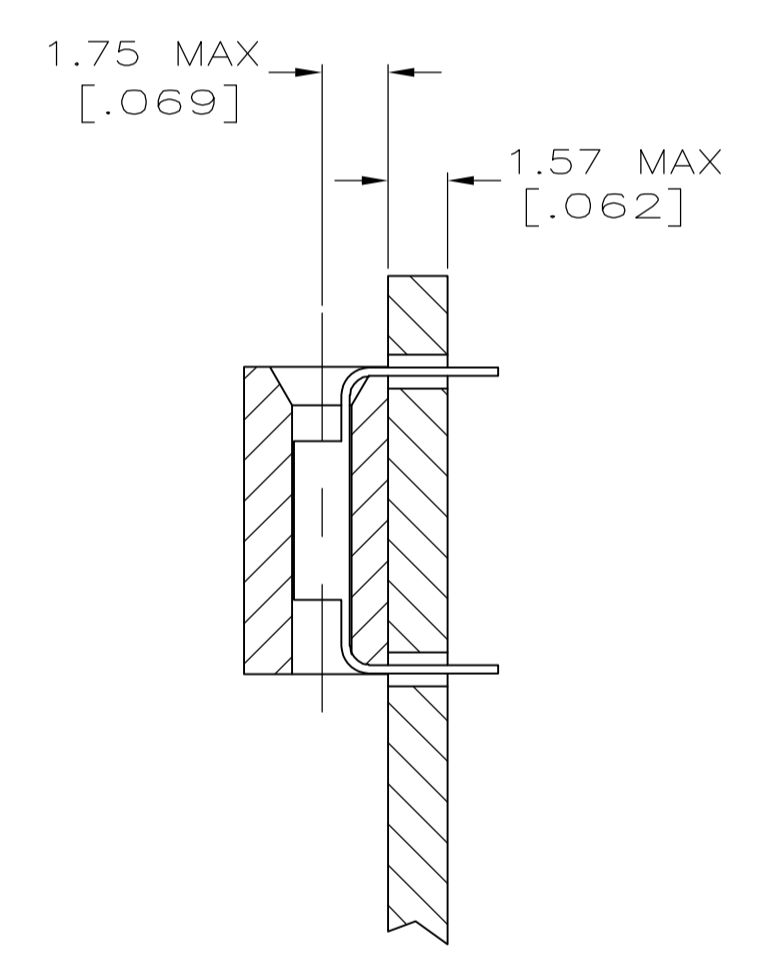
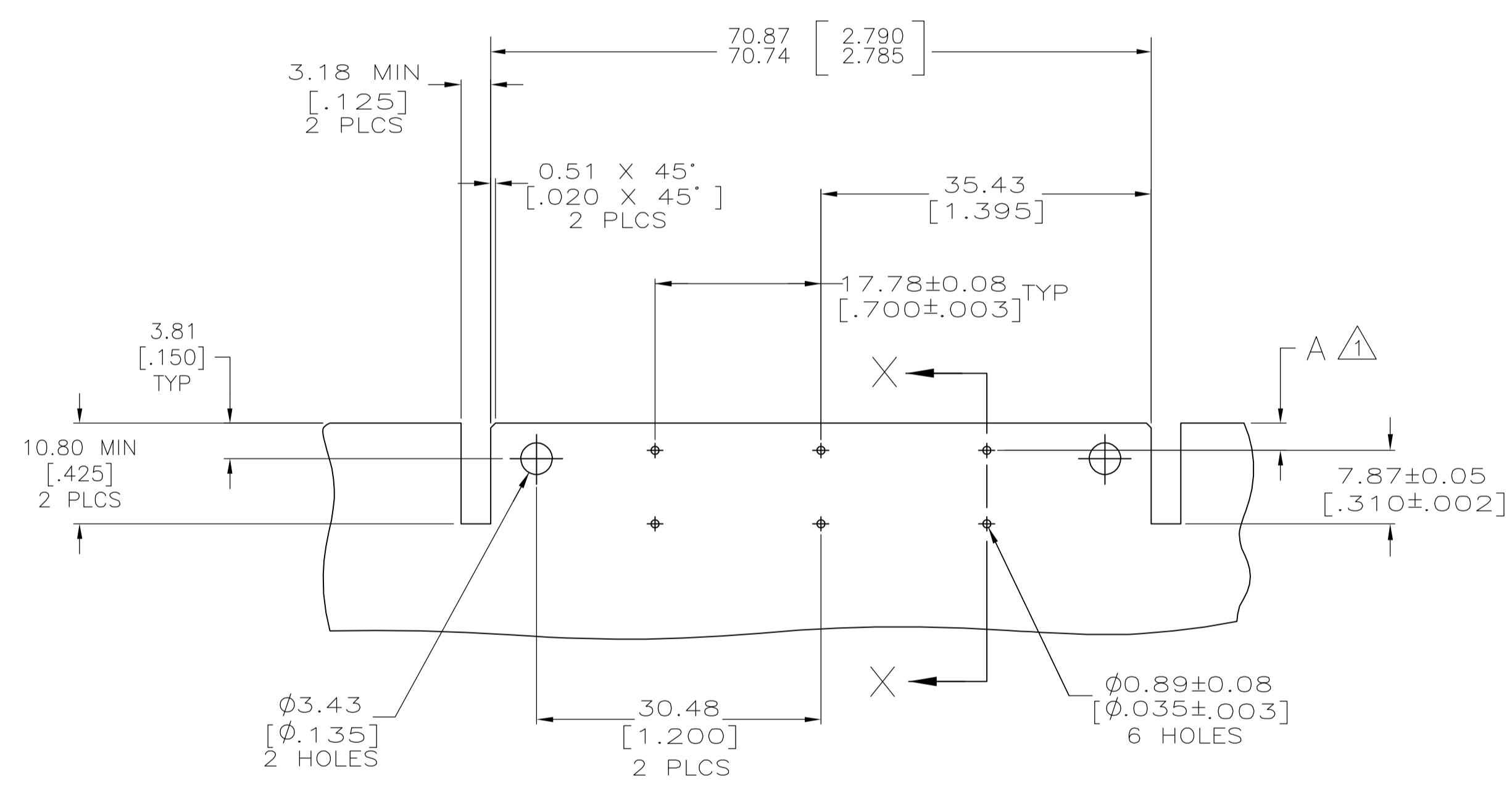
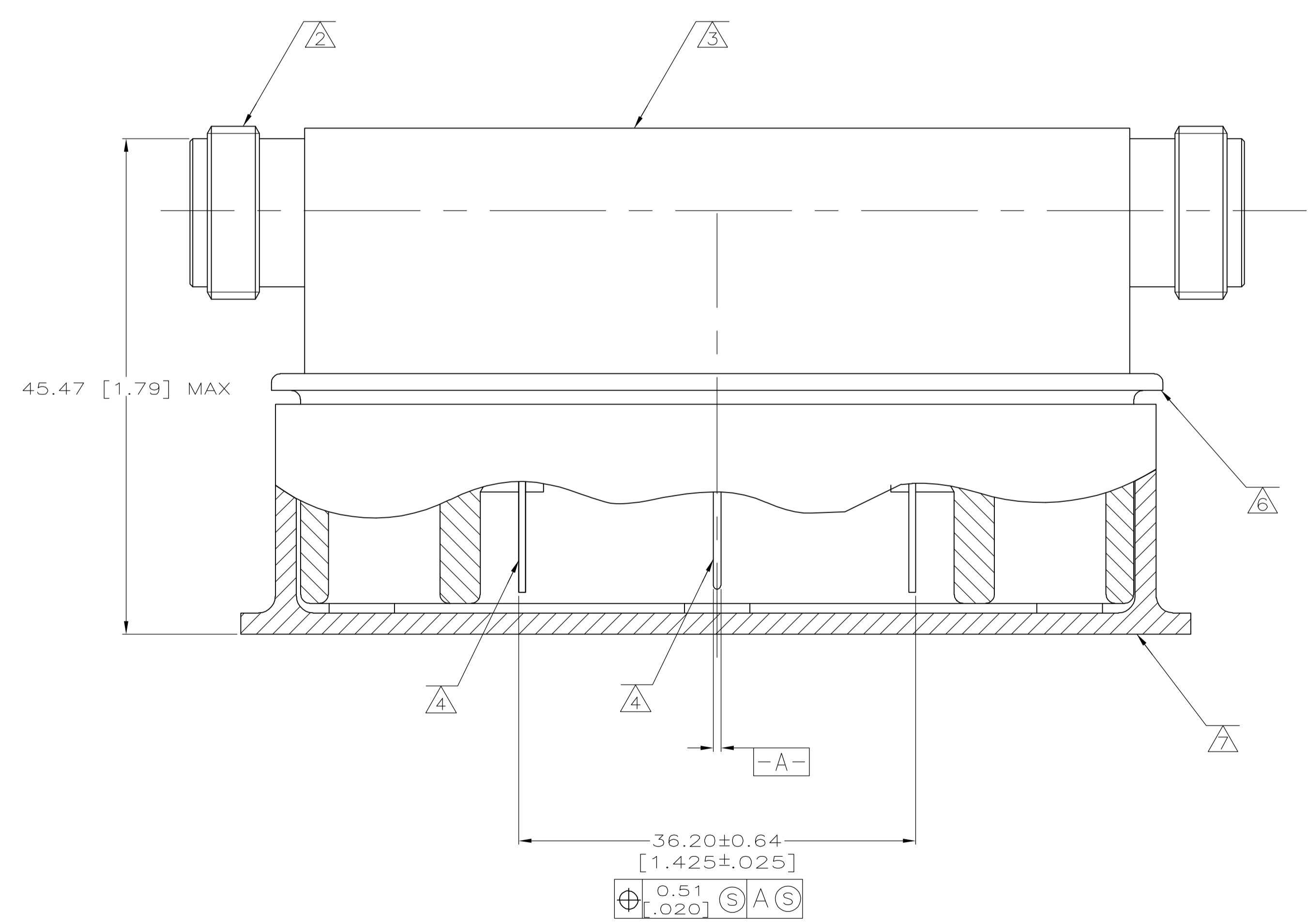
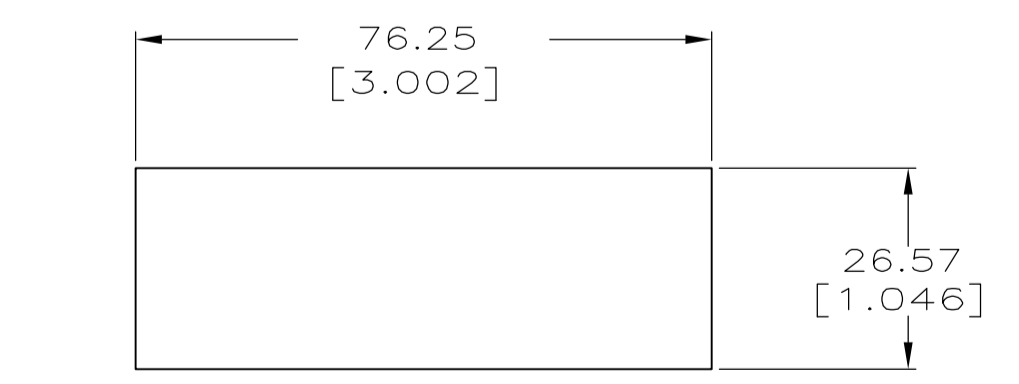


- ⚠ WHEN USING AMP MODU CONNECTOR SERIES 532965, A = 1.52 +0.13/-0.00 [.060 +.005/-0.000]
- ⚠ WHEN USING AMP MODU CONNECTOR SERIES 87854, A = 2.92 [.115]
- ⚠ SHELL: ZINC ALLOY, NICKEL PLATE
- ⚠ COVER: PVC, BLACK, UL94V-0 RATED
- ⚠ CONTACT & POSTS: PHOSPHOR BRONZE, GOLD PLATE
- ⚠ DIELECTRIC: POLYETHYLENE, NATURAL
- ⚠ BODY: POLYCARBONATE, BLACK, UL94V-0 RATED
- ⚠ DUST COVER: POLYPROPYLENE, WHITE OR BLACK



TRANSCEIVER BOARD LAYOUT  
SCALE 2:1

SECTION X-X  
WITH AMP MODU  
CONNECTOR ASSY  
SCALE 5:1



REQUIRED  
TRANSCEIVER OPENING  
SCALE 1:1

5221914-1  
PART NUMBER

THIS DRAWING IS A CONTROLLED DOCUMENT.		DWN R. HAMNER 3-15-96	10-19-05		Tyco Electronics Corporation Harrisburg, PA 17105-3608	
DIMENSIONS: mm [INCHES]		OK J. HAVENER 3-15-96			NAME J. HAVENER	
TOLERANCES UNLESS OTHERWISE SPECIFIED:		PRODUCT SPEC		ADAPTER, JACK, TAP, SERIES N		
0 PLC ± -		APPLICATION SPEC		SIZE CAGE CODE DRAWING NO		
1 PLC ± -		RESTRICTED TO		A1 00779 5221914		
2 PLC ± 0.13 [.005]		CUSTOMER DRAWING		SCALE 3:1 SHEET 1 OF 1 REV 0		
3 PLC ± -						
4 PLC ± -						
ANGLES ± -						
FINISH SEE NOTES						