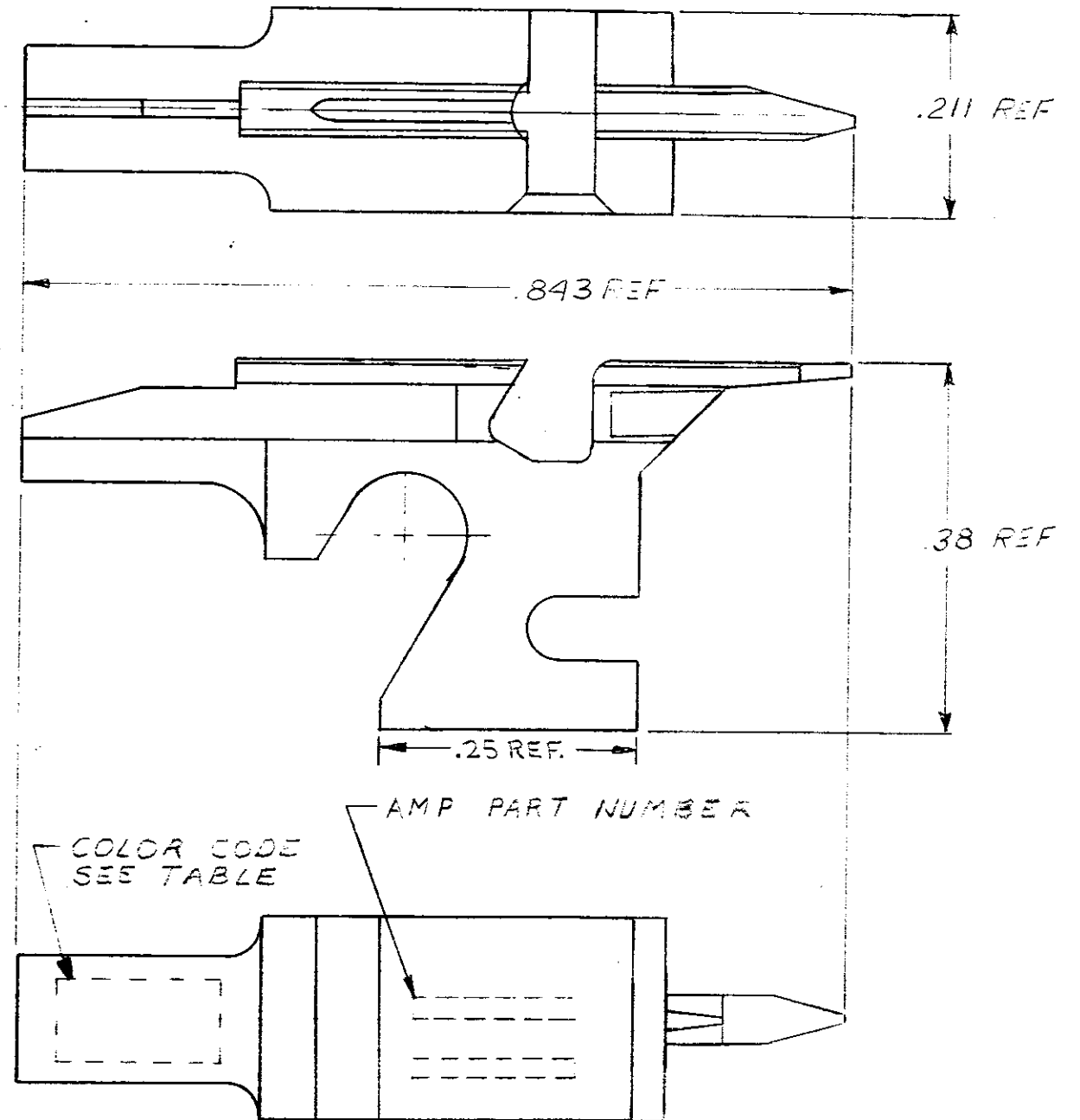


PART NUMBER	FIRST USED	AWG	INS. RANGE		COLOR CODE
			MAX	MIN	
69551	69525-1	28	.045	.026	BLACK
69551-1	69525-1	26	.045	.026	BROWN
69551-2	69525-1	24	.045	.026	RED
69551-4	69525-1	22	.045	.026	ORANGE
69551-5	69525-1	28	.045	.026	BLACK
69551-6	69525-1	26	.045	.026	BROWN
69551-7	69525-1	30	.045	.015	WHITE
69551-8	69525-1	22	.045	.026	ORANGE
69551-9	69525-1	24	.045	.026	RED
1-69551-0	69525-1	30	.045	.015	WHITE
1-69551-1	69525-1	24	.045	.026	RED
1-69551-2	69525-1	24	.045	.026	RED
1-69551-3	69525-1	28	.065	.055	BLACK



DIMENSIONS IN INCHES. DO NOT SCALE PRINT

PRINT JUST

DWG SIZE		NUMBER	NAME	REMARKS	ITEM NO
REQUIRED PER ASSEMBLY		©1966 BY AMP INCORPORATED. ALL RIGHTS RESERVED. AMP PRODUCTS COVERED BY PATENTS AND/OR PATENTS PENDING.			CUSTOMER COPY REFERENCE ONLY
DR	A. J. Vignik 8-31-66		MATERIAL AND FINISH	AMP INCORPORATED HARRISBURG, PENNA.	
CHK	J. J. J. 8-31-66		STEEL ELECTROLESS NICKEL	CLASS	
DE			WIRE - RANGE - INSULATION SEE TABLE, SEE TABLE	TYPE TERMI-POINT	
C REVISED		B.S.	TOLERANCE EXCEPT AS NOTED ± .015 ± 1° 0'	SCALE (~1)	LOC M
B REVISED		F.V.	NO 69551		REV C
A REVISED		P.L.	NAME MANDREL		
LTR	REVISION RECORD	DR	CHK	DATE	

69551