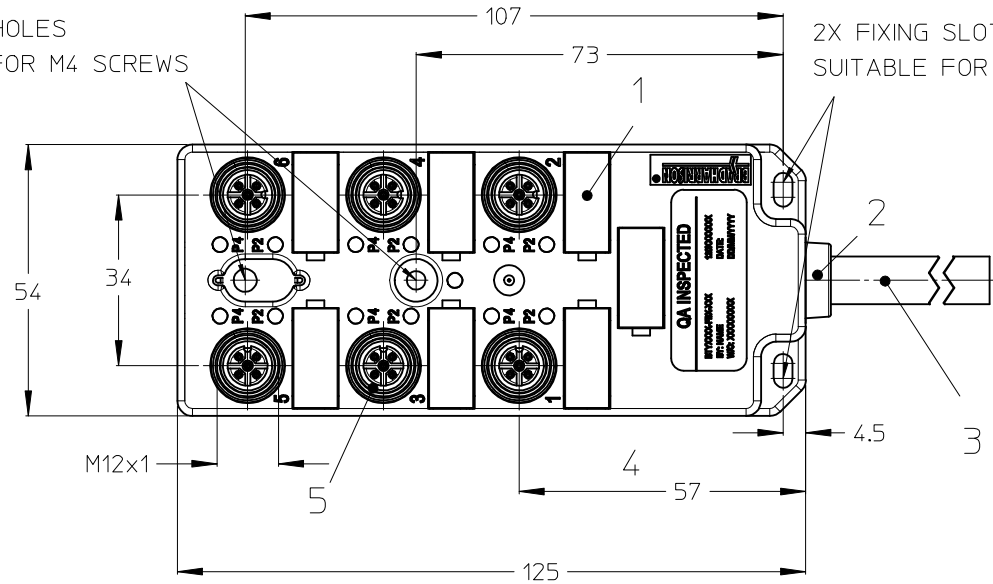


# TABLE 1 BILL OF MATERIAL

ITEM	QTY	DESCRIPTION	MATERIAL	FINISH
1	7	LABEL	ABS	WHITE
2	1	CABLE PLATE	PBT	YELLOW
3	1	CABLE	SEE ENG. NO. MATRIX	SEE ENG. NO. MATRIX
4	30	CONTACT	BRASS	GOLD OVER NICKEL
5	6	O-RING	FPM	RED
6	6	SHELL	BRASS	NICKEL PLATET
7	13	LED	NON LED = PBT/ WITH LED = PA	NON LED=YELLOW/ WITH LED=TRANSPARENT
8	2	PROTECTING CAP	PP	BLACK
9	1	HOUSING	PBT	YELLOW

2X FIXING HOLES  
SUITABLE FOR M4 SCREWS

2X FIXING SLOT HOLES  
SUITABLE FOR M4 SCREWS

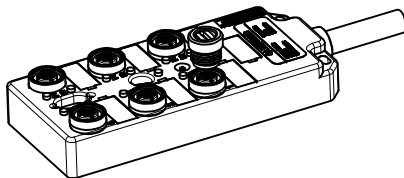
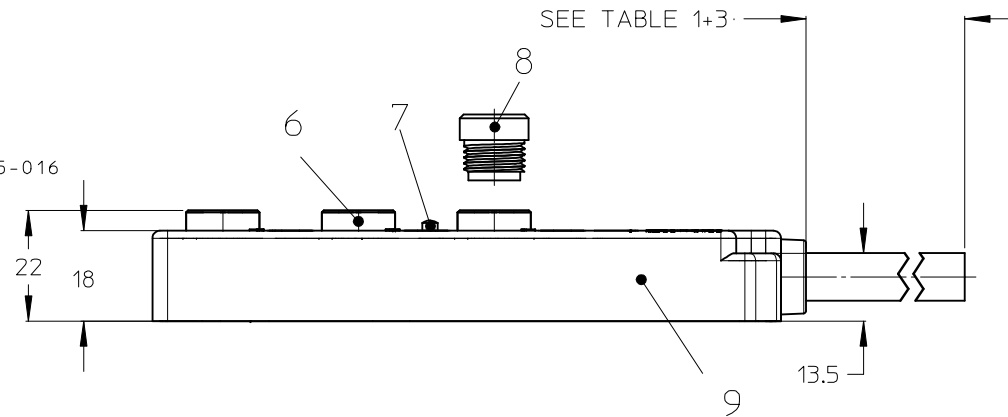


# GENERAL CHARACTERISTICS

NOMINAL VOLTAGE: 10-30 V DC  
 POLLUTION DEGREE: 3  
 RATED CURRENT: 4 A PER PORT / 12 A MAX: TOTAL  
 CONTACT RESISTANCE: ≤ 5 mOHM  
 ISULATION RESISTANCE: > 10<sup>9</sup> OHM  
 IP DEGREE OF PROTECTION: IP 67  
 IP 68 REFER TO TEST SUMMARY TS-120005-016

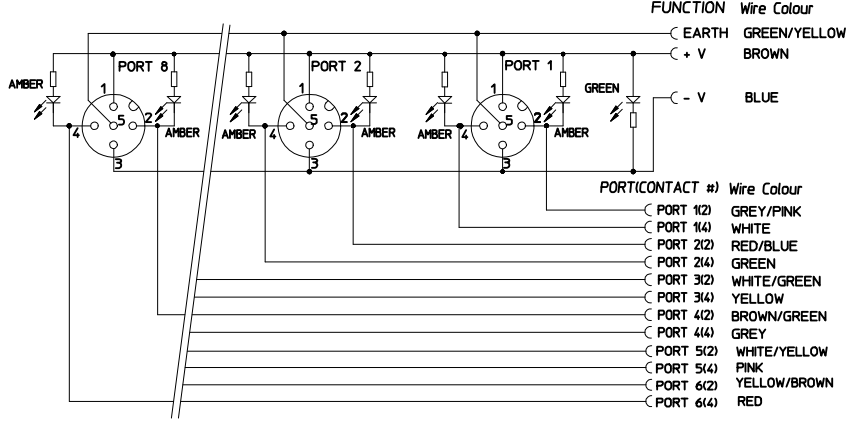
TEMPERATURE RANGE: -25°C to + 85°C  
 (BOX ONLY)

FLAMMABILITY:  
 Insert: V0  
 HOUSING: V0  
 POTTING MATERIAL: V0

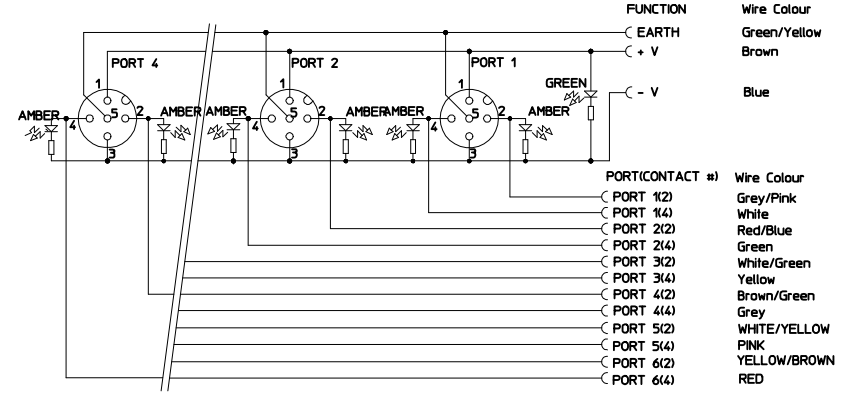


ENTER DESCRIPTION EC NO: IPG2014-0267 DRW:ULETTEMEIER 2013/09/24 CHKD:PSILLER 2013/09/25 APPR:CBURGER 2013/10/07	QUALITY SYMBOLS ▽=0 ◻=0	GENERAL TOLERANCES (UNLESS SPECIFIED)		DIMENSION STYLE MM ONLY	SCALE 1:1	DESIGN UNITS METRIC	THIRD ANGLE PROJECTION	
			mm	INCH	DRAWN BY ULETTEMEIER	DATE 2013/06/27	TITLE MPIS M12 PNP NPN NOS 5P 6PT AC FE STR XM	
		4 PLACES	± ---	± ---	CHECKED BY RSILLER	DATE 2013/07/10	<b>molex</b>	
		3 PLACES	± ---	± ---	APPROVED BY CBURGER	DATE 2013/07/17		
			ANGULAR ± .5 °		MATERIAL NO.	DOCUMENT NO.	SHEET NO.	
			DRAFT WHERE APPLICABLE MUST REMAIN WITHIN DIMENSIONS		SEE TABLE 2	SD-120114-092	1 OF 3	
B1	REV	THIS DRAWING CONTAINS INFORMATION THAT IS PROPRIETARY TO MOLEX INCORPORATED AND SHOULD NOT BE USED WITHOUT WRITTEN PERMISSION						

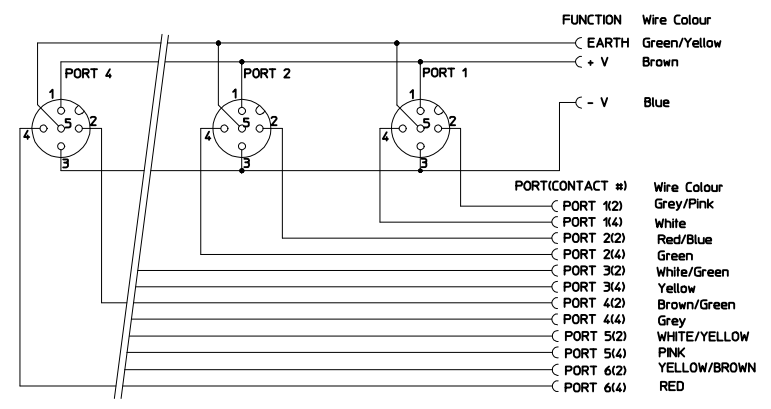
### WIRING DIAGRAM DUAL PORT NPN



### WIRING DIAGRAM DUAL PORT PNP



### WIRING DIAGRAM DUAL PORT NON LED



<b>ENTER DESCRIPTION</b> EC NO: IPG2014-0267 DRW:NULETTEMEIER 2013/09/24 CHK:KPSILLER 2013/09/25 APPR:CBURGER 2013/10/07 REV:	QUALITY SYMBOLS ▽=0 ▽=0	GENERAL TOLERANCES (UNLESS SPECIFIED) <table border="1"> <tr> <td></td> <td>mm</td> <td>INCH</td> </tr> <tr> <td>4 PLACES</td> <td>± ---</td> <td>± ---</td> </tr> <tr> <td>3 PLACES</td> <td>± ---</td> <td>± ---</td> </tr> <tr> <td>2 PLACES</td> <td>± 0.05</td> <td>± ---</td> </tr> <tr> <td>1 PLACE</td> <td>± 0.10</td> <td>± ---</td> </tr> <tr> <td>0 PLACE</td> <td>± ---</td> <td>± ---</td> </tr> </table>		mm	INCH	4 PLACES	± ---	± ---	3 PLACES	± ---	± ---	2 PLACES	± 0.05	± ---	1 PLACE	± 0.10	± ---	0 PLACE	± ---	± ---	DIMENSION STYLE <b>MM ONLY</b>	SCALE <b>1:1</b>	DESIGN UNITS <b>METRIC</b>	THIRD ANGLE PROJECTION
		mm	INCH																					
	4 PLACES	± ---	± ---																					
	3 PLACES	± ---	± ---																					
2 PLACES	± 0.05	± ---																						
1 PLACE	± 0.10	± ---																						
0 PLACE	± ---	± ---																						
DRAFT WHERE APPLICABLE MUST REMAIN WITHIN DIMENSIONS	MATERIAL NO. <b>SEE TABLE 2</b>	DRAWN BY DATE ULETTENMEIER 2013/06/27	CHECKED BY DATE RSILLER 2013/07/10	APPROVED BY DATE CBURGER 2013/07/17	TITLE <b>MPIS M12 PNP NPN NOS 5P 6PT AC FE STR XM</b>	DOCUMENT NO. <b>SD-120114-092</b>																		
B1	ANGULAR ± .5 °	SEE TABLE 2	THIS DRAWING CONTAINS INFORMATION THAT IS PROPRIETARY TO MOLEX INCORPORATED AND SHOULD NOT BE USED WITHOUT WRITTEN PERMISSION	molex	SHEET NO. <b>2 OF 3</b>	SHEET NO. <b>2 OF 3</b>																		
B1	DRAFT WHERE APPLICABLE MUST REMAIN WITHIN DIMENSIONS	SEE TABLE 2	THIS DRAWING CONTAINS INFORMATION THAT IS PROPRIETARY TO MOLEX INCORPORATED AND SHOULD NOT BE USED WITHOUT WRITTEN PERMISSION	molex	SHEET NO. <b>2 OF 3</b>	SHEET NO. <b>2 OF 3</b>																		

TABLE 2

MOLEX P/N	ENG. NR.	LED
1200550648	BTY6050-FBP-05	NO
1200550594	BTY6050-FBP-10	NO
1200550596	BTY6050-FBP-15	NO
1200550606	BTY605P-FBE-05	YES
1200550607	BTY605P-FBE-10	YES
1200550551	BTY605P-FBP-05	YES
1201140058	BTY605P-FBP-10	YES
1201148029	BTY605P-FBP-10-1	YES
1200550789	BTY605P-FBP-15	YES
1200550617	BTY605P-FBP-20	YES

ENG. NO. MATRIX:

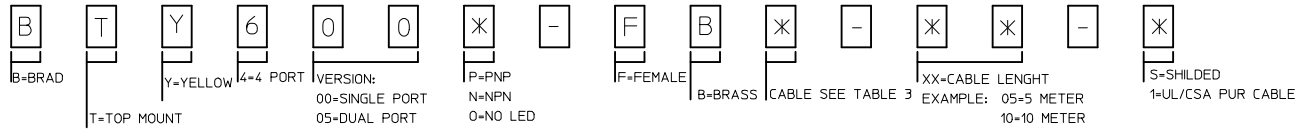


TABLE 3

CABLE	TEM. RANGE STATISCH	TEM. RANGE FLEXIBLE	CABLE DIAMETER (MM)		DRAG CHAIN	UL STYLE
			SIGLE (4POLE) 4/6/8 PORT	DUAL (5POLE) 4/6/8 PORT		
P=PUR/PVC/Black	-30°C TO +90°C	-5°C TO +90°C	8.4 ±0.2 / 9.5±0.2 / 9.5 ±0.2	9.5 ±0.2 / 9.8 ±0.2 / 11.4 ±0.2	1.5 MIO. CYCLES	-
P=PUR/PVC/Black/UL/CSA	-25°C TO +90°C	-	7.5 ± 0.2	8.6 ± 0.2	-	-
N=PVC/GREY	-	-10°C TO +80°C	8.4 ± 0.2	9.5 ± 0.2	10 MIO. CYCLES	2464
I=CEI/GREY	-5°C TO +70°C	-	8.4 ± 0.2	9.5 ± 0.2	-	-
E=PVC/YELLOW	-5°C TO +70°C	-	8.4 ± 0.2	9.5 ± 0.2	-	-

ENTER DESCRIPTION EC NO: IPG2014-0267 DRAWN:ULETTEMEIER 2013/09/24 CHKD:RSILLER 2013/09/25 APPR:CBURGER 2013/10/07	QUALITY SYMBOLS ▽=0 ▽=0	GENERAL TOLERANCES (UNLESS SPECIFIED)		DIMENSION STYLE <b>MM ONLY</b>		SCALE 1:1	DESIGN UNITS METRIC	THIRD ANGLE PROJECTION	
		4 PLACES ± --- ± ---	mm INCH	DRAWN BY ULETTEMEIER	DATE 2013/06/27	TITLE MPIS M12 PNP NPN NOS 5P 6PT AC FE STR XM			
		3 PLACES ± --- ± ---		CHECKED BY RSILLER	DATE 2013/07/10				
		2 PLACES ± 0.05 ± ---		APPROVED BY CBURGER	DATE 2013/07/17				
1 PLACE ± 0.10 ± ---		ANGULAR ± .5 °		MATERIAL NO. SEE TABLE 2	DOCUMENT NO. SD-120114-092	SHEET NO. 3 OF 3			
0 PLACE ± --- ± ---		DRAFT WHERE APPLICABLE MUST REMAIN WITHIN DIMENSIONS		THIS DRAWING CONTAINS INFORMATION THAT IS PROPRIETARY TO MOLEX INCORPORATED AND SHOULD NOT BE USED WITHOUT WRITTEN PERMISSION					