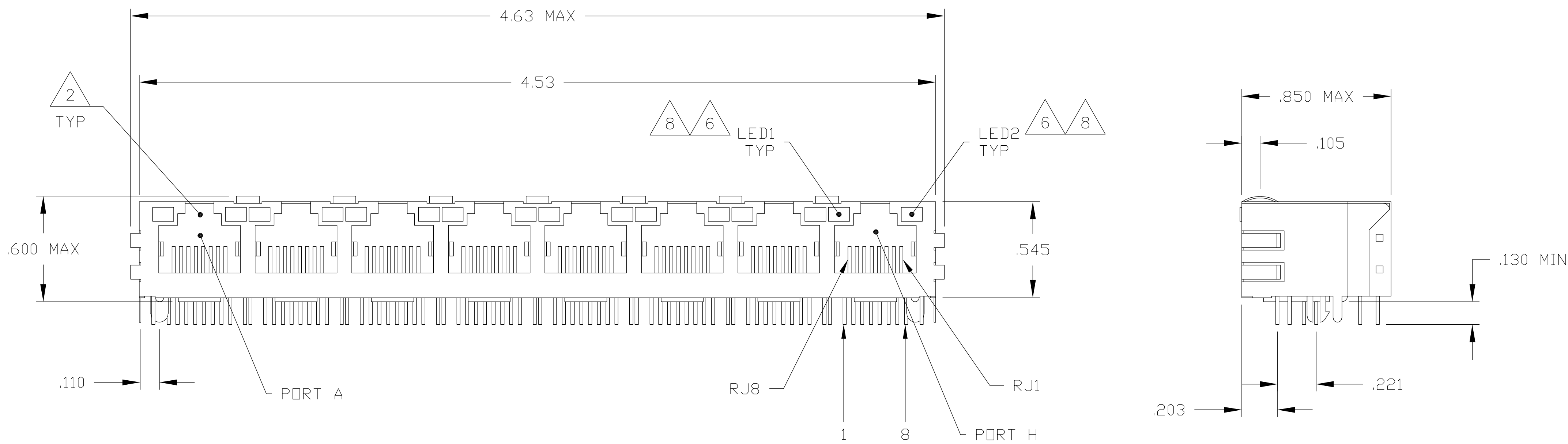
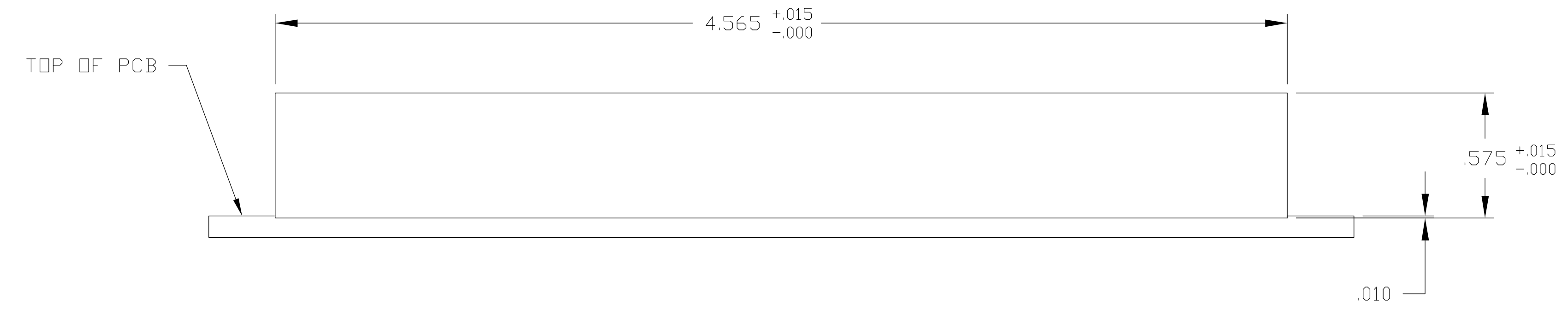


LOC		DIST		REVISIONS			
F	LTR	DESCRIPTION	DATE	DWN	APPD		
A	REV PER EC	OS13-0650-04	16MAR2005	AF	DF		

MECHANICAL:



- 1 MATERIALS:
 - HOUSING - THERMOPLASTIC PET POLYESTER FLAMMABILITY RATING UL 94V-0.
 - SHIELD - .010" THICK, C26800 BRASS PREPLATED WITH 30μINCH MIN SEMI-BRIGHT NICKEL. SOLDER TABS POST DIPPED WITH 100μINCH MIN SAC SOLDER.
 - MOD JACK CONTACTS - 0.0157 X 0.018" PHOSPHOR BRONZE, 50μINCH MIN OVERALL NICKEL UNDERPLATE WITH SELECT 50μINCH MIN HARD GOLD FINISH PLATE.
 - SOLDERTAILS WITH 100μINCH MIN MATTE TIN AND/OR SAC SOLDER DIP.
 - LIGHT EMITTING DIODE(LED) - DIFFUSED EPOXY LENS, .020" X .020" CARBON STEEL WIREFRAME LEADS PRE-PLATED WITH 80μINCH SILVER OVER 40μINCH NICKEL UNDERPLATE OVER 40μINCH COPPER UNDERPLATE. POST-PLATED WITH 100μIN MIN MATTE TIN AND/OR SAC SOLDER DIP OR PURE TIN SOLDER DIP.
- 2 RJ45 JACK CAVITY CONFORMS TO FCC RULES AND REGULATIONS PART 68, SUB PART F.
- 3 MAGNETICS
 - IMPEDANCE: 100 OHMS
 - TURNS RATIO (CHIP:CABLE): TX = 1:1, RX = 1:1
 - OPEN CIRCUIT INDUCTANCE (OCL): 350μH MIN @100kHz, 0.1VRMS, 8mADC BIAS FROM 0°C TO 70°C, TX AND RX
 - PERFORMANCE @ 25°C:
 - INSERTION LOSS (IL): 1.1dB MAX FROM 0.5MHz TO 100MHz
 - RETURN LOSS (RL): 18dB MIN FROM 0.5MHz TO 30MHz
 - 18-20LOG(f/30)dB MIN FROM 30.1MHz TO 60MHz
 - 12dB MIN FROM 60.1MHz TO 80MHz
 - CROSSTALK ATTENUATION: 35dB MIN FROM 0.5MHz TO 40MHz
 - 33-20*LOG(f/50)dB MIN FROM 40.1MHz TO 100MHz
 - COMMON MODE REJECTION RATIO (CMRR): 30dB MIN FROM 0.5MHz TO 100MHz
 - ISOLATION VOLTAGE: COMPLIES WITH IEEE802.3 2002, PARA 23.5.1.1, ITEM a or b.
- 4. OPERATING TEMPERATURE: FROM 0°C TO +70°C.
- 5 R1-R4 = 75 OHMS, 1/16 W, 5% RESISTORS.
- 6 LED COMPLIANT WITH IEC60825-1 SAFETY OF LASER PRODUCTS. WHEN OPERATED UP TO 20 mA. THE 250 OHM RESISTOR IS INCLUDED IN THE LEDS.
- 7 INDICATED CONNECTIONS ARE FOR NIC CONFIGURATION. THE MAGNETICS ARE ASYMMETRICAL, AND DO NOT SUPPORT AUTO-MDI/MDIX.
- 8 LED PEAK WAVELENGTH: GREEN(λ) = 565nm.
- 9 TRADEMARK, PART NUMBER, DATE CODE, COUNTRY OF ORIGIN AND AGENCY APPROVAL MARKING IN APPROXIMATE LOCATION SHOWN.



1X8 SUGGESTED PANEL CUTOUT

GREEN	GREEN	1-6610095-1
LED1 6	LED2 6	PART NUMBER

THIS DRAWING IS A CONTROLLED DOCUMENT.

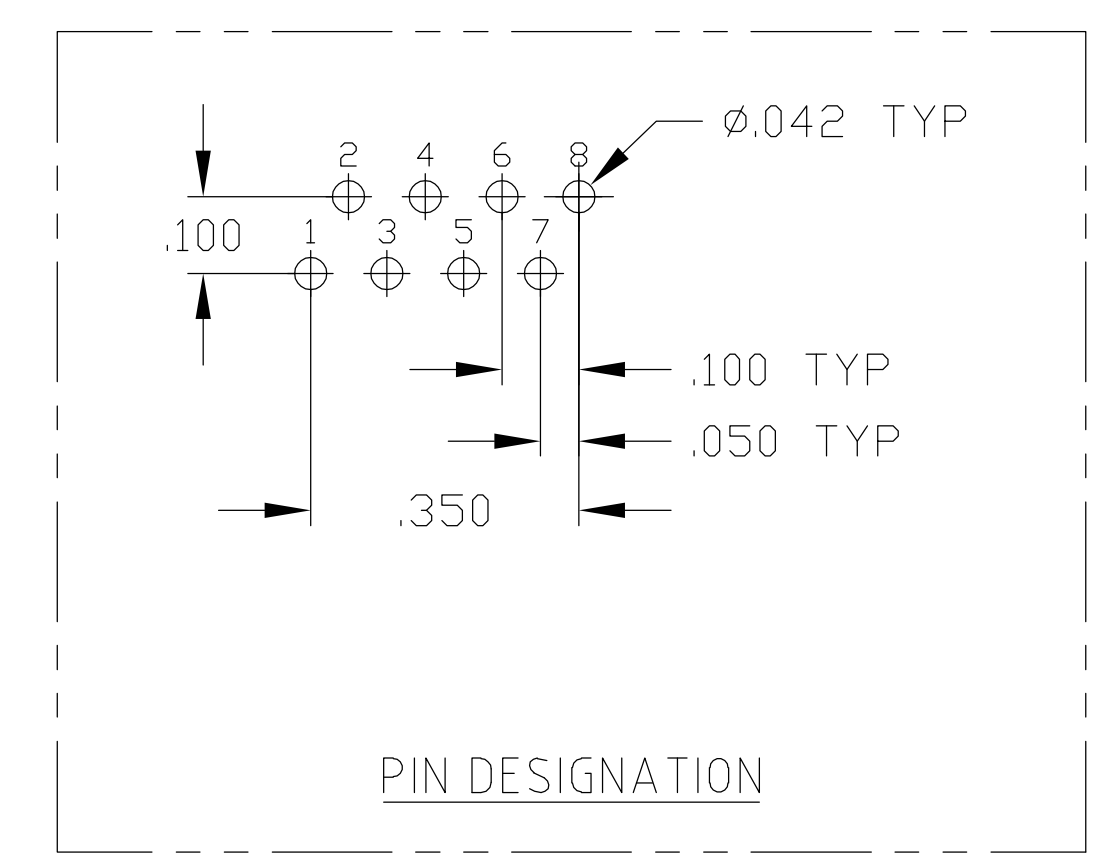
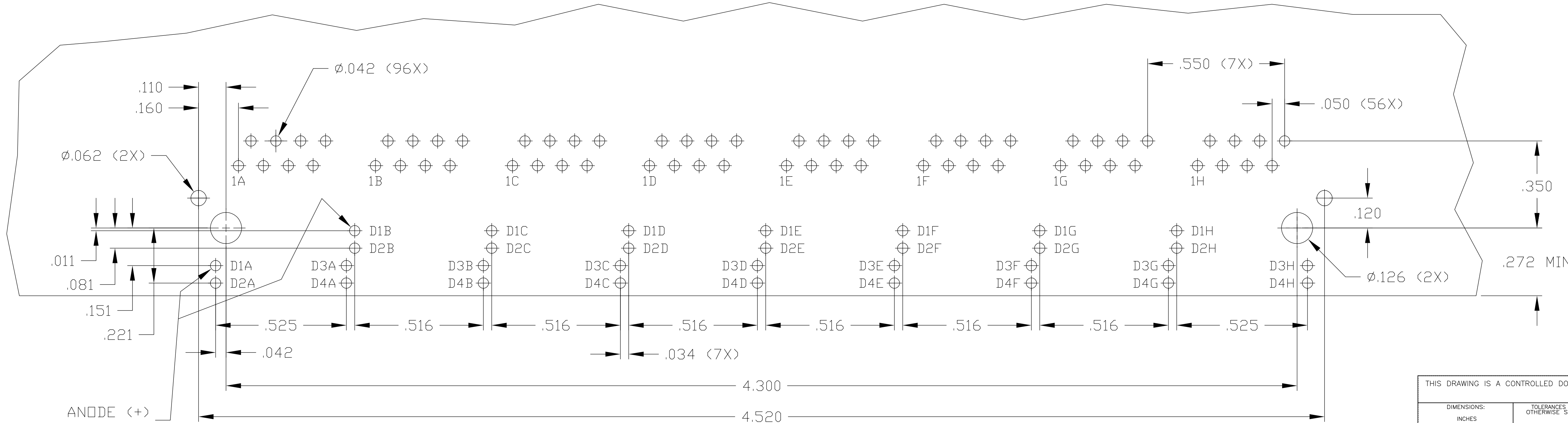
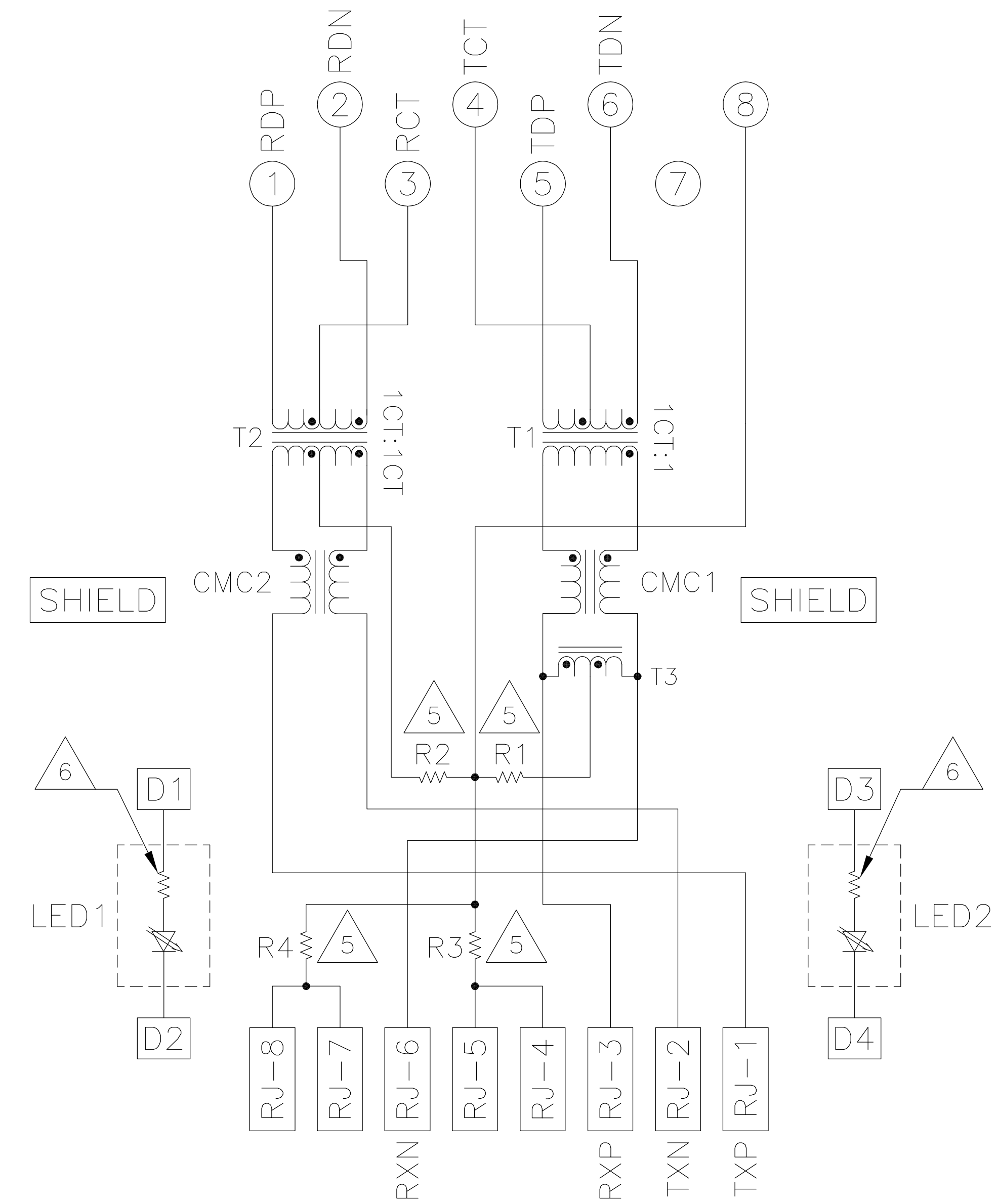
DWN	A. FERNANDEZ	16MAR2005	Tyco Electronics Corporation Harrisburg, PA 17105-3608			
CHK	D. FAROLE	16MAR2005				
APRD	D. FAROLE	16MAR2005	NAME 1X8 MAG45(TM) MODULAR JACK, 7N2 SCHEMATIC, 714 SERIES MAGNETIC CIRCUIT, SHIELDED, WITH RESISTOR LEDS			
PRODUCT SPEC	108-2100					
APPLICATION SPEC			SIZE	CAGE CODE	DRAWING NO	RESTRICTED TO
			A1	00779	6610095	
MATERIAL			WEIGHT			

CUSTOMER DRAWING SCALE 4:1 SHEET 1 OF 2 REV A

LOC		DIST		REVISIONS			
P	LTR	DESCRIPTION	DATE	DRN	APVD		
AA	22	SEE SHEET 1					

ELECTRICAL:

714 SERIES MAGNETIC CIRCUIT



SUGGESTED PCB LAYOUT
(Component Side)

THIS DRAWING IS A CONTROLLED DOCUMENT.		DWN A. FERNANDEZ-DOCKES 16MAR2005	tyco Electronics	Tyco Electronics Corporation Harrisburg, PA 17105-3608
DIMENSIONS: INCHES		CHK D. FAROLE 16MAR2005	NAME D. FAROLE	RESTRICTED TO
TOLERANCES UNLESS OTHERWISE SPECIFIED: 0. PLC ± - 1. PLC ± - 2. PLC ± .010 3. PLC ± .005 4. PLC ± - ANGLES ± -		PRODUCT SPEC 108-2100	APPLICATION SPEC	SIZE A1
MATERIAL		FINISH	WEIGHT	CAGE CODE 00779
		DRAWING NO 6610095		SCALE 4:1
		CUSTOMER DRAWING		SHEET 2 OF 2