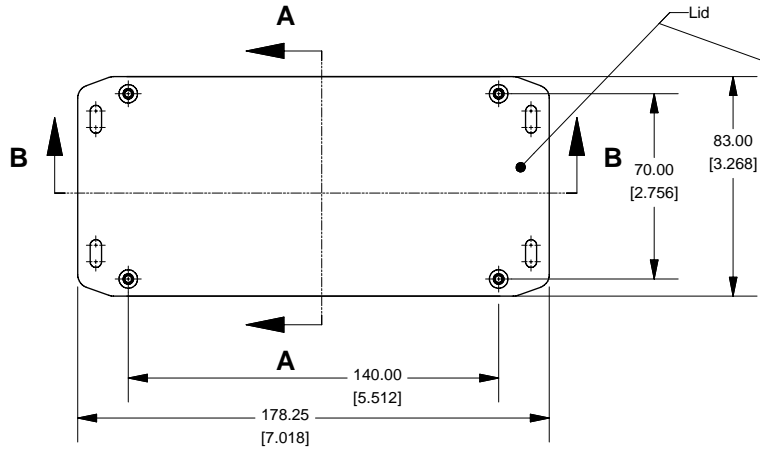
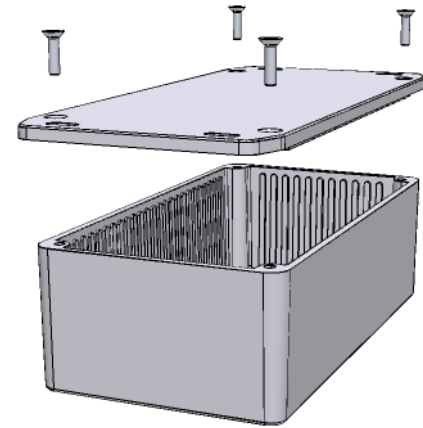
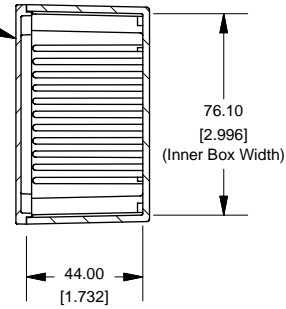


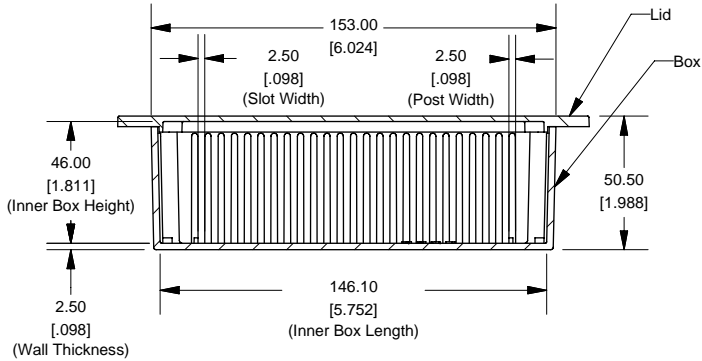
### Top View of Assembly



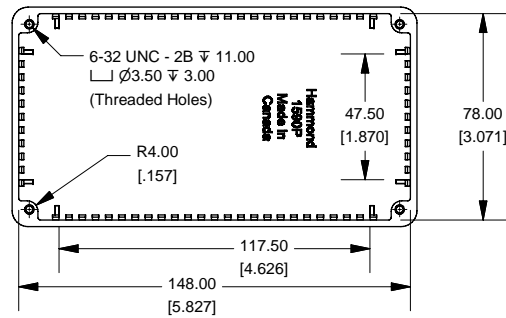
### SECTION A-A End View of Assembly



### SECTION B-B Side View of Assembly



### Top View Looking Inside Box



Enclosures can be Factory Modified ( Milling, Drilling, Printing etc.)  
 Contact Factory [mjm@hammondmfg.com](mailto:mjm@hammondmfg.com) for quotes  
 Solid models of this enclosure available in STEP or IGES.

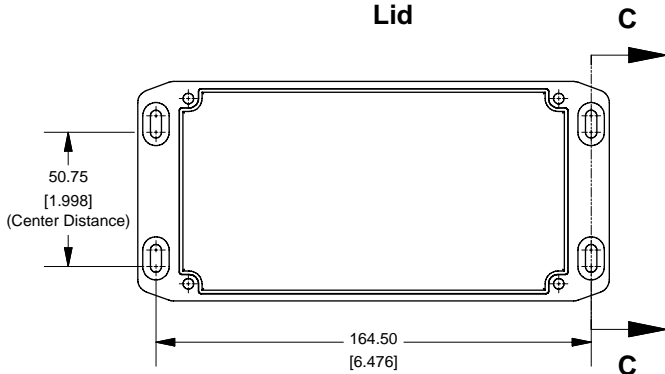
#### NOTE

Purchased assembly includes box, lid and 4 cover screws.  
 Box and lid are made from Diecast Aluminum Alloy (alloy type 380).  
 Silicone Gasket Loctite #5950

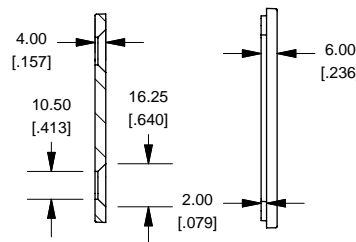
#### PART NUMBERS

1590PFL Enclosure	
Unfinished	1590PFL
Grey Textured Polyester Powder Paint - RAL 7038	1590PFLGY
Black Textured Polyester Powder Paint - RAL 9011	1590PFLBK
<b>1590PFL Liquid Resistant Enclosure (Silicon Factory Installed Gasket)</b>	
Unfinished	1590WPFL
Black Textured Powder Paint	1590WPFLBK
ACCESSORIES	
Recommended Torque: 75 ozf.in / 55 cN.m	
Black Textured Cover Screws (Pkg 50) [6-32 x 1/2" SS Type 304]	1590WMS100BK
Unfinished Cover Screws (Pkg 100) [6-32 x 1/2" Nickel Plated Screws]	1590WMS100
Standard Cover Screws	
Unfinished Cover Screws (Pkg 100) [6-32 x 1/2" Nickel Plated Screws]	1590MS100
Black Textured Cover Screws (Pkg 50) [6-32 x 1/2" SS Type 304]	1590MS100BK

### Lid



### SECTION C-C Side of Slot



### DETAIL D Interior Features

