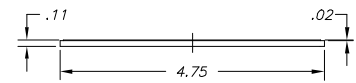
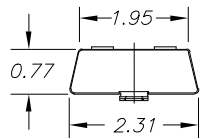
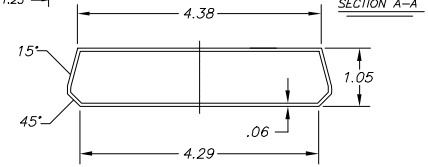
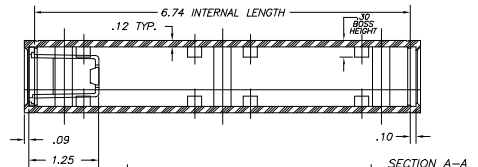
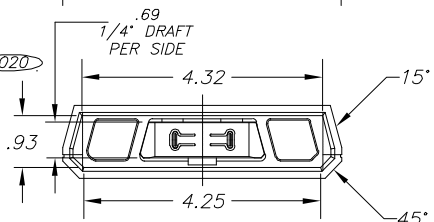
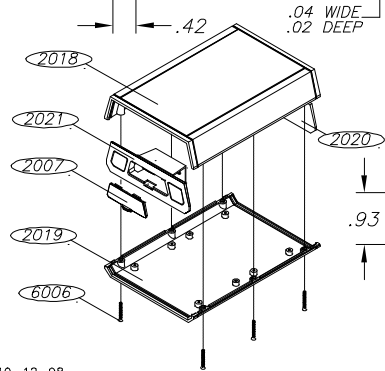
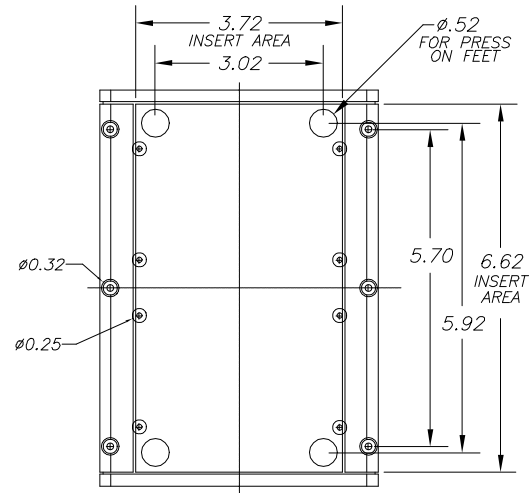
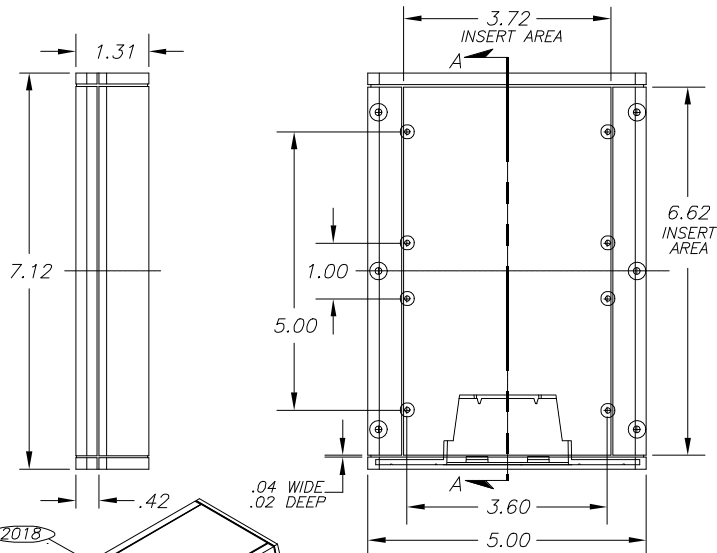


SERPAC A-41,9V

Electronics Enclosures

NOTES:
 1. WHEN MACHINE OR I PLATES MODIFICATIONS ARE REQUIRED, USE THE CENTER OF THE BOX TO DIMENSION.



10-12-98

ALL DIMENSIONS ±.010

PART NO.	DESCRIPTION	PART NO.	ACCESSORIES
2018	PLASTIC TOP	51	PRESS ON FEET
2020	PLASTIC END PANEL	2020IR	INFARED PANELS
2021	9 VOLT BATTERY ACCESS PANEL	2020CL	CLEAR & TRANSPARENT RED PANELS
2019	PLASTIC BOTTOM	2020DB9	9 PIN CONNECTOR
2007	PLASTIC BATTERY COVER	2020DB25	25 PIN CONNECTOR
6006	SCREW		

619 Commercial Ave. Covina, CA 91723

(626) 331-0517 Fax (626) 331-8584 <http://www.serpac.com>