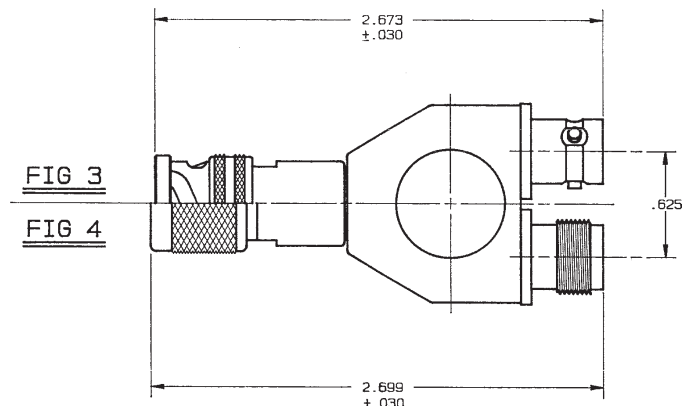
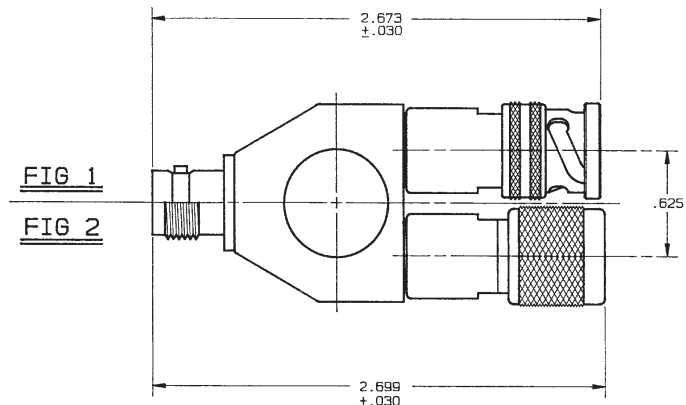
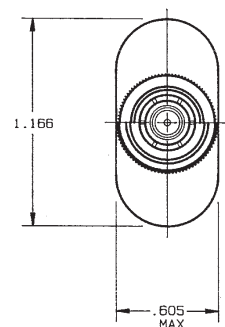
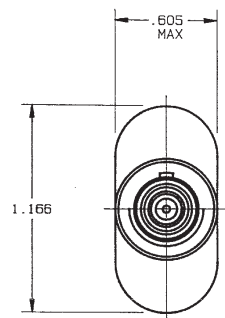


RED INDICATES ORIGINAL

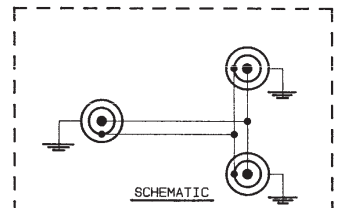
DISK # C4	DWG SIZE C	DATA CONTAINED IN THIS DOCUMENT IS PROPRIETARY TO TROMPETER ELECTRONICS INC. AND SHALL NOT BE DISCLOSED, COPIED OR USED FOR PROCUREMENT OR MANUFACTURE WITHOUT EXPRESS WRITTEN PERMISSION.	REVISONS			1-0252		SH 1
			REV	E0	DESCRIPTION	DWN	APPROVED	DATE
			L	8722	.605 MAX WAS .600 & REDWN	AAH	<i>AAH</i>	12/11/89

DASH NO	MODEL NO	CONN TYPE	FIG NO
-1	TN2	3-LUG	1
-2	TN2A		3
-3	TN2T		2
-4	TN2TA	THREADED	4
-5	TN2TL	2-LUG	1
-6	TN2TLA		3
-7	TN2FL	4-LUG	1
-8	TN2FLA		3

INCH	MM
.005	0.13
.030	0.76
.600	15.24
.625	15.88
1.166	29.62
2.673	67.89
2.699	68.55



3. FIXED PARALLEL NETWORKS, CONCENTRIC TWINAX / TRIAX 2, 3, 4-LUG & THREADED PLUG(S) & JACKS(S)
2. FINISH: TFS-1A (NICKEL)
1. ALL DIM ARE IN INCHES



QTY	DESCRIPTION	PART NUMBER	ITEM
TOL UNLESS SPECIFIED .XX ± .XXX ± .005 .XXXX ANGLE±	TROMPETER RF connectivity	TN2/2A/2T/2TA/2TL/ 2TLA/2FL/2FLA	
DWN AAH 12-11-89	MATERIAL	CODE IDENT	REV
CHK <i>OH</i> 12/11/89		14949	1-0252
ENGR <i>OH</i> 12/11/89			L
NEXT ASSY	APPR <i>OH</i> 12/11/89	SCALE 2/1	DATE 12-29-86 SHEET 1 OF 2