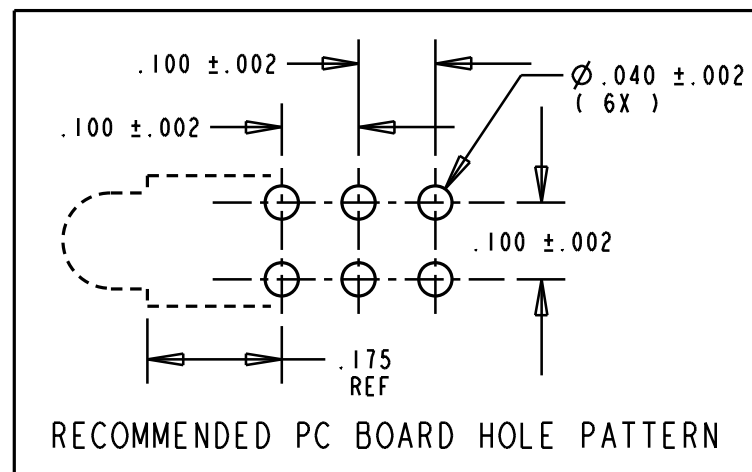
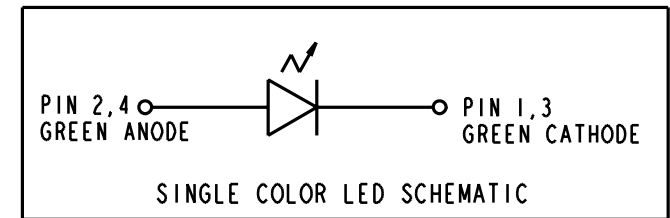
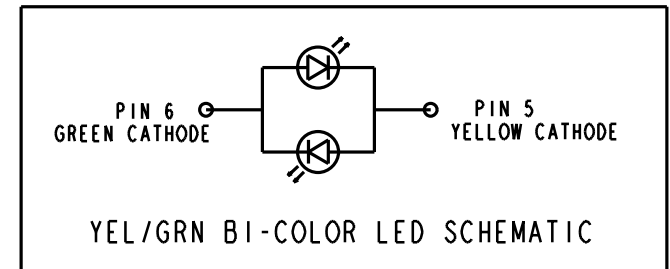
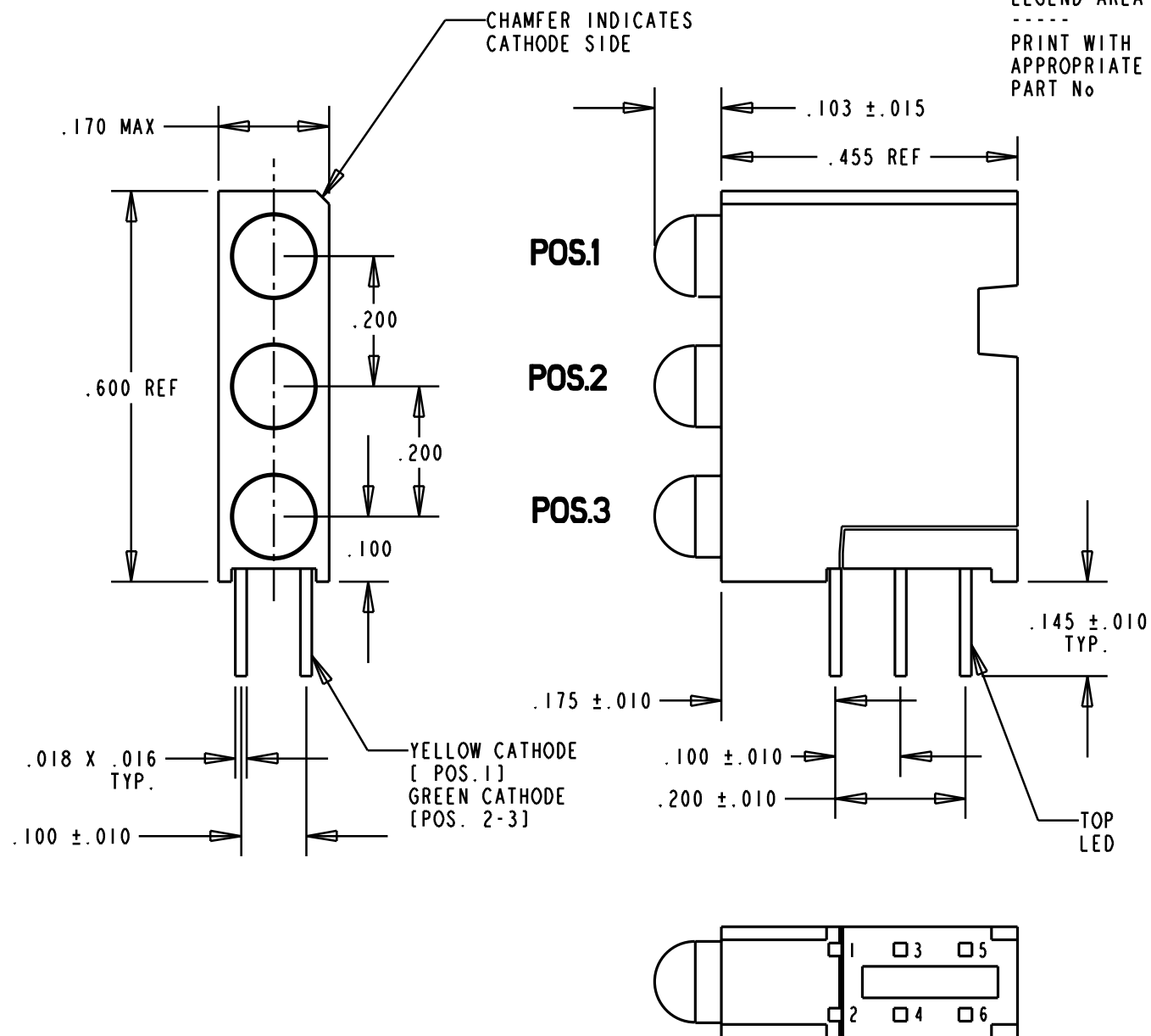
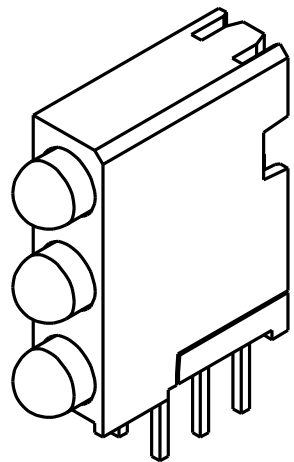


PART NUMBER and LEGEND	LED COLOR		
	POSITION 1	POSITION 2	POSITION 3
564-0700-816	YELLOW / GREEN	GREEN DIFFUSED	GREEN DIFFUSED

REV.	ECN NO.	REVISIONS	DRN.	CKD.	APP.	DATE
A		NEW RELEASE	DC			



NOTES:

- 1- LEADS TO FIT INTO HOLES SPACED AS PER HOLE PATTERN
- 2- PIN NUMBERS FOR REFERENCE ONLY, DESIGNATION NON-EXISTENT ON PARTS.
- 3- LEADS TO BE FREE OF DEFORMATION AFTER BENDING AND CUTTING
- 4- LED LEAD DIMENSIONS SHOWN ARE MEASURED AT HOUSING EXIT
- 5- DIALIGHT PART NUMBER: 564-0700-816

OPERATING CHARACTERISTICS AT  $T_A = 25^\circ\text{C}$

SYMBOL	PARAMETER	COLOR	MIN	TYP	MAX	UNITS	TEST COND.
$V_F$	FORWARD VOLTAGE	GREEN		2.1	2.8	V	$I_F = 20 \text{ mA}$
$I_R$	REVERSE CURRENT	GREEN			100	$\mu\text{A}$	$V_R = 5 \text{ V}$
$\lambda_{\text{PEAK}}$	PEAK WAVELENGTH	GREEN		565		nm	MEASURED AT PEAK
$I_V$	LUMINOUS INTENSITY	GREEN	4.7	12.6		mc d	$I_F = 10 \text{ mA}$

YEL/GRN BI-COLOR LEADS  
OPERATING CHARACTERISTICS AT  $T_A = 25^\circ\text{C}$

SYMBOL	PARAMETER	COLOR	MIN	TYP	MAX	UNITS	TEST COND.
$V_F$	FORWARD VOLTAGE	YELLOW		2.1	2.8	V	$I_F = 20 \text{ mA}$
		GREEN		2.1	2.8		
$\lambda_{\text{PEAK}}$	PEAK WAVELENGTH	YELLOW		585		nm	
		GREEN		565			
$I_V$	LUMINOUS INTENSITY	YELLOW	2.5			mc d	$I_F = 10 \text{ mA}$
		GREEN	2.5				

THIS DRAWING AND THE CONTENTS HEREIN ARE CONFIDENTIAL AND THE SOLE PROPERTY OF DIALIGHT. REPRODUCTION OF THIS DRAWING OR CONSTRUCTION OF ANY PARTS WITHIN THIS DRAWING ARE FORBIDDEN WITHOUT THE WRITTEN CONSENT OF DIALIGHT.		
SCALE 4:1	DRAWING NUMBER	REV
ALL DIM'S IN: INCHES	C-16726	A
TOLERANCES: UNLESS OTHERWISE SPECIFIED	TITLE STANDARD 3X1 CBI BLOCK	
FRACTIONS: $\pm 1/64$	MATERIAL	
DECIMALS (.XX): $\pm .020$	Dialight	
DECIMALS (.XXX): $\pm .015$	1913 ATLANTIC AVE.	
DECIMALS (.XXXX): $\pm 1^\circ$	MANASQUAN, N.J. 08736	
FINISH:	FSCM 83330	SHEET OF FAMILY TABLE: