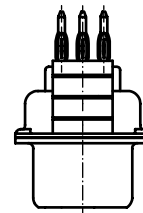
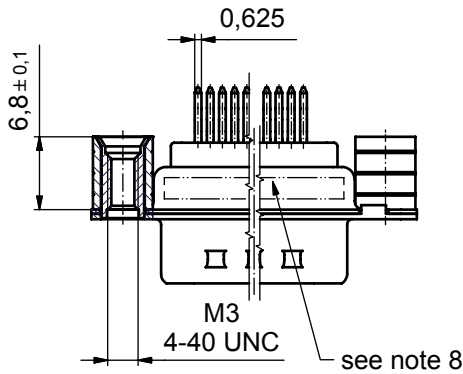
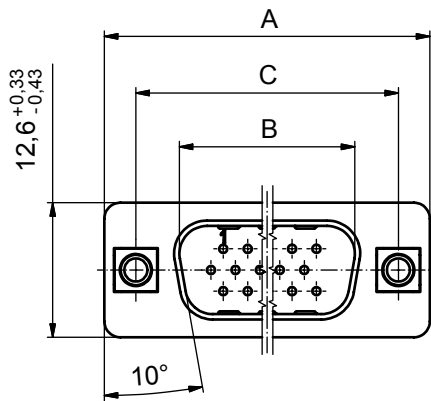
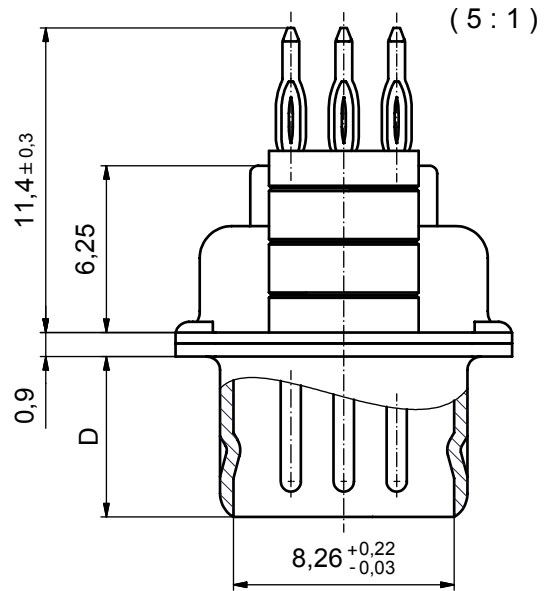


NOTES:

1. METALSHELLS: STEEL; min. 315µin TIN OVER 40-80µin NICKEL
2. INSULATORS: PBT GF UL 94 V-0, BLACK
3. PRESS-FIT CONTACTS: COPPER ALLOY
 PLATING MATING AREA: FLASH GOLD OVER NICKEL
 PLATING TERMINATION AREA: 20-40µin TIN (SN 100)
 P.C.B. THICKNESS: min. 1,6mm
4. THREADED REAR SPACER: COPPER ALLOY; min. 200µin TIN OVER 80µin NICKEL
5. SLEEVE: COPPER ALLOY; min. 200µin TIN OVER 80µin NICKEL
6. P.C.B. HOLE DRILLINGS SEE SHEET 2
7. MAXIMUM TORQUE VALUE FOR THREAD: 6 in.LB
8. CONNECTOR IS PART MARKED: PART-NO. CONEC ABC

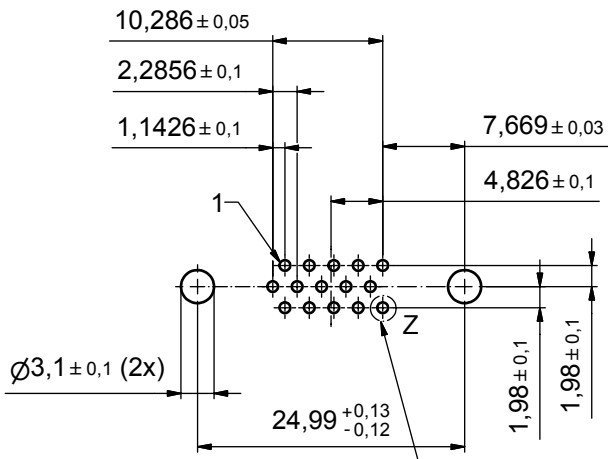


Polzahl No. of pos.	A	B	C	D	Art.-Nr. Part-No.	
					M3	4-40 UNC
15	30,88 ^{+0,31} _{-0,45}	16,84 ^{+0,2} _{-0,05}	24,99 ^{+0,13} _{-0,12}	6,00 ^{+0,12} _{-0,18}	DSH1XPGAA47X	DSH1XPGAA48X
26	39,22 ^{+0,3} _{-0,46}	25,17 ^{+0,2} _{-0,05}	33,32 ^{+0,13} _{-0,12}	6,00 ^{+0,12} _{-0,18}	DSH2XPGAA47X	DSH2XPGAA48X
44	53,09 ^{+0,33} _{-0,43}	38,86 ^{+0,23} _{-0,02}	47,04 ± 0,13	6,00 _{-0,3}	DSH3XPGAA47X	DSH3XPGAA48X
62	69,39 ^{+0,31} _{-0,45}	55,30 ^{+0,25}	63,50 ± 0,13	6,00 _{-0,3}	DSH4XPGAA47X	DSH4XPGAA48X

Directive 2002/95/EC
 "RoHS"
 Compliant

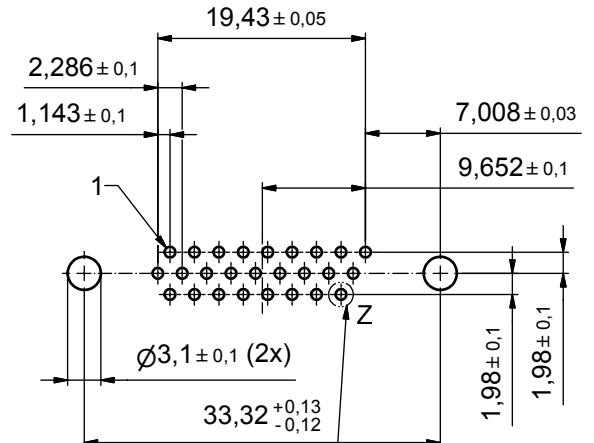
APPROVAL # FREIGABE # DEBLOCAGE # AUTORIZACION # APPROVAL	
CUSTOMER APPROVAL DATE:	
NAME:	TITLE:
COMPANY NAME:	
APPROVAL # FREIGABE # DEBLOCAGE # AUTORIZACION # APPROVAL	

THIS DRAWING MAY NOT BE COPIED OR REPRODUCED IN ANY WAY, AND MAY NOT BE PASSED ON TO A THIRD PARTY WITHOUT WRITTEN PERMISSION. OWNERSHIP AND COPYRIGHT OF CONEC GmbH DO NOT ALTER CAD DRAWING BY HAND				tolerance		dim. in mm	scale: 2:1 (5:1)	
				date			material: see notes	
				drawn	16.04.07		name: Lehmenkühler	
				appd.	16.04.07		name: Koch	
norm		d-old		title:		D-SUB HD MALE 15-62pos. PRESS-FIT STRAIGHT with threaded rear spacer		
a Origin				dwg no: Inventor				DIN-A3
rev. description date name				16K1A2034				sh: 1
				part no: see table				



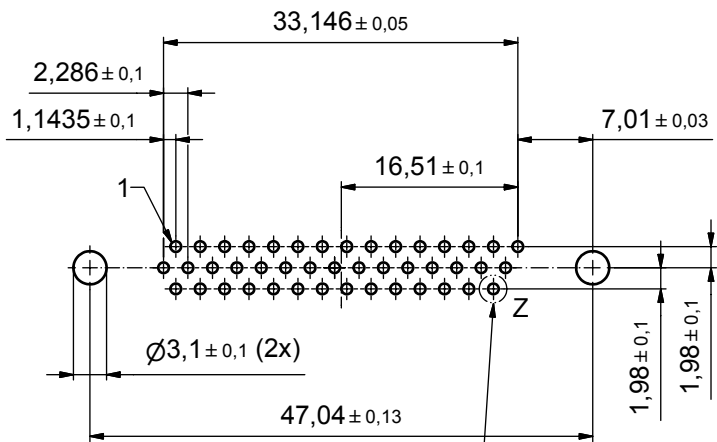
15 pos.

15x suggested hole size
see page 3



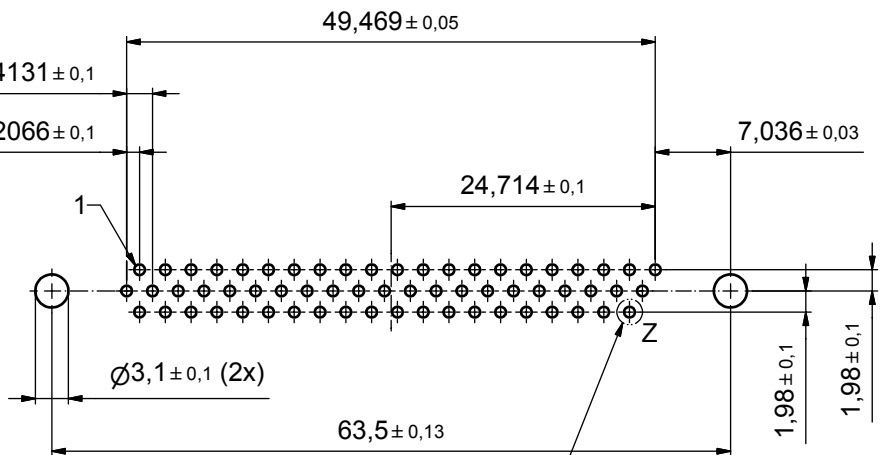
26 pos.

26x suggested hole size
see page 3



44 pos.

44x suggested hole size
see page 3



62 pos.

62x suggested hole size
see page 3

APPROVAL # FREIGABE # DEBLOCAGE # AUTORIZACION # APPROVAL	
CUSTOMER APPROVAL DATE:	
NAME:	TITLE:
COMPANY NAME:	
APPROVAL # FREIGABE # DEBLOCAGE # AUTORIZACION # APPROVAL	

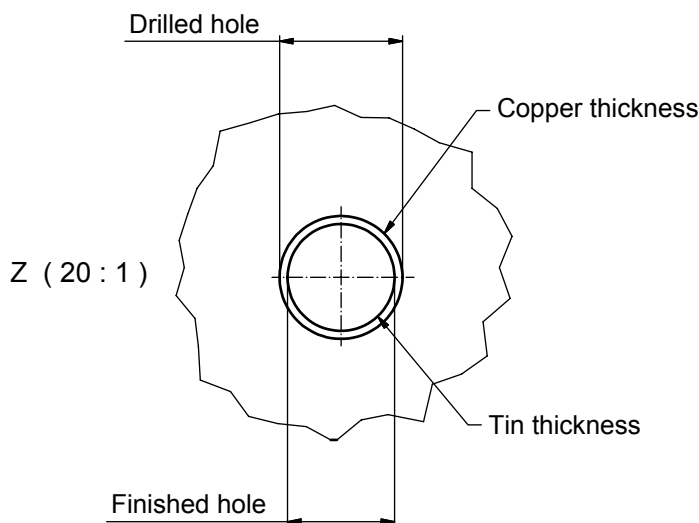
tolerance				 dim. in mm	scale: 2:1	
THIS DRAWING MAY NOT BE COPIED OR REPRODUCED IN ANY WAY, AND MAY NOT BE PASSED ON TO A THIRD PARTY WITHOUT WRITTEN PERMISSION. OWNERSHIP AND COPYRIGHT OF CONEC GmbH DO NOT ALTER CAD DRAWING BY HAND					material:	
drawn	02.07.07	name		title:		
appd.	02.07.07	Kühle		P.C.B. HOLE DRILLINGS		
norm				D-SUB HD 15-62pos. PRESS-FIT STRAIGHT		
d-old				with threaded rear spacer		
a	Origin			dwg no:	Inventor	DIN-A3
rev.	description	date	name	16K1A2034		sh: 2
				part no: SEE SHEET 1		



**SUGGESTED PCB HOLE SIZE DIMENSIONS FOR
D-SUB HD CONNECTORS
WITH PRESS FIT TERMINATIONS**

ACCORDING IEC 60352-5

THROUGH HOLE PLATING	Signal Contact	
	NOMINAL DIAMETER	
TIN-LEAD	DRILLED HOLE	1,15 ±0,025 mm
	COPPER	min. 25µm
	TIN-LEAD	min. 15µm
	FINISHED HOLE	1,0 +0,09 -0,06mm
Galv./HAL TIN	DRILLED HOLE	1,15 ±0,025 mm
	COPPER	min. 25µm
	TIN	5-15µm
	FINISHED HOLE	1,0 +0,09 -0,06mm
CHEM. TIN	DRILLED HOLE	1,15 ±0,025 mm
	COPPER	min. 25µm
	CHEM. TIN	max. 1,5µm
	FINISHED HOLE	1,0 +0,09 -0,06mm



APPROVAL # FREIGABE # DEBLOCAGE # AUTORIZACION # APPROVAL	
CUSTOMER APPROVAL DATE:	
NAME:	TITLE:
COMPANY NAME:	
APPROVAL # FREIGABE # DEBLOCAGE # AUTORIZACION # APPROVAL	

THIS DRAWING MAY NOT BE COPIED OR REPRODUCED IN ANY WAY, AND MAY NOT BE PASSED ON TO A THIRD PARTY WITHOUT WRITTEN PERMISSION. OWNERSHIP AND COPYRIGHT OF CONEC GmbH				tolerance		dim. in mm	scale: 20:1	
DO NOT ALTER CAD DRAWING BY HAND				date	name		material:	
a	Origin			drawn	02.07.07	Sonnenberg	title:	
rev.	description	date	name	appd.	02.07.07	Kühle	D-SUB HD MALE	
				norm			15-62pos. PRESS-FIT STRAIGHT	
				d-old			with threaded rear spacer	
				CONEC [®]		dwg no: 16K1A2034		DIN-A3
						part no: SEE SHEET 1		sh: 3