

8mm X 485mm LED LIGHT BAR

FEATURES

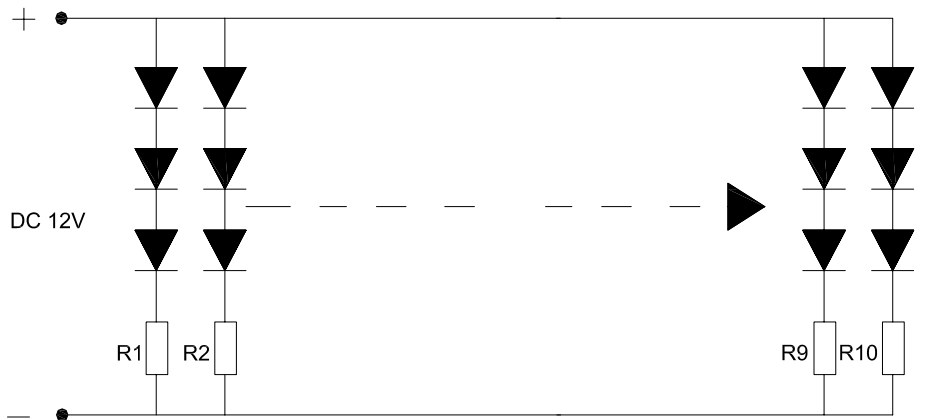
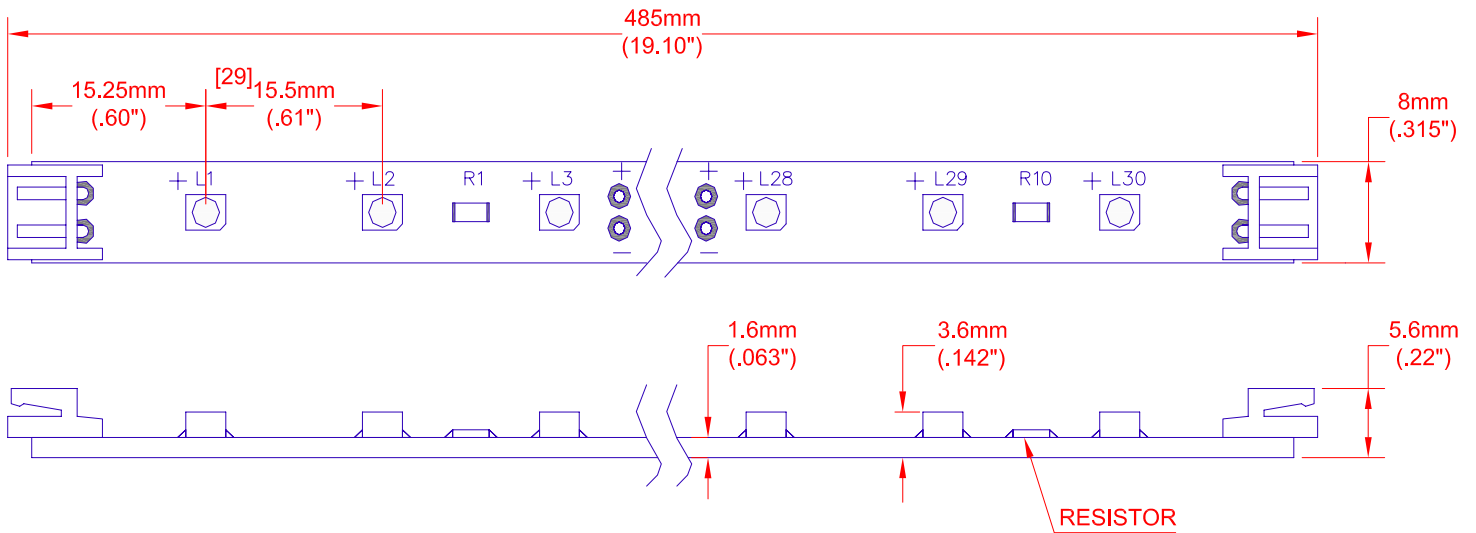
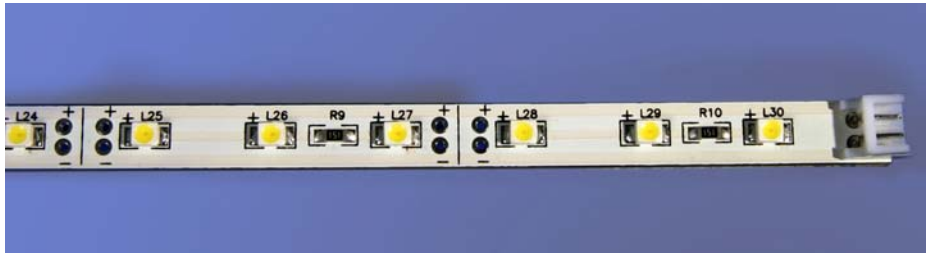
WORKING VOLTAGE: 12V DC.

WORKING CURRENT: 200mA.

LED VIEW ANGLE (2 θ 1/2): 120°.

PACKAGE: 1 PCS/PVC TUBE.

PRINTED CIRCUIT BOARD THICKNESS: 1.6mm



ATTENTION



OBSERVE PRECAUTION FOR HANDLING ELECTROSTATIC DISCHARGE SENSITIVE DEVICES

JKL PART NO.: ZRS-8485-WW

METRIC THIRD ANGLE PROJECTION		DIMENSIONS ARE IN mm (INCHES) TOLERANCE UNLESS OTHERWISE SPECIFIED 1 PL +/- 1 2 PL +/- ANGLE +/-		JKL COMPONENTS CORPORATION				
DRAWN BY L. WENGSTROM		APPV'D BY L. R.		DATE 1/31/08	SIZE A	FSCM NO. 55335	DRAWING NO. ZRS-8485-WW	
TITLE 8mm X 485mm WARM WHITE LED LIGHT BAR				SCALE NONE	RELEASED DATE 12/11/07	REVISION DATE 1/31/08	REV. NO. A	SHEET 1 OF 2
REV. NO.	DESCRIPTION/ECO NUMBER	APPV'D DATE	- CAD DRAWING - MANUAL REVISIONS NOT PERMITTED		RELEASED DATE 12/11/07	REVISION DATE 1/31/08	REV. NO. A	SHEET 1 OF 2

A	ADD ACCESSORIES NOTE PG 2 RELEASED	1/31/087 12/11/07
REV. NO.	DESCRIPTION/ECO NUMBER	APPV'D DATE

8mm X 485mm LED LIGHT BAR

Absolute Maximum Rating at TA = 25°C

Parameter	Symbol	Absolute Maximum Rating	Unit
Forward Current	IF	200	mA
Power Dissipation	PD	2.4	W
Electrostatic Discharge	ESD	800	V
Operating Temperature	Topr	-25~+60	°C
Storage Temperature	Tstg	-40~+80	°C

Electrical/Optical Characteristics at TA = 25°C

Parameter	Symbol	Condition	Min	Typ	Max	Unit
Forward Voltage DC	VF	IF = 200mA	--	12	--	V
Color Coordinates	x, y	IF = 200mA	.415	.430	.445	x
			.395	.420	.445	y
Luminous Flux	φV	IF = 200mA	--	70	--	lm
Recommend Forward Current	IF(rec)	--	--	200	--	mA

JKL ACCESSORIES TO BE ORDERED SEPARATELY
 PCB MOUNTING CLIP: ZRC-8
 INPUT CONNECTOR HARNESS: ZCH-200-I
 JOINER CONNECTOR HARNESS: ZCH-101-J

PACKAGING

