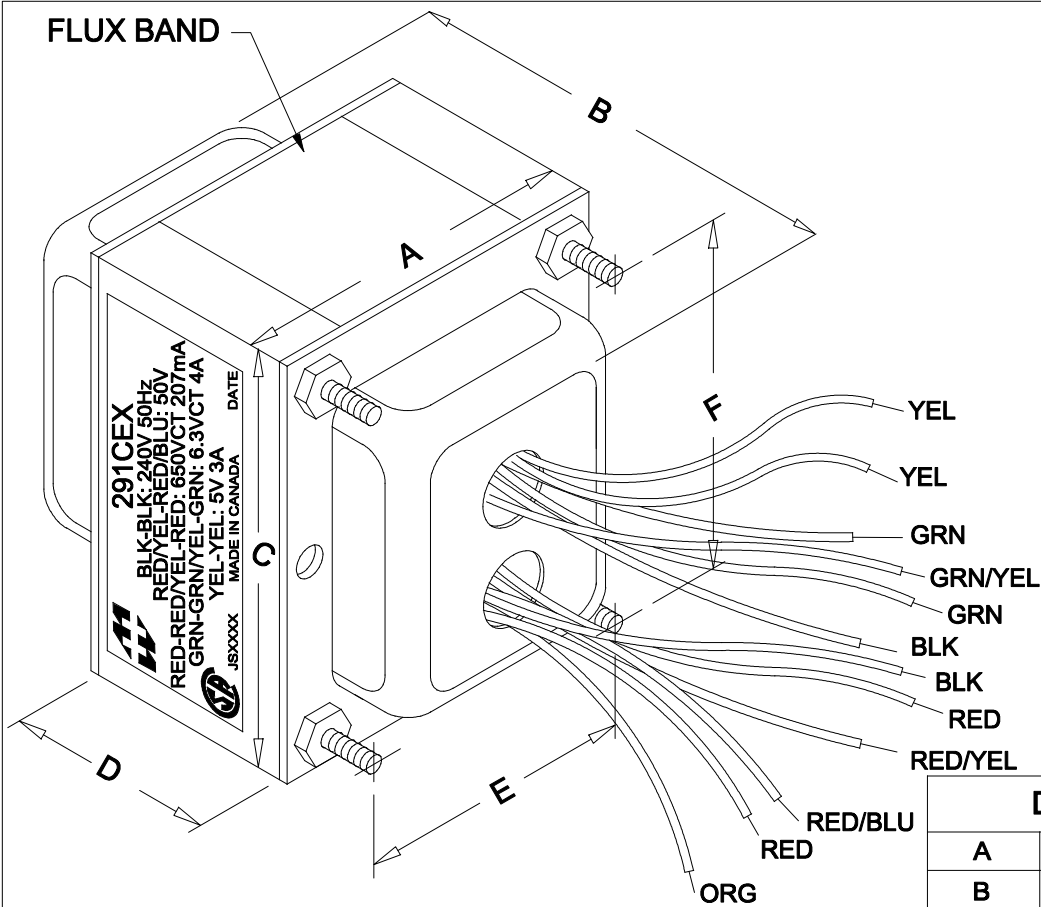


291CEX

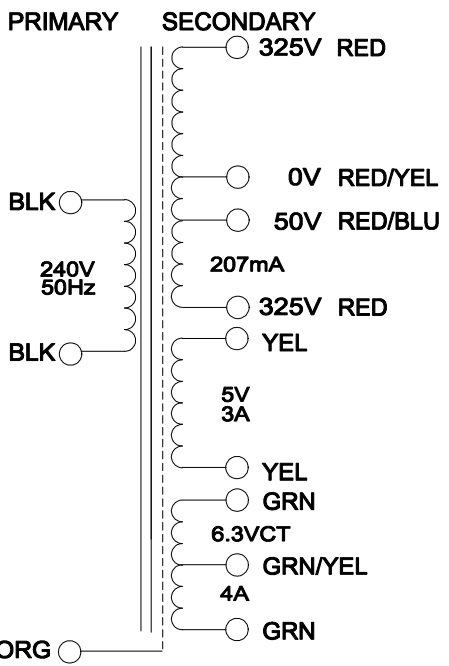


291CEX
 BLK-BLK: 240V 50Hz
 RED-YEL-RED/BLU: 50V
 RED-RED/YEL-RED: 650VCT: 207mA
 GRN-GRN/YEL-GRN: 6.3VCT 4A
 YEL-YEL: 5V 3A
 DATE _____
 JSXXXX
 MADE IN CANADA

DIMENSIONS:

A	3.125" ± 0.063
B	4.063" ± 0.125
C	3.750" ± 0.063
D	1.975" ± 0.063
E	2.500" ± 0.063
F	3.125" ± 0.063

NOTE: ALL LEADS 9" OUT MIN., STRIPPED .5"



ELECTRICAL DATA:

Turns ratio:	1 : 2.98 (RED - RED)	
Exciting Current	@ 240V, 50Hz, BLK - BLK = 250mA	Max.
DCR	@ 20C, BLK - BLK = 6.314 Ω	±20%
	@ 20C, RED - RED = 85.812 Ω	±20%
	@ 20C, YEL - YEL = 0.042 Ω	±20%
	@ 20C, GRN - GRN = 0.056 Ω	±20%
Pri. Voltage	240V 50Hz	
Sec. Voltage (RMS)	650VCT @ 207mA C/W 50V TAP, 5V @ 3A / 6.3VCT @ 4A	
No Load Voltage	715.18VCT/ 5.30V / 6.75V	

HAMMOND ELECTRONICS
 52 RANKIN PLACE,
 WATERLOO, ONTARIO, N2L 3Z5.
 PHONE (519) 886-6181
 FAX # (519) 886-9540

TITLE		291CEX		291CEX
			DR BY B.Pervaiz	
			DATE 08/25/08	
NO	DATE	REVISION	DIM IN(X)MM()	