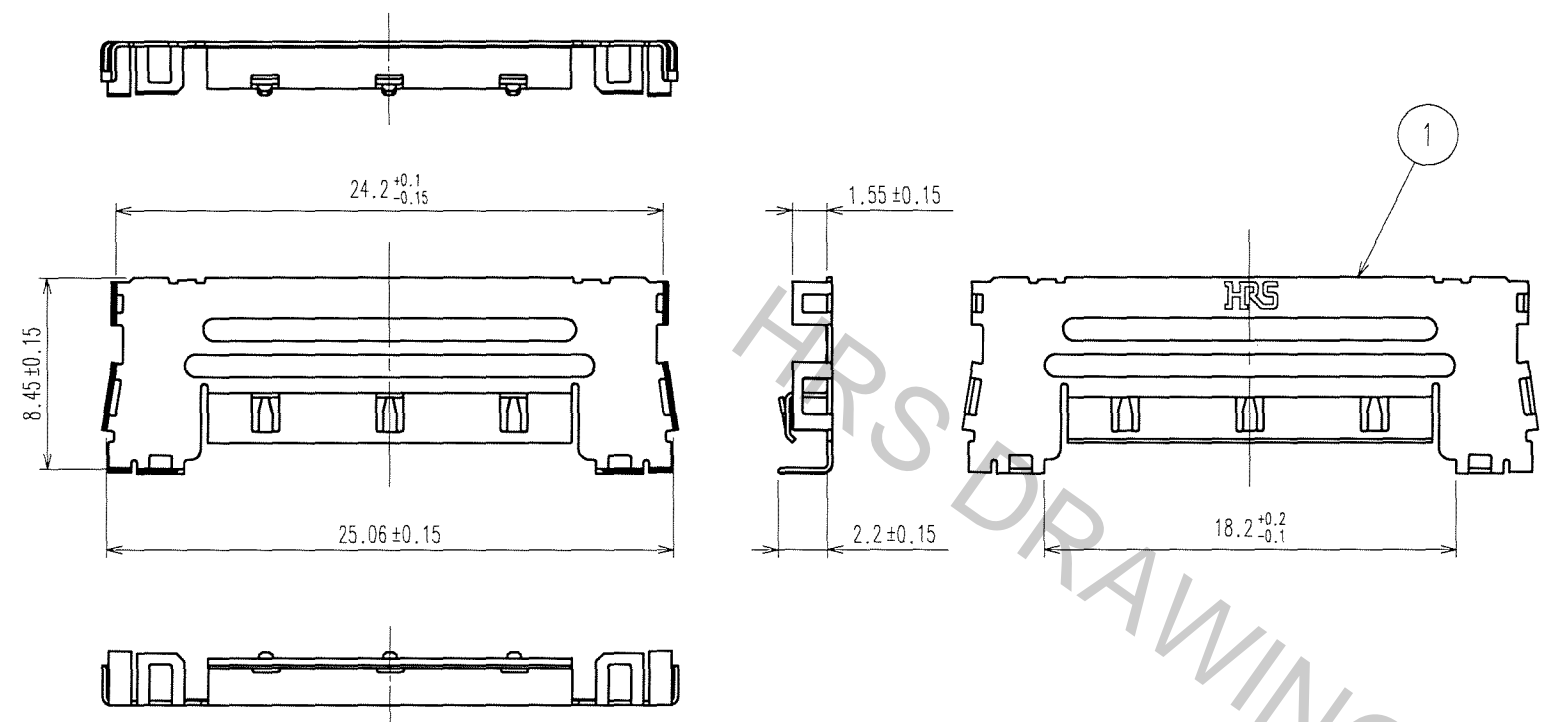


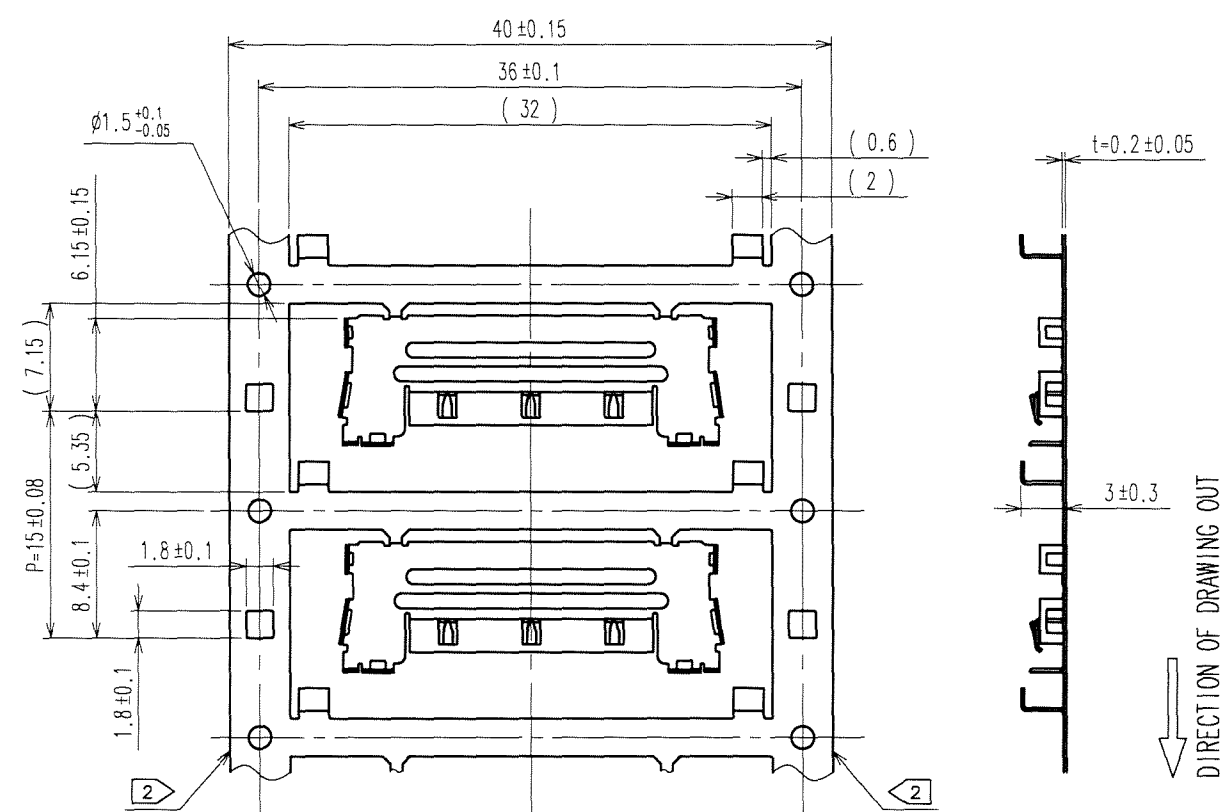
Apr.1.2017 Copyright 2017 HIROSE ELECTRIC CO., LTD. All Rights Reserved.

COUNT	DESCRIPTION OF REVISIONS	BY	CHKD	DATE	COUNT	DESCRIPTION OF REVISIONS	BY	CHKD	DATE
△				..	△				..
△				..	△				..
△				..	△				..



DETAILED FIGURE OF REEL (FREE)

DETAILED FIGURE OF CAREER (2 : 1)



- NOTE 1. MANUFACTURING PROCESS COULD LEAVE SCRATCH AND/OR PUNCH MARKS HAVING NO AFFECT ON THE PRODUCT PERFORMANCE.
 2. SIDE CUT CAN BE PROVIDED TO PREVENT CARRIER CURVE.
 3. 2500 PIECES PER REEL.
 4. LABEL AS SHOWN BELOW IS INDICATED.

HRS		INSPECTION
品名コード		検査
CODE No.	CL575-3312-3	
PART NO.	FX16-31P-GND	
品名	FX16-31P-GND	
QTY	2,500 PCS	
PECULIAR 仕様		
Lot No		
SPLICE 継ぎ目		

5. DIMENSION IN () ARE FOR REFERENCE.
 6. THIS IS A COMPONENT FOR SEPARATELY AVAILABLE PRODUCT; FX16-31P-0.5FC OR FX16-31P-0.5SD. WHEN MICRO COAXIAL CABLE IS USED FOR THE CABLE, MAKE SURE TO USE WITH THE SPECIFIED COMBINATION.

TO

NO.	MATERIAL	FINISH, REMARKS	NO.	MATERIAL	FINISH, REMARKS
1			1	STAINLESS	

CODE NO. (OLD) CL	DRAWN K. SHIBUYA 08.01.24	DESIGNED K. Shibuya 08.01.25	CHECKED H. Yamaguchi 08.01.25	APPROVED H. Okawa 08.01.25	RELEASED ..
SCALE FREE	DRAWING NO. EDC3-157684		PART NO. FX16-31P-GND		
UNITS mm	HRS HIROSE ELECTRIC CO., LTD		CODE NO. CL575-3312-3		1/1