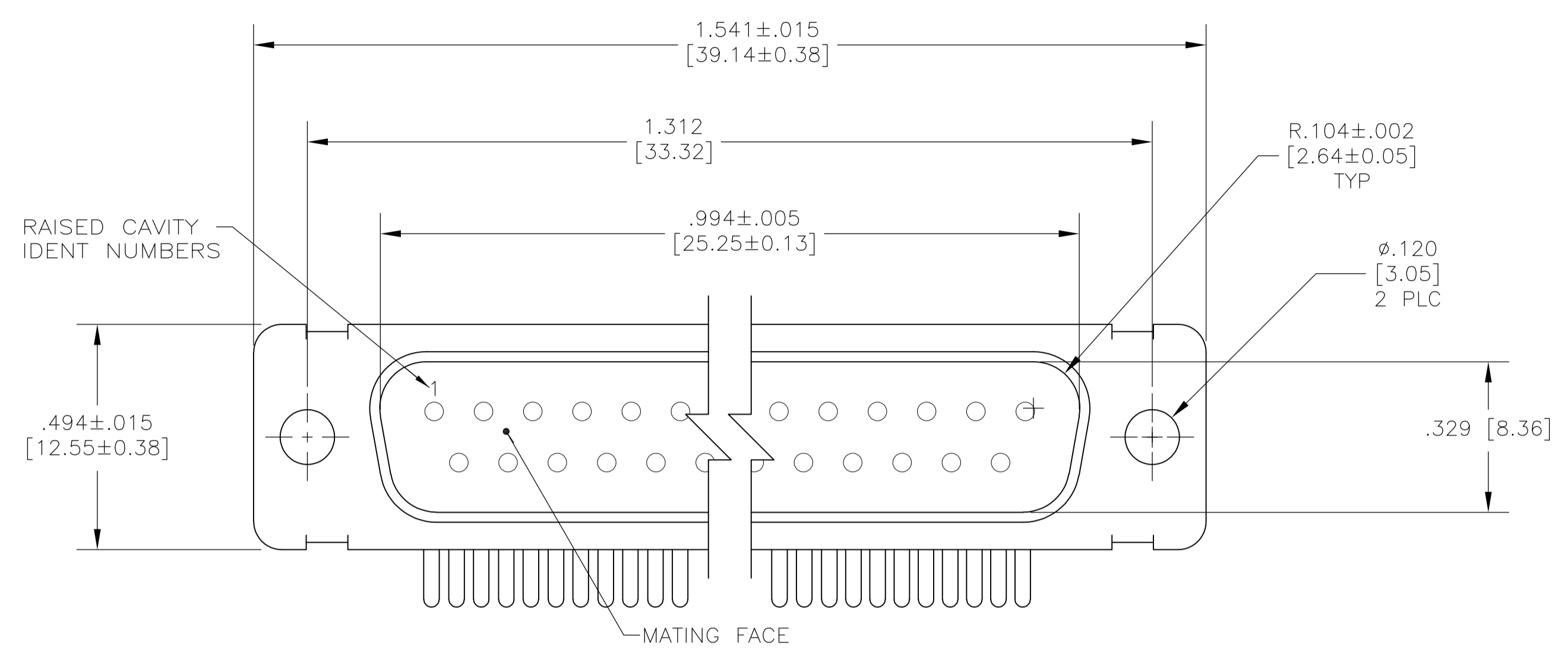
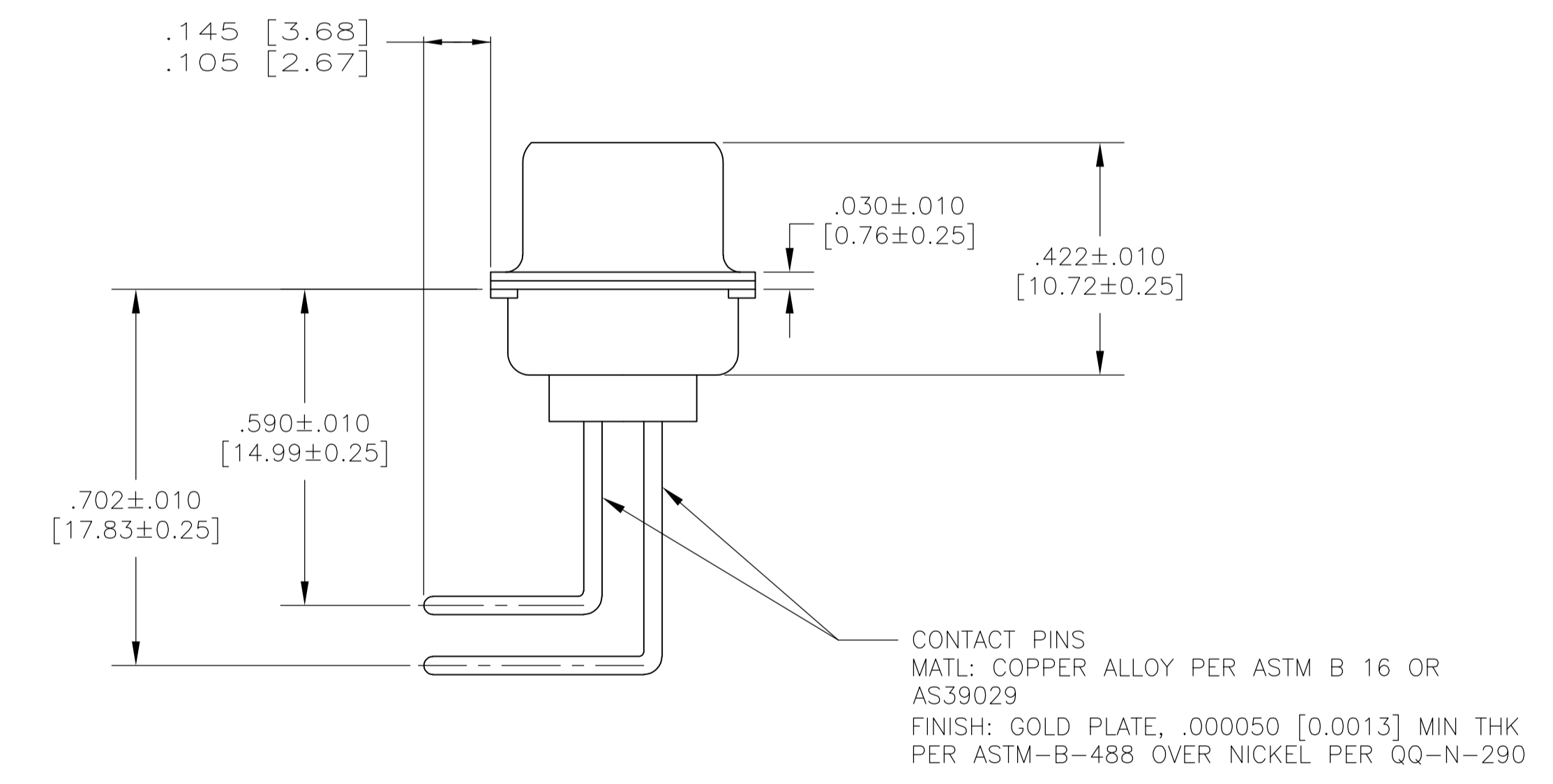
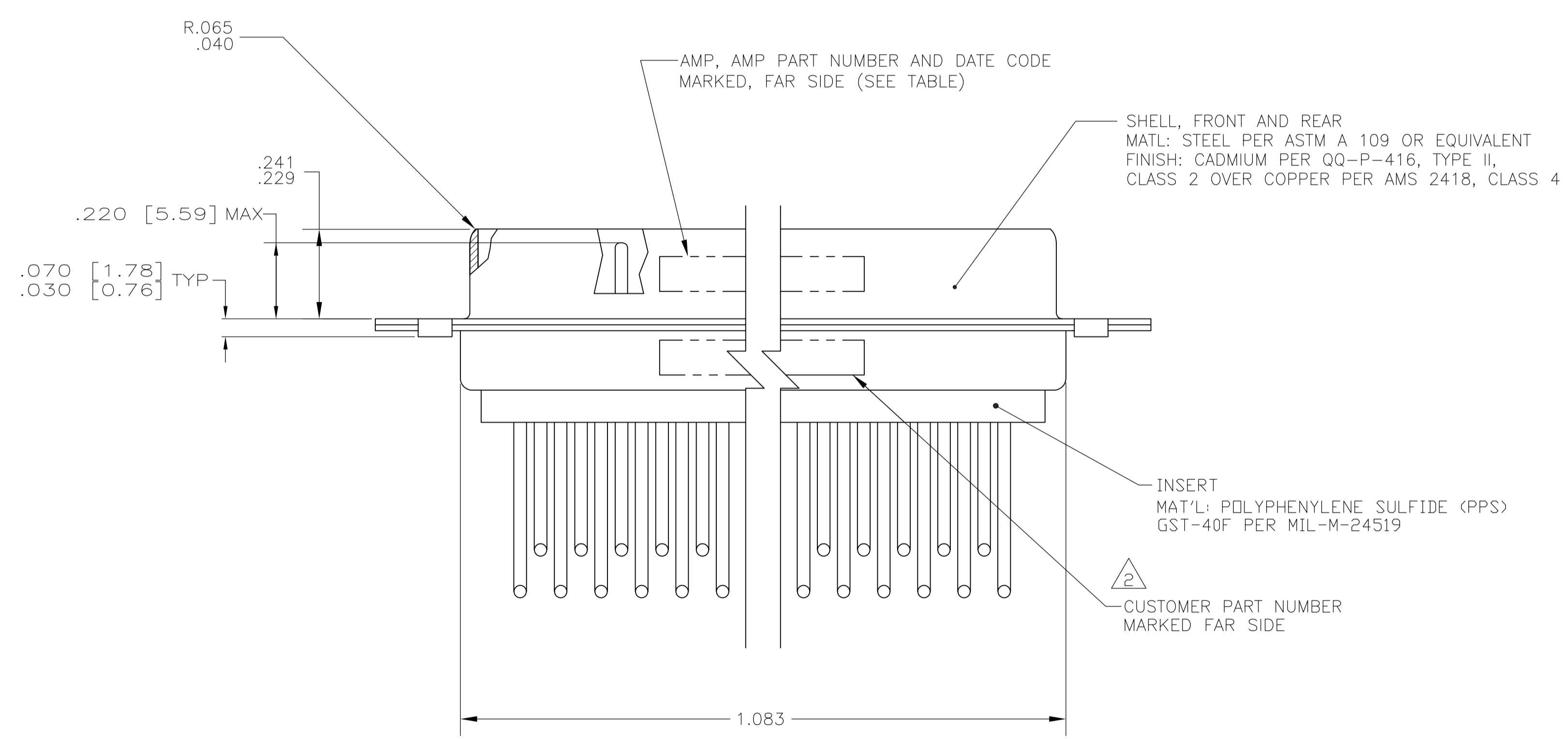


LOC		DIST		REVISIONS			
P	LTR	DESCRIPTION	DATE	DNW	APVD		
B		REV PER ECO 15-015338	10-30-15	CT	CT		



- THE CONNECTORS DESCRIBED IN THIS DOCUMENT MEET THE REQUIREMENTS OF MIL-C-24308 AND MATE WITH ANY RECEPTACLE CONNECTOR WITH SAME INSERT ARRANGEMENT
- \triangle MARKED .047-.062 HIGH CHARS. FAR SIDE REFERS TO THE WIDE SIDE OF THE KEYSTONE. NEAR SIDE REFERS TO THE NARROW SIDE OF THE KEYSTONE. IF THE REAR SHELL IS TOO SMALL FOR THE ENTIRE CUSTOMER PART NUMBER, MARKING SHALL BE LOCATED AS FOLLOWS:
- AMP PART NUMBER ON REAR SHELL, NEAR SIDE
 - "AMP" AND DATE CODE ON FRONT SHELL, NEAR SIDE
 - CUSTOMER PART NUMBER ON REAR SHELL, FAR SIDE



016131-002	593321-1	593321-1
MARK CUSTOMER PART NO	MARK AMP PART NO	PART NO.

THIS DRAWING IS A CONTROLLED DOCUMENT.		DIN P YEAGER 24APR07		TE Connectivity	
DIMENSIONS: INCHES		CHK D MILLER 25APR07			
TOLERANCES UNLESS OTHERWISE SPECIFIED:		APP'D D MILLER 25APR07		NAME	
0 PLC ± - 1 PLC ± - 2 PLC ± .01 3 PLC ± .005 4 PLC ± - ANGLES ± -		PRODUCT SPEC		ASSEMBLY, AMPLIMITE, PLUG, RIGHT ANGLE, SERIES 109	
MATERIAL SEE CALLOUTS		FINISH SEE CALLOUTS		APPLICATION SPEC	
		WEIGHT		SIZE CAGE CODE DRAWING NO RESTRICTED TO	
		A1 00779		593321	
CUSTOMER DRAWING		SCALE 4:1		SHEET 1 OF 1 REV B	