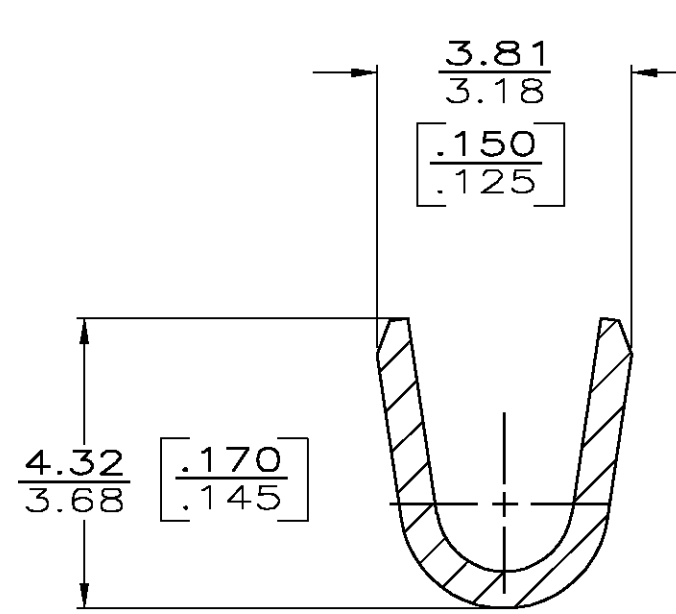
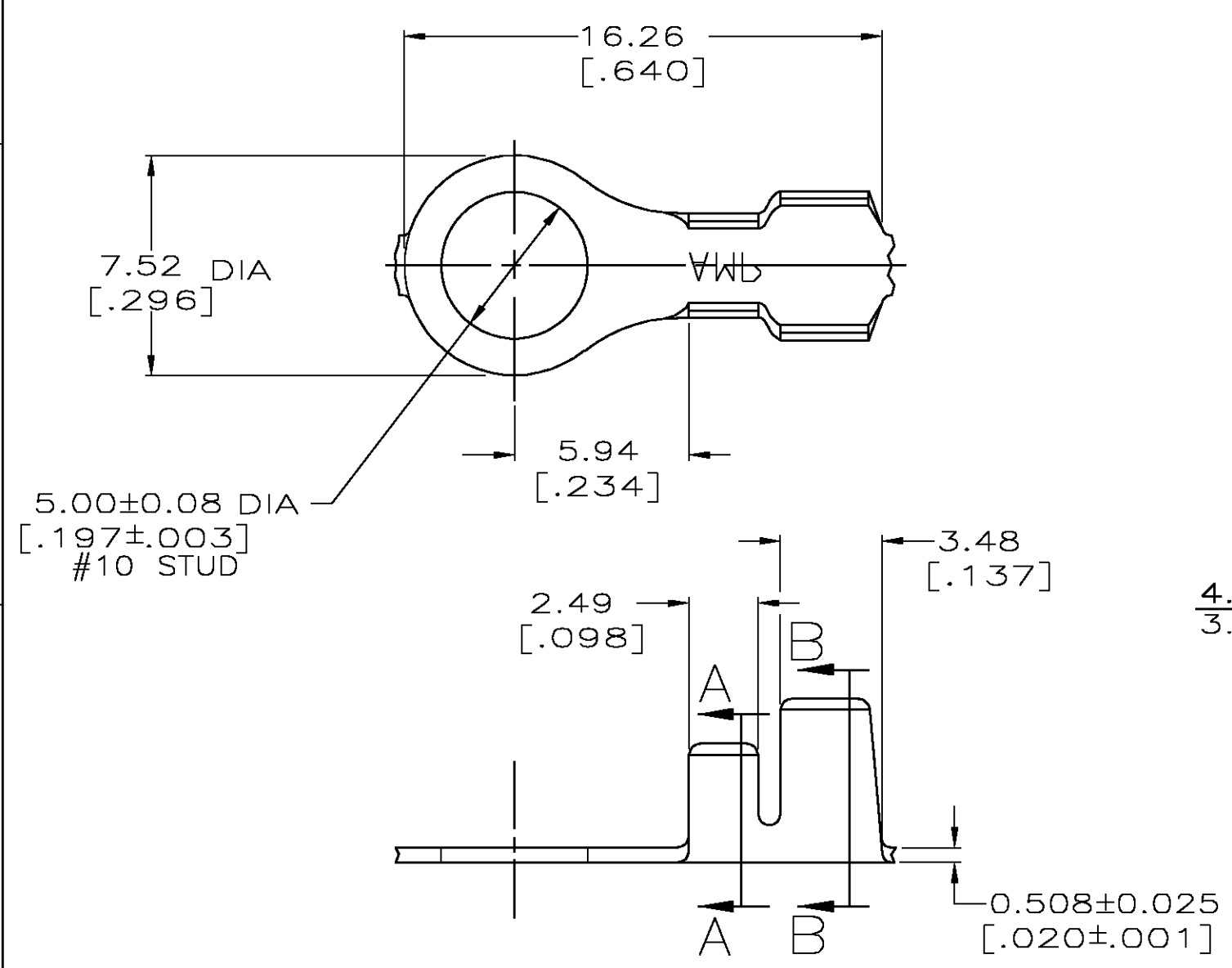
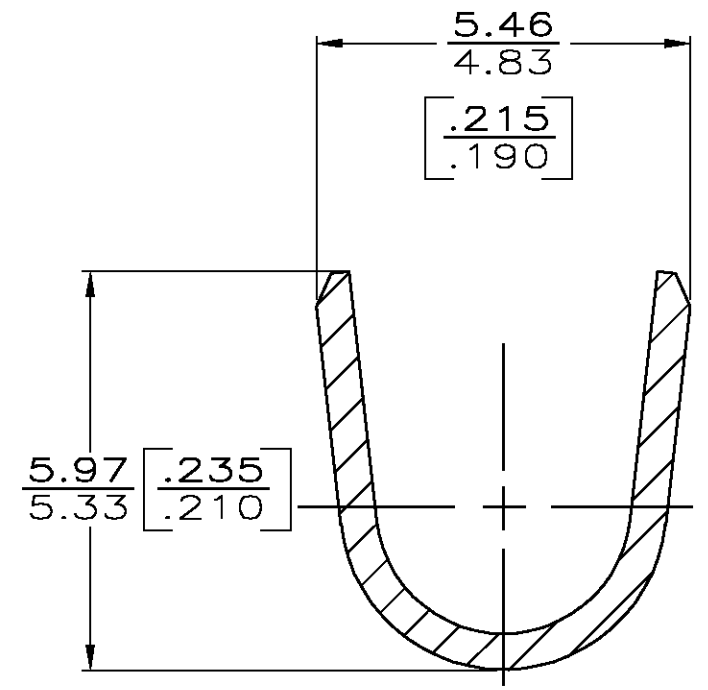


| LOC | DIST | REVISIONS |     |                      |         |     |      |
|-----|------|-----------|-----|----------------------|---------|-----|------|
| AF  | 50   | P         | LTR | DESCRIPTION          | DATE    | DWN | APVD |
|     |      |           | N   | REV PER 0G3A-0109-03 | 02MAY03 | JR  | DD   |

- CONTINUOUS STRIP ON REEL.
- WIRE SIZE IS 0.8-2.0mm [18-14]AWG
- INSULATION RANGE IS 3.05-4.32 [.120-.170] DIA.



SECTION A-A  
SCALE 10:1



SECTION B-B  
SCALE 10:1

41560  
PART NO

|   |  |                  |           |             |  |           |            |               |
|---|--|------------------|-----------|-------------|--|-----------|------------|---------------|
| THIS DRAWING IS A CONTROLLED DOCUMENT.  |  | DWN              | P FORTNEY | 7/22/91     | Tyco Electronics Corporation<br>Harrisburg, PA 17105 |           |            |               |
| DIMENSIONS:<br>mm [ INCHES ]  |  | CHK              | MS FEHER  | 8/8/91      |  |           |            |               |
|   |  | APVD             | R WEAVILL | 8/8/91      |  |           |            |               |
| TOLERANCES UNLESS OTHERWISE SPECIFIED:  |  | NAME             |           | RING TONGUE |  |           |            |               |
| 0 PLC ± -<br>1 PLC ± -<br>2 PLC ± 0.25 [.010]<br>3 PLC ± -<br>4 PLC ± -<br>ANGLES ± - |  | PRODUCT SPEC     |           | -           |  |           |            |               |
| MATERIAL  |  | APPLICATION SPEC |           | -           | SIZE   | CAGE CODE | DRAWING NO | RESTRICTED TO |
| 082 BRASS   |  | FINISH           |           | -           | A3   | 00779     | 41560      | -             |
|   |  | WEIGHT           |           | -           | CUSTOMER DRAWING                                     |           | SCALE      | SHEET         |
|   |  |                  |           |             |  |           | 5:1        | 1 OF 1        |
|   |  |                  |           |             |  |           |            | REV           |
|   |  |                  |           |             |  |           |            | N             |