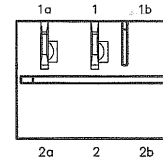
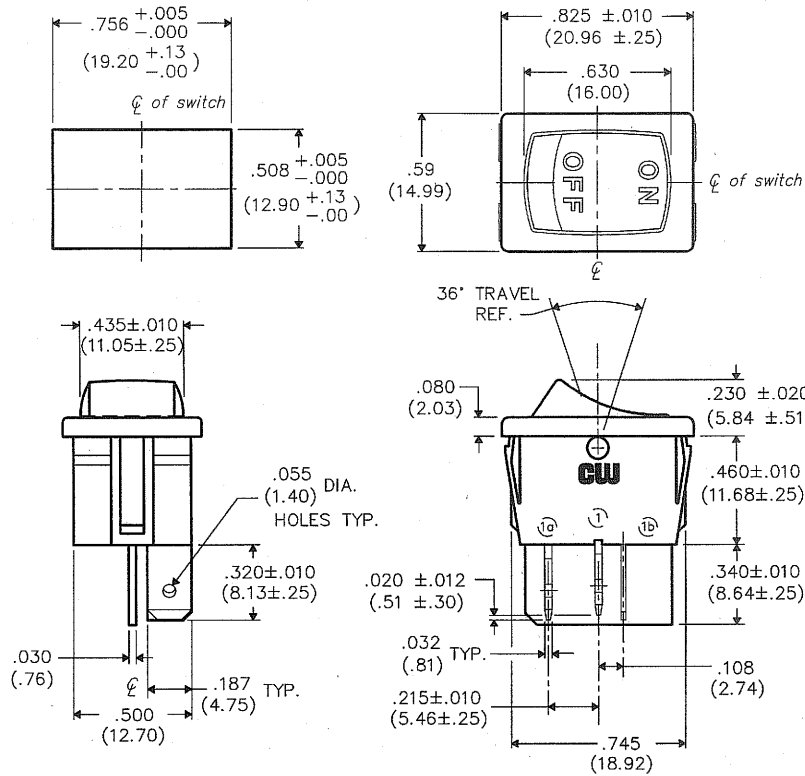


PANEL PIERCING



**BOTTOM VIEW
(RELOCATED)**

MATERIAL:

ROCKER KNOB- Nylon 6/6, Color- Red
HOUSING- Nylon 6/6, Color- Black
MOVING CONTACT & TERMINALS- Copper Alloy/Micro-Finish

RATING: UL/CSA

8A. 125VAC 4A. 250VAC
3A. 277VAC

THIS INFORMATION IS CONFIDENTIAL AND PROPRIETARY TO CW INDUSTRIES INCORPORATED AND ITS AFFILIATES. IT MAY NOT BE DISCLOSED TO ANYONE OTHER THAN CW INDUSTRIES PERSONNEL, WITHOUT WRITTEN AUTHORIZATION FROM CW INDUSTRIES INCORPORATED, SOUTHAMPTON, PENNSYLVANIA USA.

1	2	3	4	5	6	7	8	9	10
---	---	---	---	---	---	---	---	---	----

B-FORMAT 2002	REVISIONS	0	
		RELEASED.	
		DCW 2-24-2012	

PDF Made	cw INDUSTRIES Southampton, Pa. 18966	Title: ON - OFF SWITCH ASSEMBLY (POP IN) S.P.- S.T.
	TOLERANCES UNLESS OTHERWISE SPECIFIED	
	2 Place Decimal ±.010 METRIC 3 Place Decimal ±.005 1 Place Dec. ±.25mm Angles ±1° 2 Place Dec. ±.13mm	
	Made for: CW IND.	Division: SWITCH
Drawn by: DGW 2-24-2012	Dwg. No. GRSV-4011-0137	
Checked by: G. Guld 2-24-12		
Approval: G. Guld 2-24-12		

MASTER