

SPECIFICATION

Part No. : **MB.200.C**

Product Name : Magneto

Features : 3 Way Base Mount for LTE or WIFI MIMO 2*2 antennas

- Magnetic Mount
- Wall Mount
- Desktop Mount

SMA(F) Jacks for Antennas
 SMA(M) Straight Plug on Cable
 Standard RG316 1 meter cable length
 Dimensions 80mm *96mm * 25mm
 RoHS compliant



Desk Top/ Magnetic Mount



Wall Mount

1. Introduction

The MB.200 is a sturdy 3 way base mount for LTE or WIFI MIMO 2*2 Antennas. The standard base version comes with high quality 1 meter small diameter Teflon jacket RG316 cable to allow for flexibility of placement. The base has undergone extensive pull force testing.

The base SMA connectors where the antenna elements connect are SMA(F), so the mating antenna needs to be SMA(M) straight connector type. The base cable itself has a SMA(M) connector. The cable length and cable connector types are customizable, subject to MOQ. The connector can be customizable on the base itself subject to NRE and MOQ.

Options

- Magnetic
- Desktop
- Wall

Magnetic Mount

With six super-magnets embedded, the base mounts permanently to metal surfaces

Wall Mount

Mounting holes in the base make it easy to mount on a wall

Desktop

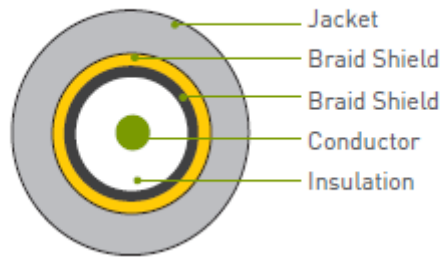
EVA foam under the base ensures a good grip for desktop use

In practice any antenna model with a standard SMA(M) connector can be used with this base. Taoglas has for 2G/3G/4G applications the TG.35, TG.30, TG.09, or TG.08 For Dual-band WiFi we recommend the TG35 or the GW71.

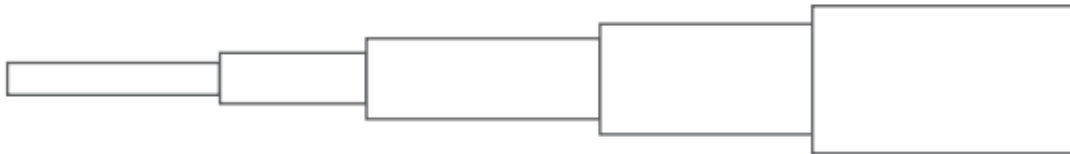
Contact your regional Taoglas sales office for support.

2. RG316 Cable Specification

2.1 Drawing – Cross Section



2.2 Structure and Dimensions

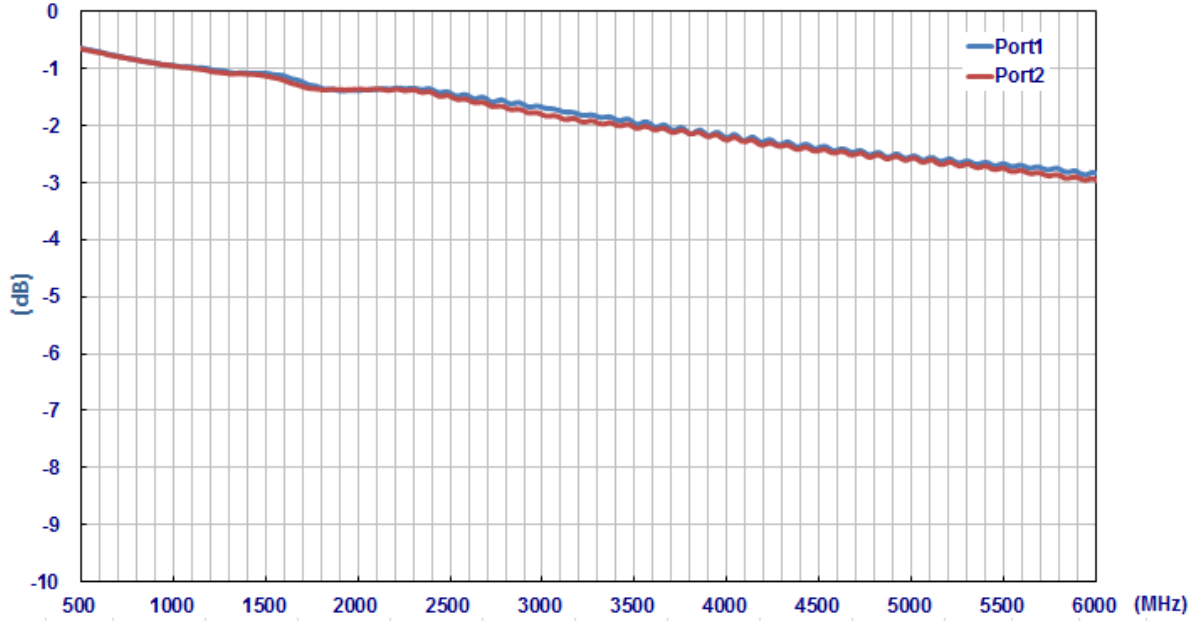


Conductor	Insulation	Braid Shield	Braid Shield	Jacket
<ul style="list-style-type: none"> Material - Silver Coated Copper Clad Steel 26AWG (7/0.175mm) Diameter - 0.53mm 	<ul style="list-style-type: none"> Material - FEP Avg. Thickness - 0.51mm Diameter - 1.53±0.03mm Colour - Clear 	<ul style="list-style-type: none"> Material - Silver Coated Copper Structure - 16/5/0.10mm Coverage - 95% Diameter - 1.98±0.05mm 	<ul style="list-style-type: none"> Material - Silver Coated Copper Structure - 16/5/0.10mm Coverage - 86% Diameter - 2.38 ± 0.05mm 	<ul style="list-style-type: none"> Material - FEP Avg. Thickness - 0.30mm Diameter - 2.90±0.10mm Colour - Brown

Rating Temp Voltage:	105°C 30V
Insulation Resistance:	3000 MΩ-Km (Min)
Conductor Resistance:	302 Ω/Km 20°C (Max)
Dielectric Strength:	AC 1 KV/Minute
Spark Test	5.0 KV
Nom. Impedance	50 ± 3 Ω
Nom. Capacitance	95.8 ± 3 pF/m
Nom. Vel. of Prop.	69%
VSWR (0-6 GHz)	Max 1.3

Attenuation	2GHz	2.4GHz	3GHz	4GHz	5GHz	6GHz
(dB / 1M)	1.35	1.5	1.62	1.91	2.2	2.7

2.3 Cable Insertion Loss



2.4 Electrical & Physical Specification

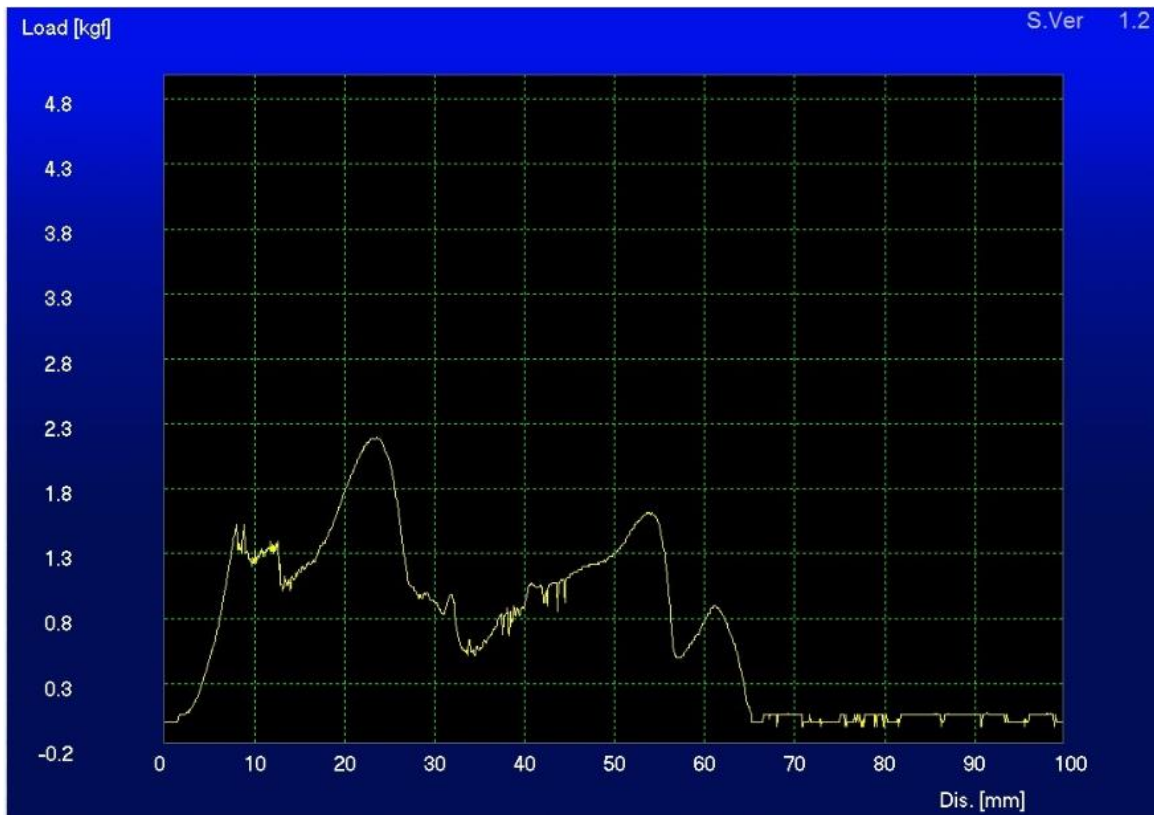
MB200 Port1							
Attenuation	500MHz	1000MHz	2000MHz	3000MHz	4000MHz	5000MHz	6000MHz
S12	-0.64	-0.94	-1.39	-1.68	-2.21	-2.54	-2.84
Nom. Impedance	50 Ohm						
MB200 Port1							
Frequency (MHz)	500MHz	1000MHz	2000MHz	3000MHz	4000MHz	5000MHz	6000MHz
S12	-0.66	-0.96	-1.36	-1.81	-2.25	-2.58	-2.96
Nom. Impedance	50 Ohm						
MECHANICAL							
Casing	ABS+PC						
Coaxial Cable	RG316						
Cable Length	1 meters						
Connector	SMA(M)ST						
Connector Max. Torque	0.9 Nm						
Weight	220 g						
Magnetic mount (unit)	1.0 kgf						
ENVIRONMENTAL							
Operation Temperature	-40°C to 85°C						
Storage Temperature	-40°C to 85°C						
Humidity	Non-condensing 65°C 95% RH						

3. Magnetic Pull Force (Kilogram-Force (kgf))

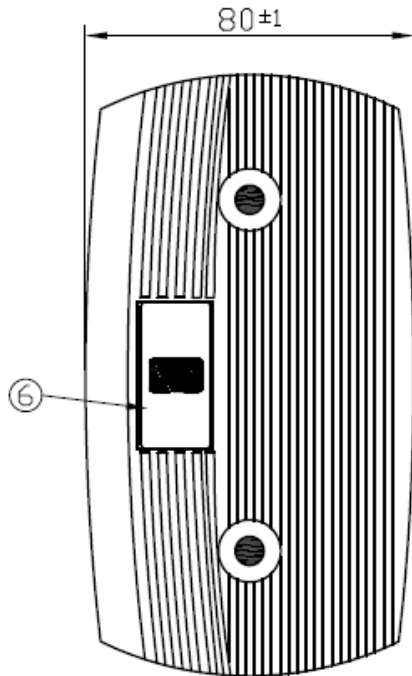


Horizontal Pull Force Breakdown : 1.28Kgf

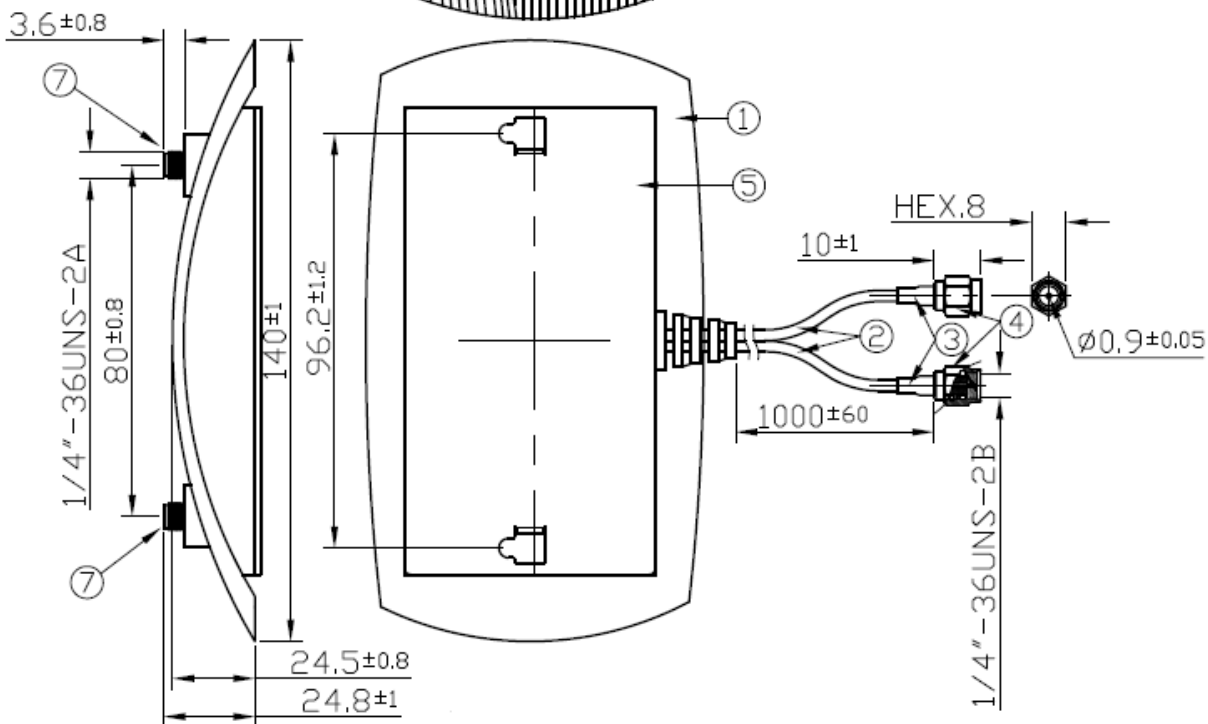
Distance(mm)	10	20	30	40	50	60	70
Pulling force(Kgf)	1.28	1.79	0.92	0.93	1.3	0.79	0.06



4. Mechanical Drawing

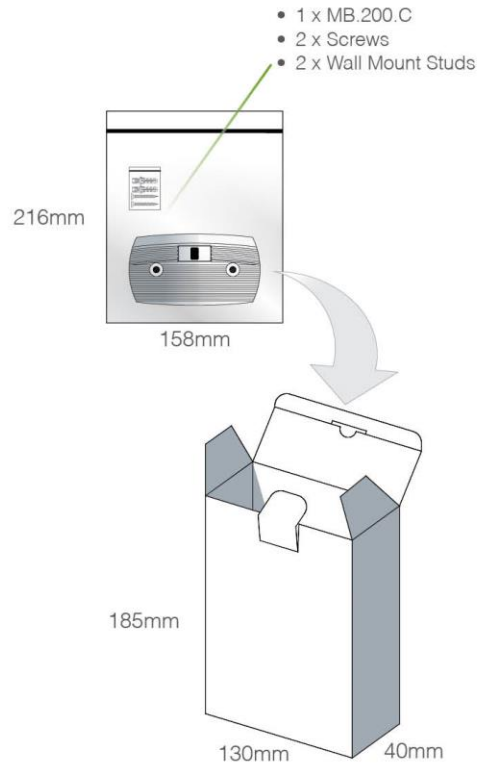


	Name	P/N	Material	Finish	QTY
1	Housing	000114E000087A	ABS+PC	Black	1
2	RG316 Coaxial Cable	301614E000087A	FEP	Brown	2
3	Heat Shrink Tube	001313D000087A	PE	Black	2
4	SMA(M)ST	200212L010087A	Brass	Gold	2
5	MB.200 Bottom Foam	001014E050087A	EVA+T4000	Black	1
6	MB.200 Logo Label $\Delta 003$	001014E040087A	Coated Paper $\Delta 003$	Black	1
7	SMA(F)BH ST	200214J000087A	Brass	Gold	2



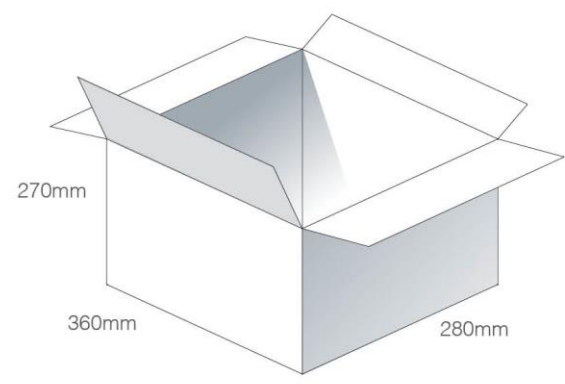
5. Packaging

1 MB.200.C per PE bag
 Bag Dimensions - 216cm*158cm
 1 PE bag per Box
 Box Dimensions - 185*130*40mm
 Total Weight - 180g

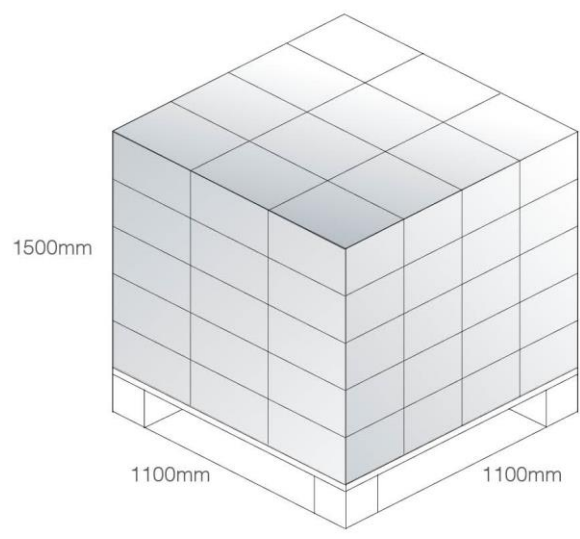




19 boxes per carton
Carton Dimensions - 360*280*270mm
Weight - 5Kg



Pallet Dimensions 1100*1120*1500mm
60 Cartons per Pallet
12 Cartons per layer
5 Layers



6. Mounting Type

6.1 Wall Mount installation



Reference Antenna: TG.35.0113

6.2 Magnet Mount installation



Reference Antenna: TG.35.0113

6.3 Desktop Mount installation

