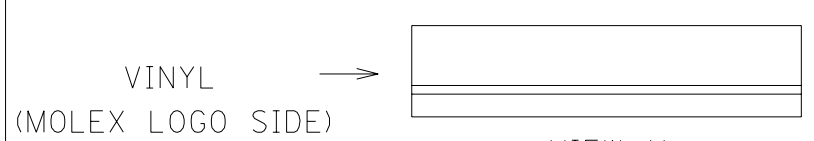


DWG. NO. SD-35303-001

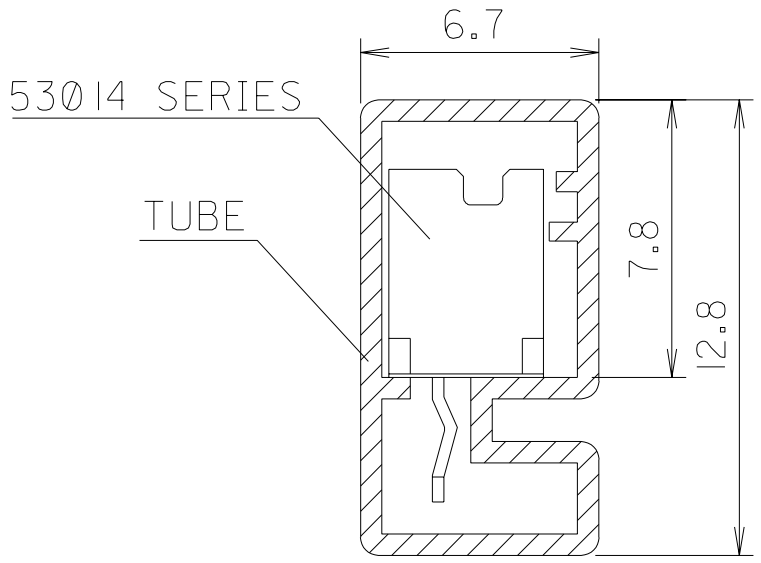
SIMILAR ITEM

PROJECT NO.



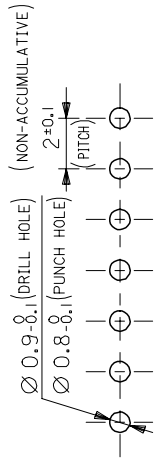
NOTES
 1. TUBE : STOPPER & VINYL LOCKING TYPE
 2. THICKNESS : 0.6+
 3. LENGTH : 550mm

LEGEND 35303-*** 5 *
 COLOR : 0 --- NATURAL
 1 --- BLACK
 2 --- RED
 3 --- YELLOW
 4 --- BLUE
 CKT (02, 03, 04, ...)



15	35303155*	35303-155*	8	35303085*	35303-085*	53014 SERIES	
14	35303145*	-145*	7	35303075*	-075*		
13	35303135*	-135*	6	35303065*	-065*		
12	35303125*	-125*	5	35303055*	-055*		
11	35303115*	-115*	4	35303045*	-045*		
10	35303105*	-105*	3	35303035*	-035*		
9	35303095*	35303-095*	2	35303025*	35303-025*		
CKTS	MAT'L NO.	ENG NO.	CKTS	MAT'L NO.	ENG NO.		USED ON

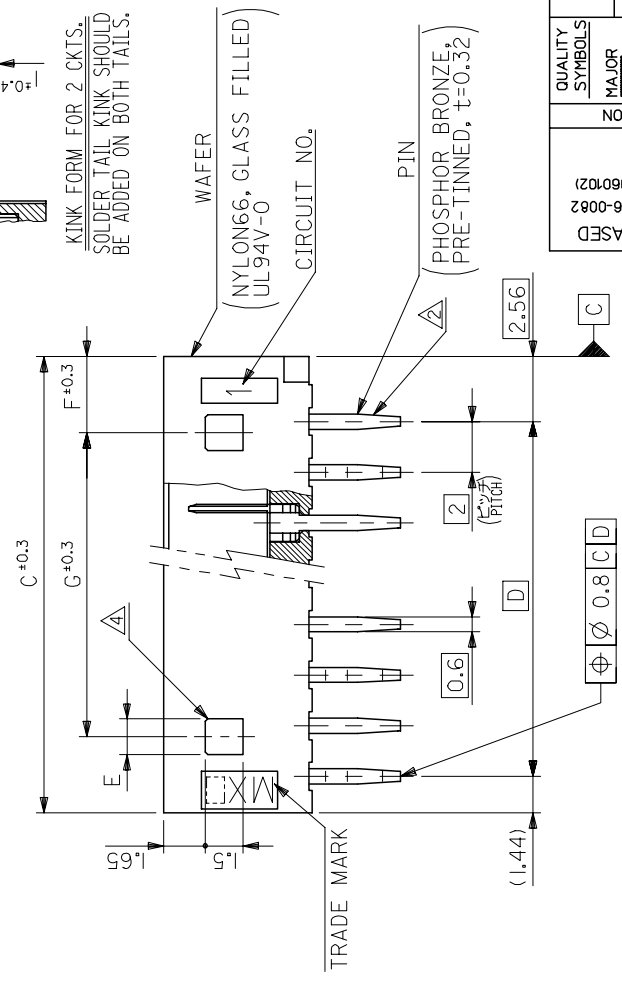
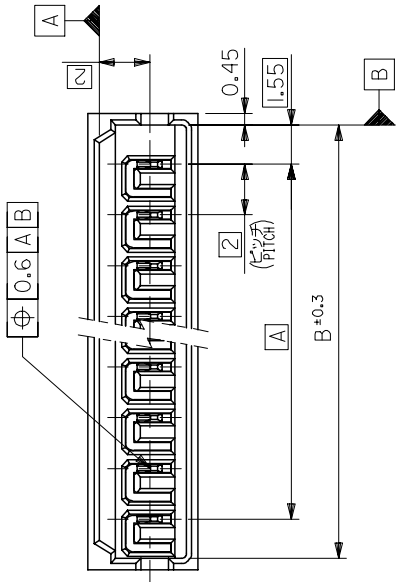
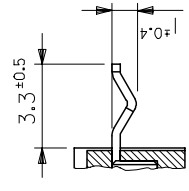
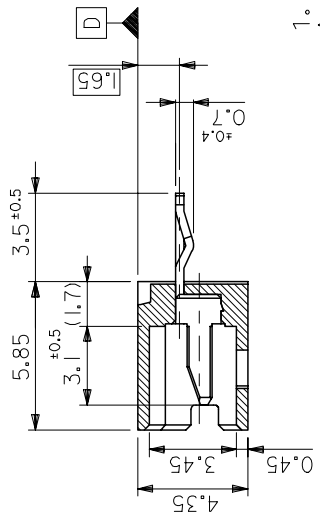
NEW RELEASED EC NO. KOR2004-0124 DRWN: K.S.KIM (040324) CH'K: J.K.OH APPR: C.W.LEE	DESCRIPTION MAJOR = CRITICAL =	GENERAL TOLERANCES: (UNLESS SPECIFIED)		SCALE NONE	DESIGN UNITS <input checked="" type="checkbox"/> mm <input type="checkbox"/> INCH	THIRD ANGLE PROJECTION	DIMENSIONS: <input type="checkbox"/> mm <input type="checkbox"/> INCH <input checked="" type="checkbox"/> mm ONLY	SHT REV
		4 PLACES ±0. ±.	DRAWN BY & DATE H.S.SHIN (910220)	TITLE: TUBE PACKAGED FOR 53014 SERIES				
		3 PLACES ±0. ±.	CHECKED BY & DATE J.K.OH					
		2 PLACES ±0. ±.	APPROVED BY & DATE C.W.LEE	MOLEX INCORPORATED KOREA				
1 PLACE ±0. ±.	CAD FILENAME SD-35303-001	MATERIAL NO. SEE TABLE	DRAWING NO. SD-35303-001				SHEET NO. 1 OF 1	
DRAFT WHERE APPLICABLE MUST REMAIN WITHIN DIMENSIONS	THIS DRAWING CONTAINS INFORMATION THAT IS PROPRIETARY TO MOLEX INCORPORATED AND SHOULD NOT BE USED WITHOUT WRITTEN PERMISSION.						SIZE A	



RECOMMENDED P.C. BOARD
HOLE DIMENSION(REFERENCE) t=1.6

NOTES

- MATES WITH : 51004-***00
- KINK TO BE ADDED ON THE ODD NUMBER SOLDER TAILS.(FROM THE TRADE MARK SIDE.)
- * MARK INDICATES DYED COLOR :
"0" NATURAL, "1" BLACK, "2" RED, "3" YELLOW, "4" BLUE
- LOCKING HOLE : 1 PLACE FOR 2, 3 CKTS. AND 2 PLACES FOR 4 CKTS. AND MORE THAN 4 CKTS.



26	3	1.4	28	31.1	28	53014-15*	35303-155*	15
24	3	1.4	26	29.1	26	-14*	35303-145*	14
22	3	1.4	24	27.1	24	-13*	35303-135*	13
20	3	1.4	22	25.1	22	-12*	35303-125*	12
18	3	1.4	20	23.1	20	-11*	35303-115*	11
16	3	1.4	18	21.1	18	-10*	35303-105*	10
14	3	1.4	16	19.1	16	-09*	35303-095*	9
12	3	1.4	14	17.1	14	-08*	35303-085*	8
10	3	1.4	12	15.1	12	-07*	35303-075*	7
8	3	1.4	10	13.1	10	-06*	35303-065*	6
6	3	1.4	8	11.1	8	-05*	35303-055*	5
4	3	1.4	6	9.1	6	-04*	35303-045*	4
---	4	3.4	4	7.1	4	-03*	35303-035*	3
---	3	1.4	2	5.1	2	53014-02*	35303-025*	2
G	F	E	D	C	B	A	ENG. NO. Δ	NO. OF CKTS.

GENERAL TOLERANCES: (UNLESS SPECIFIED)		SCALE	DESIGN UNITS	THIRD ANGLE PROJECTION	DIMENSIONS:	SHT	REV
MIT	INCH	5:1	MIT/INCH		MIT/INCH	MIT/INCH	MIT/INCH
4 PLACES $\pm 0.$	$\pm .$	DRAWN BY & DATE		TITLE:			
3 PLACES $\pm 0.$	$\pm .$	K.S.KIM (060102)		2.0 LOW PROFILE WAFER ASSY			
2 PLACES $\pm 0.$	$\pm .$	CHECKED BY & DATE		MATERIAL NO. Δ MOLEX INCORPORATED			
1 PLACE $\pm 0.$	$\pm .$	Y.Soo/KIM		DRAWING NO. SD-35303-010			
ANGULAR: \pm	\circ	APPROVED BY & DATE		SHEET NO. 1 OF 1			
DRAFT WHERE APPLICABLE MUST REMAIN WITHIN DIMENSIONS		S.H.CHOI		SIZE B			
		CAD FILENAME		KOREA			
				MX-A3			

QUALITY SYMBOLS	DESCRIPTION	APP.:	CHK.:	DRWN.:	ECN NO.:	NEW RELEASED
	MAJOR	S.H.CHOI	Y.Soo/KIM	K.S.KIM (060102)	KOR2006-0082	
	CRITICAL					
	KINK					

ANGLE	GENERAL TOLERANCES
30 OVER	± 0.3
10 OVER 30 UNDER	± 0.25
10 UNDER	± 0.2

DO NOT SCALE DRAWING
DIMENSION IN METRIC