

THIS DRAWING IS UNPUBLISHED.

RELEASED FOR PUBLICATION

2000

© COPYRIGHT 2000

ALL RIGHTS RESERVED.

LOC
A1

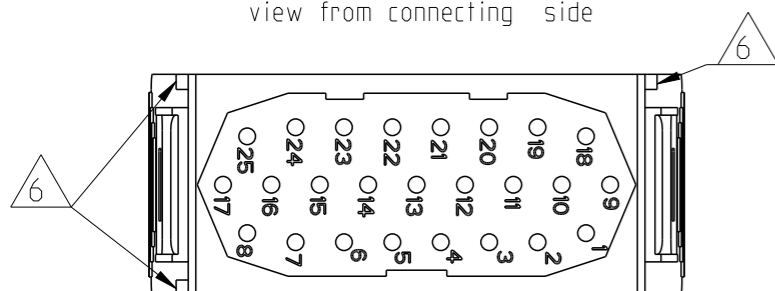
DIST

REVISIONS

| P | LTR | DESCRIPTION | DATE | DWN | APVD |
|---|-----|---------------|-----------|-----|------|
| | C | ECR-15-007656 | 05JUN2015 | GSK | JB |

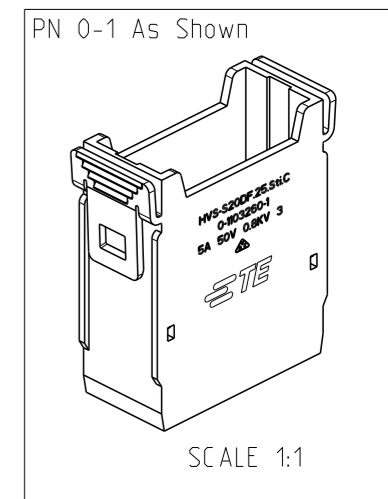
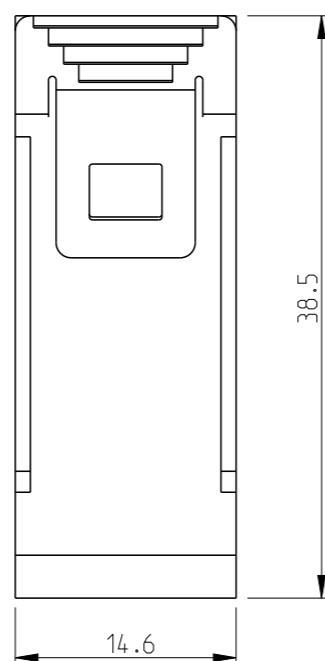
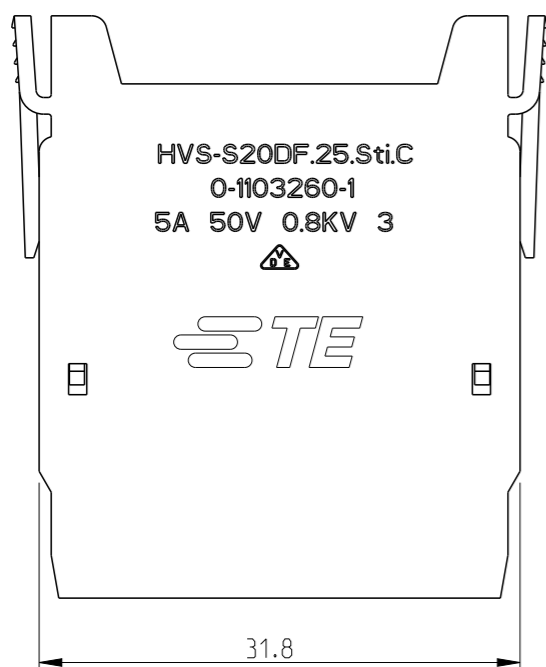
PN 0-1 As Shown

Contact arrangement
view from connecting side

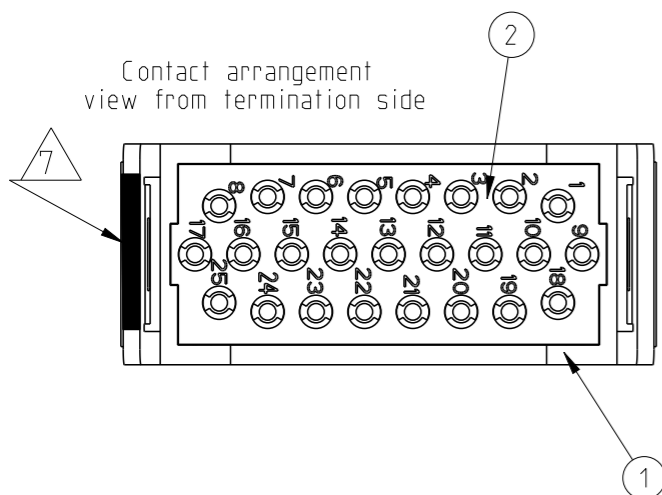


NOTES

- SUITABLE CRIMP CONTACTS: SERIES S20DF
CATALOG: 889745
OUTER DIMENSIONS OF INSULATION: MAX. Ø1.6mm
- SUITABLE MODULE FIXING FRAME: SERIES HVS SIZE 3 TO 8
CUSTOMER DRAWING: 1103250
- SUITABLE INSERTION TOOL:
CUSTOMER DRAWING: 1102855
- SUITABLE EXTRACTION TOOL:
CUSTOMER DRAWING: 1102855
- STANDARDS:
DIN EN 61984; DIN EN 60664-1
- POLARIZATION RIBS
- MARKING OF POLARIZATION ACCORDING TO MARKING OF MODULE FRAME
- PACKAGING:
10 SETS IN A CARTON, PRE-MOUNTED



Contact arrangement
view from termination side



| QTY | DESCRIPTION | MATERIAL | COLOR | ITEM NO |
|-----|----------------|----------|------------|--------------------|
| 1 | MALE INSERT | PBT-GF10 | LIGHT GREY | HVS-S20DF-25.STI.C |
| 1 | CONTACT INSERT | PBT-GF15 | LIGHT GREY | HVS-S20DF-25 |

| | | | | |
|--|--|------------------------------------|--|--------------------|
| THIS DRAWING IS A CONTROLLED DOCUMENT. | | DWN SCHNEIDER 17.02.2006 | TE Connectivity | |
| DIMENSIONS: mm | | CHK A.GAST 17.02.2006 | | |
| TOLERANCES UNLESS OTHERWISE SPECIFIED: ISO 8015 DIN 150 2768 mh-E DIN 16901-120 | | APVD T.SCHNURPFIL 17.02.2007 | NAME MALE INSERT ASSY HVS-S20DF-25.STI.C | |
| 0 PLC ± 1 PLC ± 2 PLC ± 3 PLC ± 4 PLC ± ANGLES ± | | PRODUCT SPEC 108-74079 | SIZE A3 | CAGE CODE 00779 |
| MATERIAL | | APPLICATION SPEC 114-74081 | DRAWING NO C-1103260 | RESTRICTED TO |
| FINISH | | WEIGHT | SCALE 2:1 | |
| | | CUSTOMER DRAWING | SHEET 1 OF 1 | |