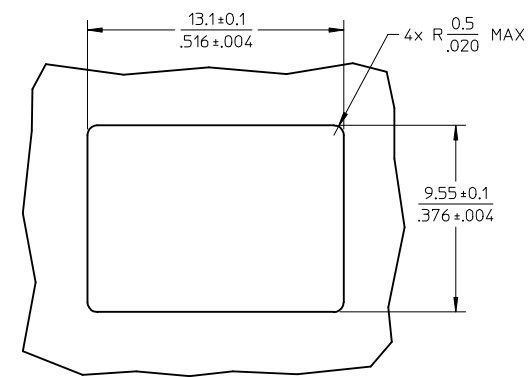
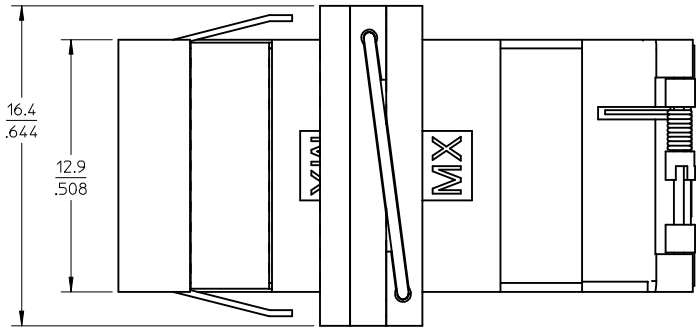
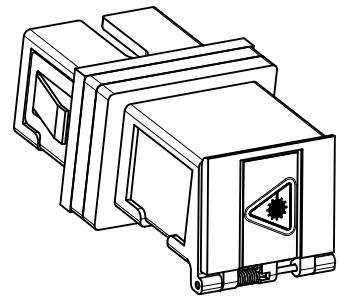
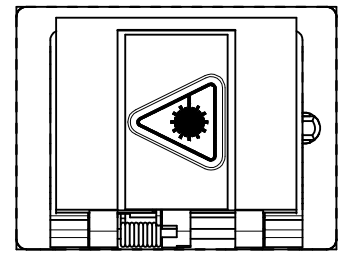
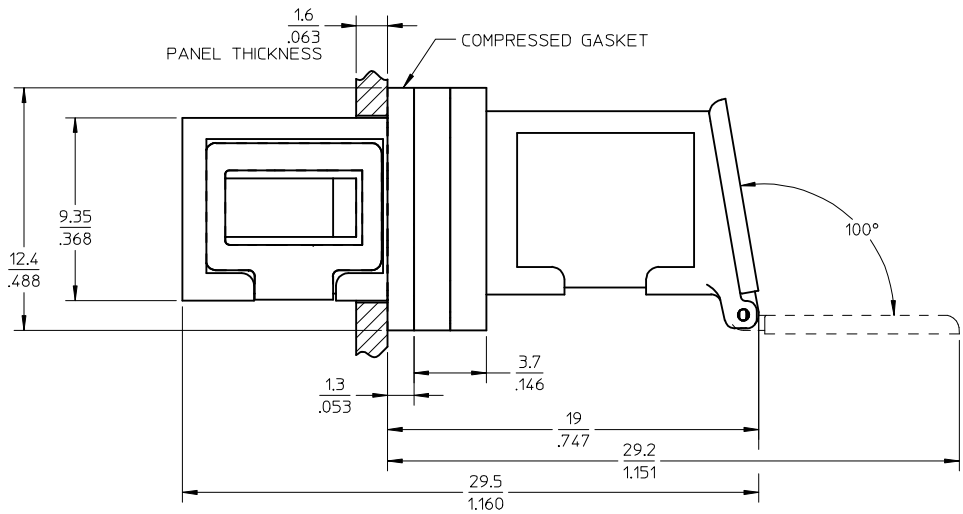


10 9 8 7 6 5 4 3 2 1



RECOMMENDED PANEL CUTOUT
PANEL THICKNESS - 1.6mm/.063"

- NOTES:
1. ALL DIMENSIONS ARE FOR REFERENCE ONLY.
 2. CONDUCTIVE SILICONE GASKET WITH NI/C FILLER IS SUPPLIED WITH PART.
 3. PART IS DIECAST.
 4. DUST CAPS NOT SHOWN.
 5. ADAPTERS TO BE PACKAGED IN TRAY.

ENTER DESCRIPTION EC NO: MF2010-0012 DRAWN: KPEVZNER 2009/07/07 CHKD: 2009/07/07 APPR: IGUMIN 2009/07/08 A2	QUALITY SYMBOLS ▽=0 ▽=0	GENERAL TOLERANCES (UNLESS SPECIFIED)		DIMENSION STYLE MM/IN	SCALE 4:1	DESIGN UNITS INCH	THIRD ANGLE PROJECTION	
		4 PLACES ± --- ± --- 3 PLACES ± --- ± --- 2 PLACES ± --- ± --- 1 PLACE ± --- ± ---	mm INCH	DRAWN BY PGIBLIN DATE 2005/10/31	TITLE SC EMI ADAPTER (SNAP MOUNT, W/SHUTTERS)			
		ANGULAR ±1/2°	APPROVED BY DATE	MOLEX INCORPORATED				
	DRAFT WHERE APPLICABLE MUST REMAIN WITHIN DIMENSIONS	MATERIAL NO. 1061163000	DOCUMENT NO. SD-106116-3000	SHEET NO. 1 OF 1				
	THIS DRAWING CONTAINS INFORMATION THAT IS PROPRIETARY TO MOLEX INCORPORATED AND SHOULD NOT BE USED WITHOUT WRITTEN PERMISSION							

9 8 7 6 5 4 3 2 1