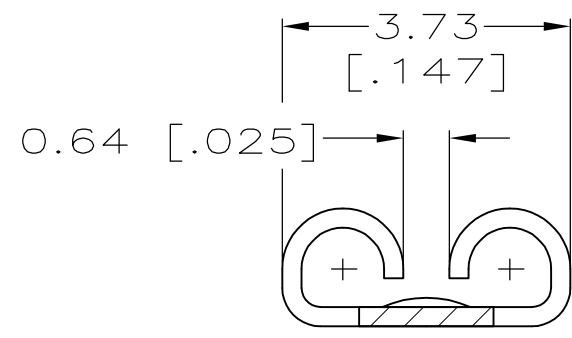
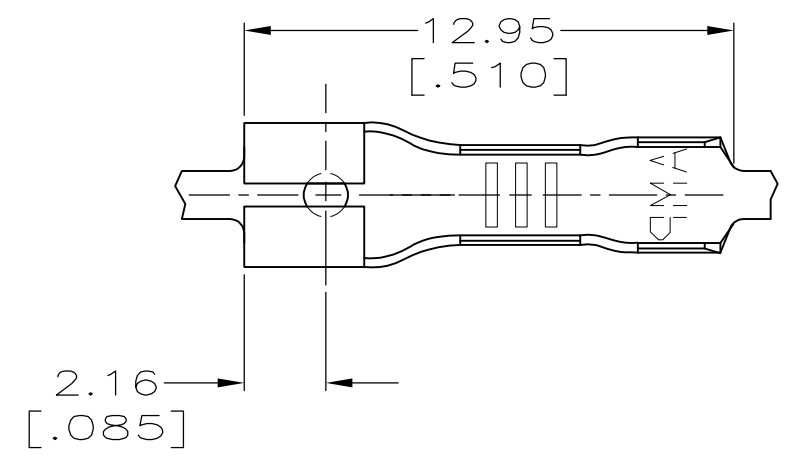


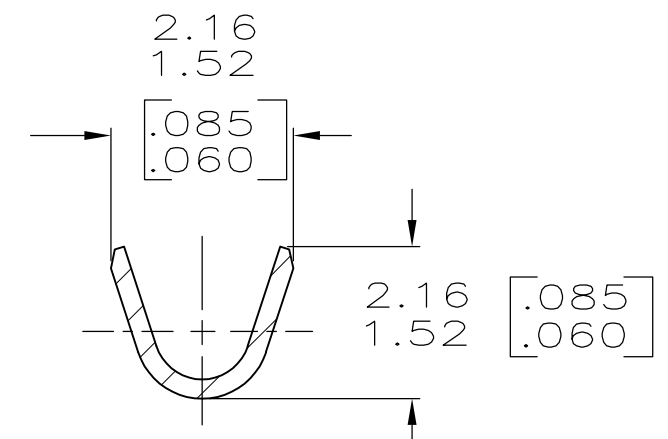
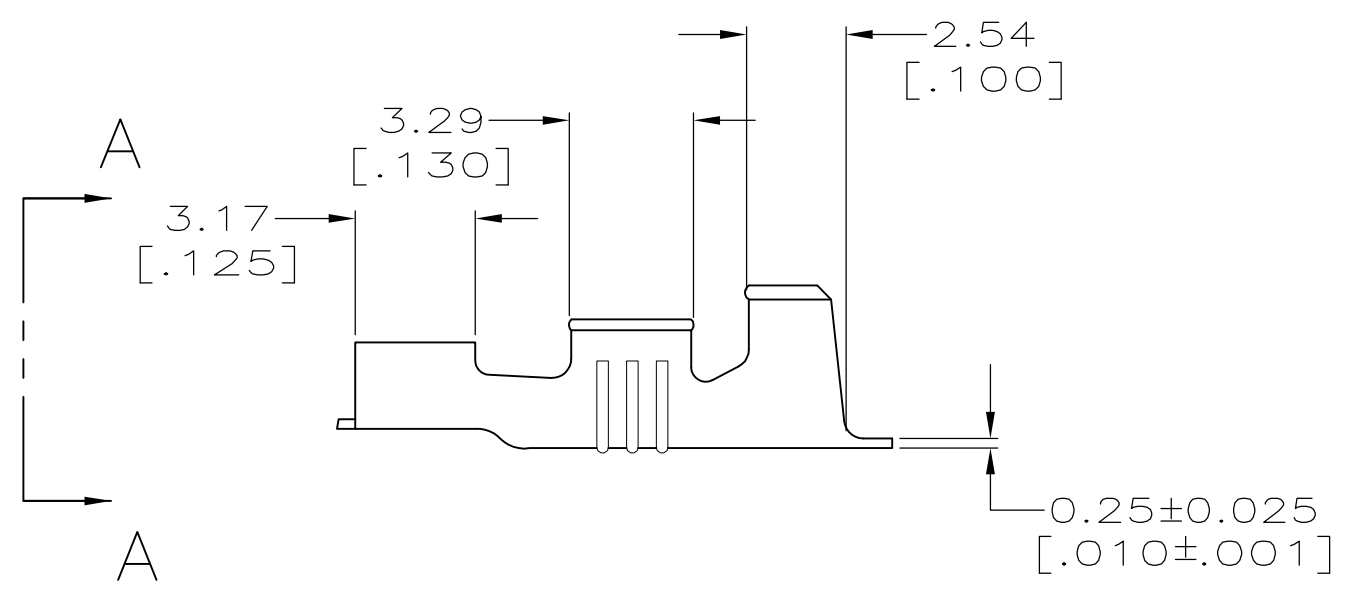
THIS DRAWING IS UNPUBLISHED. RELEASED FOR PUBLICATION
 © COPYRIGHT - By - ALL RIGHTS RESERVED.

LOC	DIST	REVISIONS			
P	LTR	DESCRIPTION	DATE	DWN	APVD
AF	50	N	REVISED PER ECR-12-013445	18OCT12	KH PD

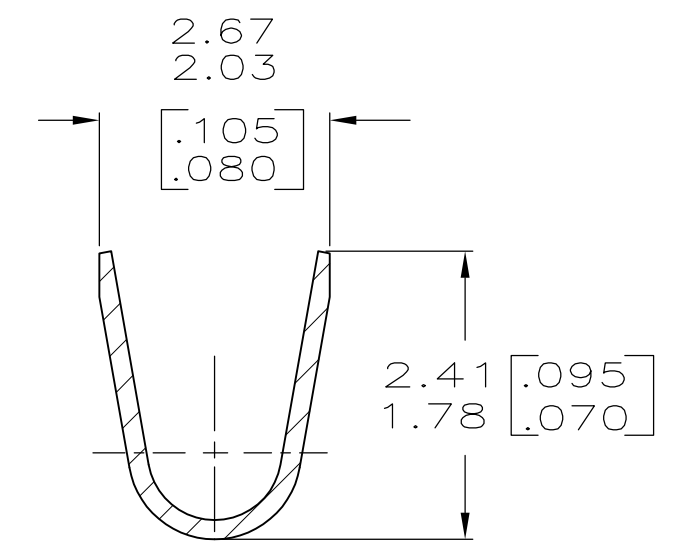
- CONTINUOUS STRIP ON REELS.
- WIRE SIZE [#24-#22] AWG.
- INSULATION RANGE 1.02-1.52
[.040-.060] DIA.
- MATING TAB THK 0.51±0.025
[.020±.001].
- FEED TO BE 17.91±0.13
[.705±.005].



VIEW A-A
SCALE 10:1



SECTION B-B
SCALE 10:1



SECTION C-C
SCALE 10:1

60089-2
PART NO

THIS DRAWING IS A CONTROLLED DOCUMENT.		DWN	JR RUTH	2/7/96	TE Connectivity RECEPTACLE, FASTON, 2.79 [.110] SERIES						
DIMENSIONS: mm [INCHES]		CHK	MS FEHER	2/7/96				NAME			
TOLERANCES UNLESS OTHERWISE SPECIFIED:		APVD	P DESANTIS	2/7/96				PRODUCT SPEC			
0 PLC ± - 1 PLC ± - 2 PLC ± 0.38 [.015] 3 PLC ± - 4 PLC ± - ANGLES ± -		APPLICATION SPEC		SIZE							
MATERIAL	BRASS	FINISH	PRE-TIN	WEIGHT	-	CAGE CODE	A300779	DRAWING NO	C-60089	RESTRICTED TO	-
CUSTOMER DRAWING				SCALE	5:1	SHEET	1 OF 1	REV	N		