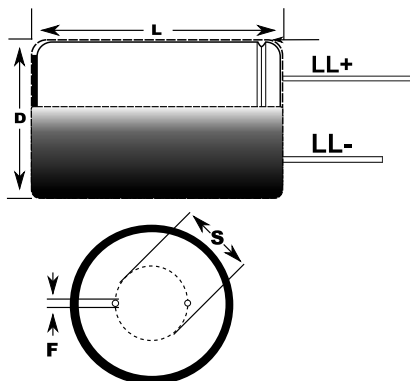


KEMET Part Number: ESH475M400AH2AA
(SH475M400AH2AAPLP)

Capacitor, aluminum, 4.7 uF, +/-20% Tol, -25/+105C, 400VDC@105° C



Dimensions (mm)		
Symbol	Dimension	Tolerance
D	10	+/-0.5
L	15	+2
S	5	+/-0.5
LLPos	20	MIN
LLNeg	15	MIN
F	0.6	

Packaging Specifications	
Package Kind:	Bulk
Package Quantity:	3000

General Information	
Supplier:	KEMET
Part Type Description:	Radial Cylindrical Aluminum Electrolytic
Style:	Radial Cylindrical
Lead Type:	Straight

Specifications	
Capacitance:	4.7 uF
Tolerance:	+/-20%
Rated Temperature:	105° C
Voltage @ rated temp:	400VDC
VDC Surge:	450VDC
Life @ rated temp:	2000 Hrs
RoHS:	Yes
Temperature Range:	-25/+105C
Leakage Condition:	2min/20c
Dissipation Factor:	20%
Ripple 120Hz @ rated temp:	0.057 A