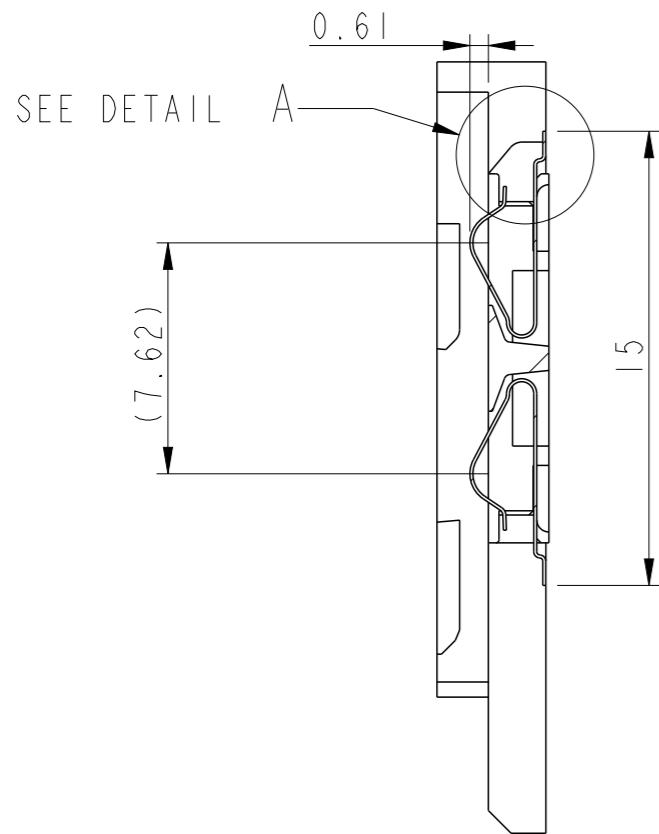
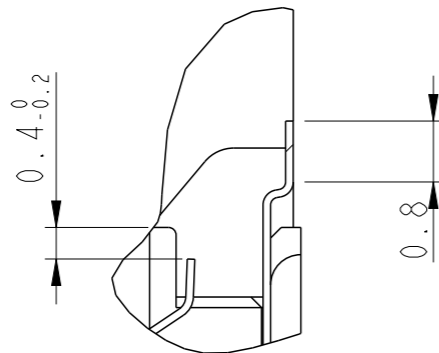


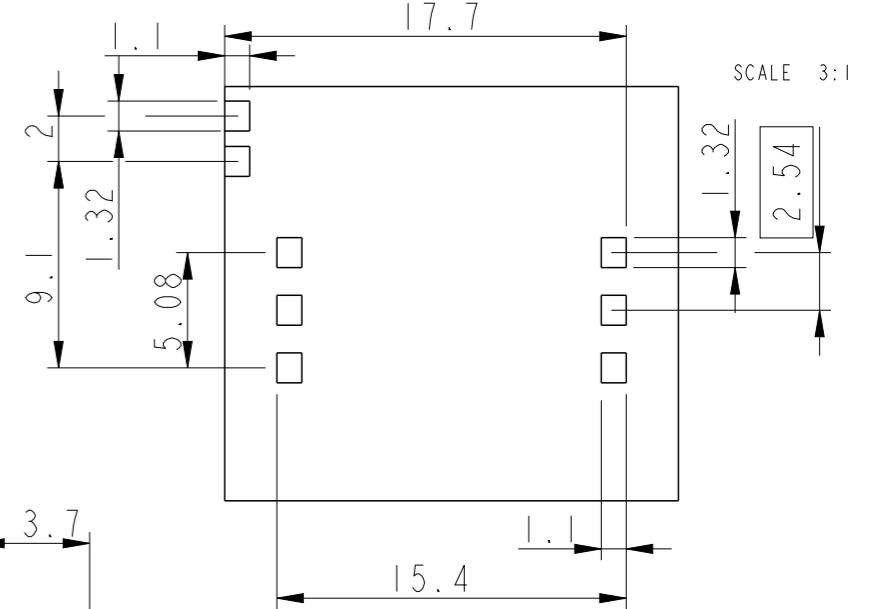
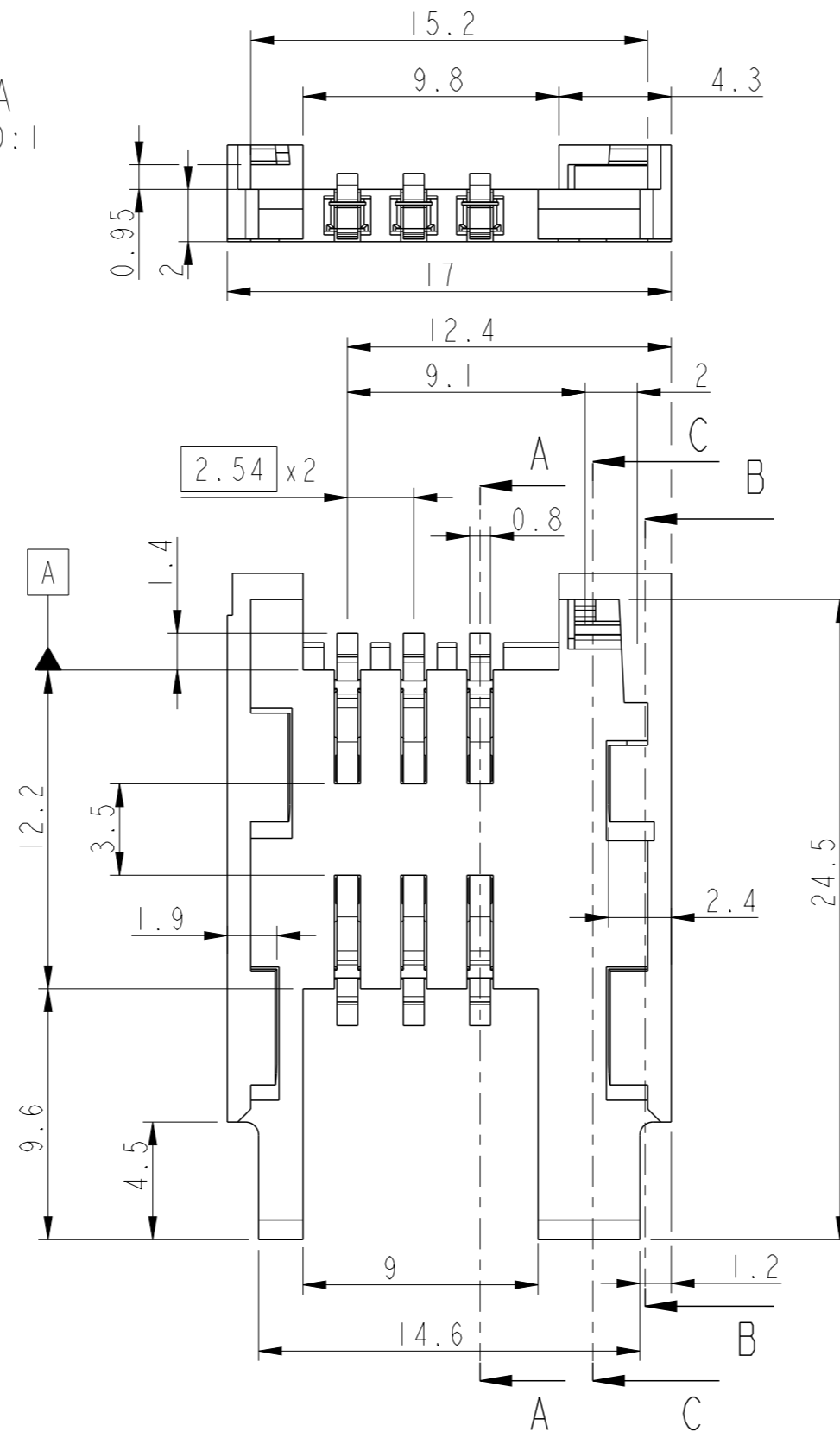
PART NUMBER  
7111S1615A01LF

LEAD FREE VERSION

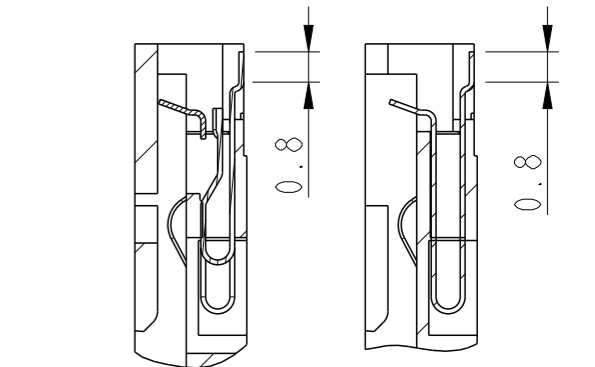
DETAIL A  
SCALE 10:1



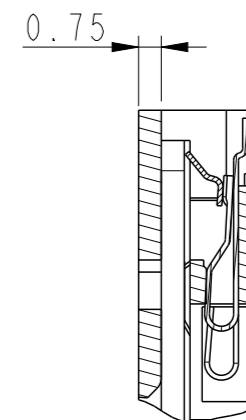
SECTION A-A



SCALE 3:1



SECTION B-B SECTION C-C



CARD SECTION B-B  
SCALE 4:1

DETAIL OF SWITCH

LEAD FREE VERSION:

"This product meets European Union Directives and other country regulations as described in GS-22-008"

The housing will withstand exposure to 260°C peak temperature for 10seconds in a convection reflow oven.

**PROCESSING**

Ni 2 micrometer  
Gold 2.5 μm/Equivalent PdNi over Ni on contact area  
Output : Matte tin 2.5 μm (for lead free version)

'C' CRITICAL DIMENSION  
GENERAL TOLERANCES: ±0.1

rev	ecn no	dr	date
F	109-0291	RPK	2009/12/31
-	-	-	-
A	LS2025	MPE	2002/05/04
B	105-0167	NT	2005/09/23
C	105-0240	NT	2005/11/19
D	106-0073	SSC	2006/06/08
E	108-0042	SSC	2008/03/17

www.fciconnect.com		surface - ✓ ISO 1302	tolerance std ISO 406 ISO 1101	projection ⊕	mm
TOLERANCES UNLESS OTHERWISE SPECIFIED					
Dr	BERNARDET	1998/09/02	ANGULAR	0.X ±	size A3
Eng	ODIC	1998/09/02	LINEAR	0.XX ±	Scale 4:1
Chr	R.KUMAR.P.K	2008/03/17	0° ±°	0.XXX ±	ECN 109-0291
Appr	S.VARMA	2008/03/17	Product family	MOBILE IO	Spec ref --
FCi		title SIM CARD CONNECTOR with switch		dwg no VJW53943	
catalog no		SEE NOTES		CUSTOMER COPY sheet 1 of 1	



Copyright FCI.