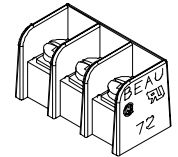
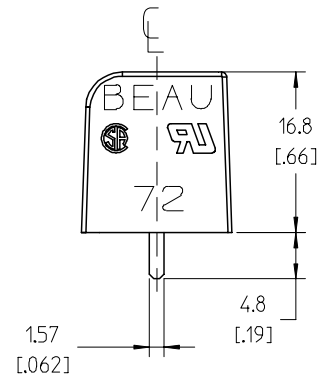
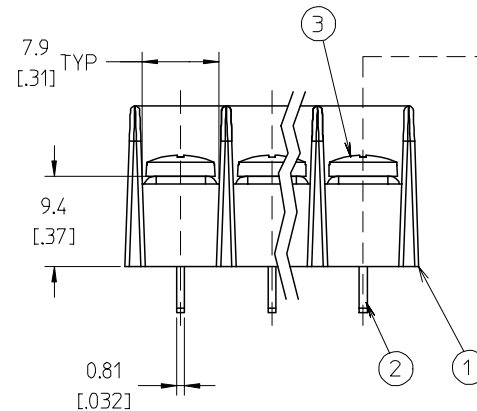
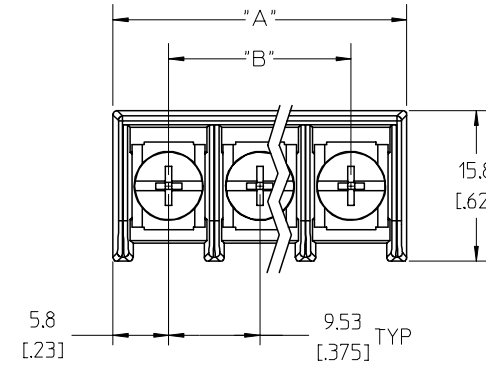


| QTY OF CIRCUITS "XX" | DIM. "A"     | DIM. "B"       | ASSEMBLY MATERIAL NO. (STANDARD) | ASSEMBLY MATERIAL NO. (-50 OPTION) |
|----------------------|--------------|----------------|----------------------------------|------------------------------------|
| 02                   | 21.1 [.83]   | 9.53 [.375]    | 387244102                        | 387244902                          |
| 03                   | 30.7 [1.21]  | 19.05 [.750]   | 387244103                        | 387244903                          |
| 04                   | 40.2 [1.58]  | 28.58 [1.125]  | 387244104                        | 387294904                          |
| 05                   | 49.7 [1.96]  | 38.10 [1.500]  | 387244105                        | 387244905                          |
| 06                   | 59.2 [2.33]  | 47.63 [1.875]  | 387244106                        | 387244906                          |
| 07                   | 68.8 [2.71]  | 57.15 [2.250]  | 387244107                        | 387244907                          |
| 08                   | 78.3 [3.08]  | 66.68 [2.625]  | 387244108                        | 387244908                          |
| 09                   | 87.8 [3.46]  | 76.20 [3.000]  | 387244109                        | 387244909                          |
| 10                   | 97.3 [3.83]  | 85.73 [3.375]  | 387244110                        | 387244910                          |
| 11                   | 106.9 [4.21] | 95.25 [3.750]  | 387244111                        | 387244911                          |
| 12                   | 116.4 [4.58] | 104.78 [4.125] | 387244112                        | 387244912                          |
| 13                   | 125.9 [4.96] | 114.30 [4.500] | 387244113                        | 387244913                          |
| 14                   | 135.4 [5.33] | 123.83 [4.875] | 387244114                        | 387244914                          |
| 15                   | 145.0 [5.71] | 133.35 [5.250] | 387244115                        | 387244915                          |
| 16                   | 154.5 [6.08] | 142.88 [5.625] | 387244116                        | 387244916                          |



ISOMETRIC VIEW  
SCALE 1:1  
3 CIRCUIT SHOWN



- NOTES:
1. MATERIAL: SEE TABLE
  2. FINISHES: SEE TABLE
  3. PRODUCT SPECIFICATION: NOT REQUIRED
  4. PACKAGING: NOT REQUIRED
  5. MATES WITH: NONE
  6. "XX" REFERS TO THE QUANTITY OF CIRCUITS.
  7. ALL COMPONENTS ARE ROHS COMPLIANT.

| ITEM | QTY | DESCRIPTION                              | MATERIAL | FINISH             |
|------|-----|--|----------|--------------------|
| 4    | XX  | SCREW W/WASHER, #6-32X.250, PANHD, PH-SL | STEEL    | ZN, CLEAR CHROMATE |
| 3    | XX  | SCREW, #6-32X.250, BHD, PHL-SLOT         | STEEL    | ZN, CLEAR CHROMATE |
| 2    | XX  | TERMINAL, PC                             | BRASS    | TIN PLATE          |
| 1    | 1   | INSULATOR, SR, CS, MOLDED, -C            | PBT      | BLACK              |

| INITIAL RELEASE<br>EC NO: ETC2006-0335<br>DRWN: C YORK 2006/03/27<br>CHKD: RDEROSS 2006/03/31<br>APPR: RDEROSS 2006/03/31 | QUALITY SYMBOLS<br>▽=0<br>▽=0 | GENERAL TOLERANCES (UNLESS SPECIFIED)  |       | DIMENSION STYLE<br>MM/IN     |    | SCALE<br>2:1        | DESIGN UNITS<br>INCH | THIRD ANGLE PROJECTION |        |          |         |       |          |        |      |         |       |       |   |  |          |      |         |            |            |      |         |            |             |      |         |            |  |  |  |  |
|---|-------------------------------|--|-------|------------------------------|----|---------------------|----------------------|------------------------|--------|----------|---------|-------|----------|--------|------|---------|-------|-------|---|--|----------|------|---------|------------|------------|------|---------|------------|-------------|------|---------|------------|--|--|--|--|
|   |                               | <table border="1"> <thead> <tr> <th></th> <th>mm</th> <th>INCH</th> </tr> </thead> <tbody> <tr> <td>4 PLACES</td> <td>± ---</td> <td>±.0015</td> </tr> <tr> <td>3 PLACES</td> <td>± 0.038</td> <td>±.005</td> </tr> <tr> <td>2 PLACES</td> <td>± 0.13</td> <td>±.01</td> </tr> <tr> <td>1 PLACE</td> <td>± 0.3</td> <td>± ---</td> </tr> </tbody> </table> |       |                              | mm | INCH                | 4 PLACES             | ± ---                  | ±.0015 | 3 PLACES | ± 0.038 | ±.005 | 2 PLACES | ± 0.13 | ±.01 | 1 PLACE | ± 0.3 | ± --- | <table border="1"> <thead> <tr> <th>DRAWN BY</th> <th>DATE</th> </tr> </thead> <tbody> <tr> <td>C. YORK</td> <td>2006/03/24</td> </tr> <tr> <th>CHECKED BY</th> <th>DATE</th> </tr> <tr> <td>RDEROSS</td> <td>2006/03/24</td> </tr> <tr> <th>APPROVED BY</th> <th>DATE</th> </tr> <tr> <td>RDEROSS</td> <td>2006/03/24</td> </tr> </tbody> </table> |  | DRAWN BY | DATE | C. YORK | 2006/03/24 | CHECKED BY | DATE | RDEROSS | 2006/03/24 | APPROVED BY | DATE | RDEROSS | 2006/03/24 | TITLE<br>SR BTS, PC, CS ASSY<br>9.53 MM [.375] CENTERS |  |  |  |
|   |                               |  | mm    | INCH                         |    |                     |                      |                        |        |          |         |       |          |        |      |         |       |       |   |  |          |      |         |            |            |      |         |            |             |      |         |            |  |  |  |  |
|   |                               | 4 PLACES   | ± --- | ±.0015                       |    |                     |                      |                        |        |          |         |       |          |        |      |         |       |       |   |  |          |      |         |            |            |      |         |            |             |      |         |            |  |  |  |  |
| 3 PLACES  | ± 0.038                       | ±.005  |       |                              |    |                     |                      |                        |        |          |         |       |          |        |      |         |       |       |   |  |          |      |         |            |            |      |         |            |             |      |         |            |  |  |  |  |
| 2 PLACES  | ± 0.13                        | ±.01   |       |                              |    |                     |                      |                        |        |          |         |       |          |        |      |         |       |       |   |  |          |      |         |            |            |      |         |            |             |      |         |            |  |  |  |  |
| 1 PLACE   | ± 0.3                         | ± ---  |       |                              |    |                     |                      |                        |        |          |         |       |          |        |      |         |       |       |   |  |          |      |         |            |            |      |         |            |             |      |         |            |  |  |  |  |
| DRAWN BY  | DATE                          |  |       |                              |    |                     |                      |                        |        |          |         |       |          |        |      |         |       |       |   |  |          |      |         |            |            |      |         |            |             |      |         |            |  |  |  |  |
| C. YORK   | 2006/03/24                    |  |       |                              |    |                     |                      |                        |        |          |         |       |          |        |      |         |       |       |   |  |          |      |         |            |            |      |         |            |             |      |         |            |  |  |  |  |
| CHECKED BY  | DATE                          |  |       |                              |    |                     |                      |                        |        |          |         |       |          |        |      |         |       |       |   |  |          |      |         |            |            |      |         |            |             |      |         |            |  |  |  |  |
| RDEROSS   | 2006/03/24                    |  |       |                              |    |                     |                      |                        |        |          |         |       |          |        |      |         |       |       |   |  |          |      |         |            |            |      |         |            |             |      |         |            |  |  |  |  |
| APPROVED BY   | DATE                          |  |       |                              |    |                     |                      |                        |        |          |         |       |          |        |      |         |       |       |   |  |          |      |         |            |            |      |         |            |             |      |         |            |  |  |  |  |
| RDEROSS   | 2006/03/24                    |  |       |                              |    |                     |                      |                        |        |          |         |       |          |        |      |         |       |       |   |  |          |      |         |            |            |      |         |            |             |      |         |            |  |  |  |  |
| DRAFT WHERE APPLICABLE<br>MUST REMAIN<br>WITHIN DIMENSIONS  |                               | MATERIAL NO.<br>SEE CHART  |       | DOCUMENT NO.<br>SD-38724-002 |    | SHEET NO.<br>1 OF 1 |                      | MOLEX INCORPORATED     |        |          |         |       |          |        |      |         |       |       |   |  |          |      |         |            |            |      |         |            |             |      |         |            |  |  |  |  |