

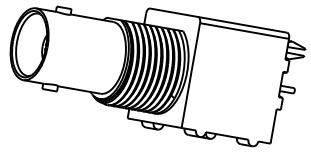
NOTES:

1. MATERIALS AND FINISHES:
 BODY - ZINC DIE CAST, NICKEL PLATING
 CONTACT - PHOSPHOR BRONZE, GOLD PLATING (.000003 THICK)
 @ CONTACT AREA ONLY, TIN PLATING AT TAIL, NICKEL PLATED OVERALL
 INSULATOR - POLYPROPYLENE
 HOUSING - PBT 15% G.F., BLACK
 FORK PIN - BRASS, TIN PLATING
 GROUNDNG TERMINAL - STEEL, TIN PLATING
2. ELECTRICAL:
 A. IMPEDANCE: 50 OHM
 B. FREQUENCY RANGE: DC - 1 GHz
 C. DIELECTRIC WITHSTANDING VOLTAGE: 1500 VRMS, MIN.
3. MECHANICAL:
 A. DURABILITY: 500 CYCLES MIN.
 B. TEMPERATURE RANGE: -55° C TO 85° C
4. PACKAGING- SEE TABLE
5. SEPERATELY SUPPLIED MOUNTNG HARDWARE TO BE TIGHTENED TO 10 IN-LBS MIN/15 IN-LBS MAX WHEN ASSEMBLING TO PANEL

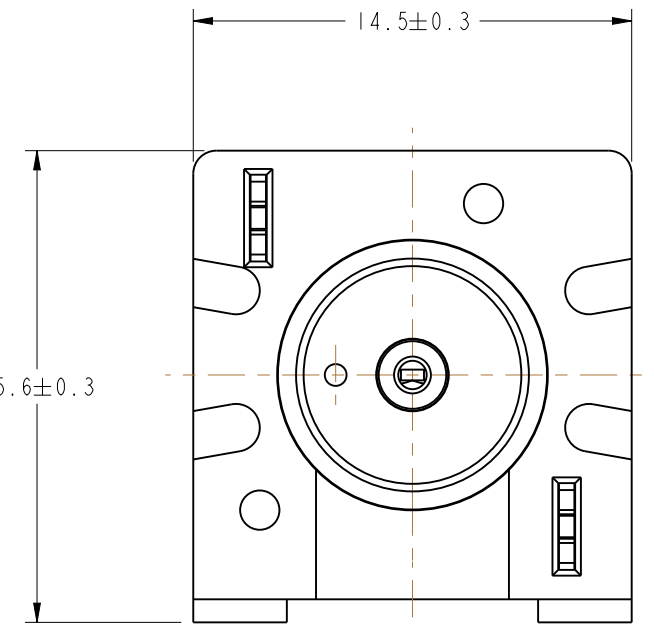
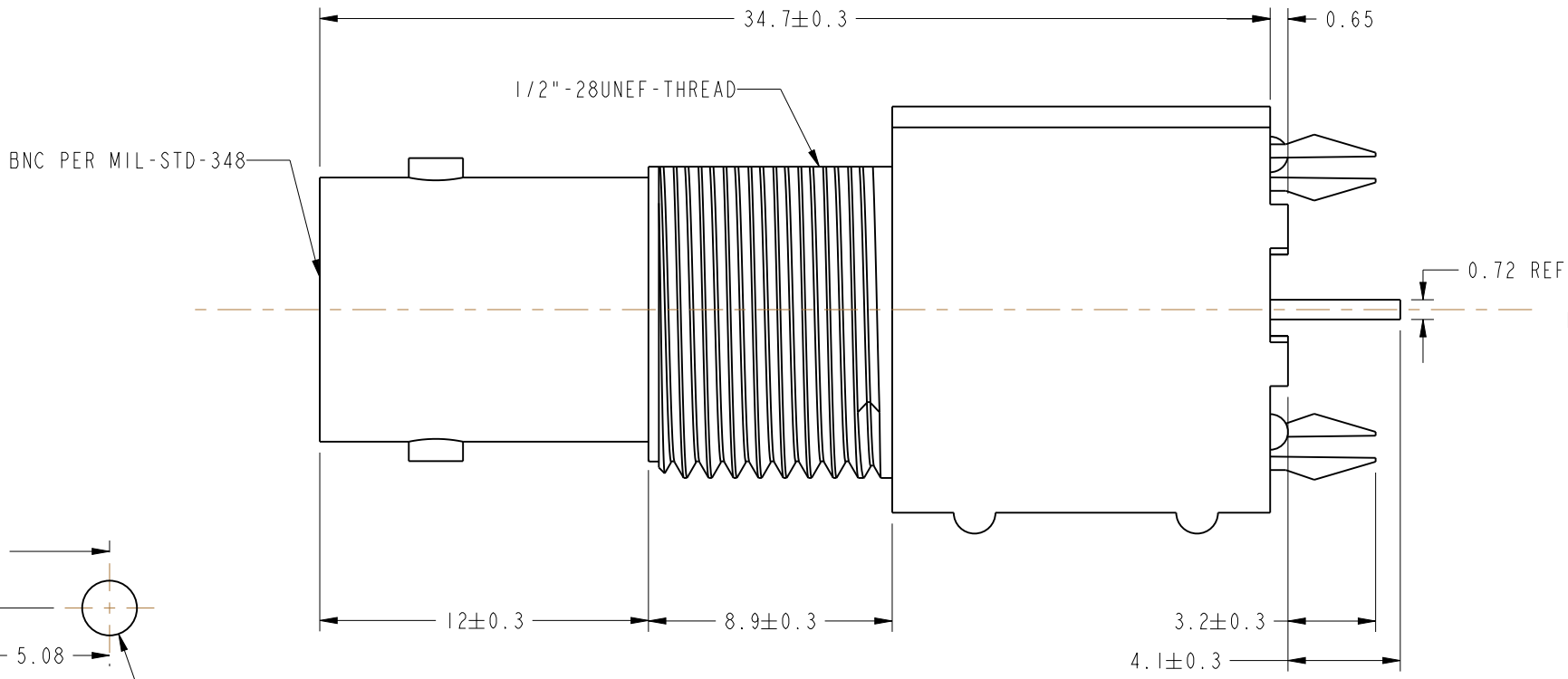
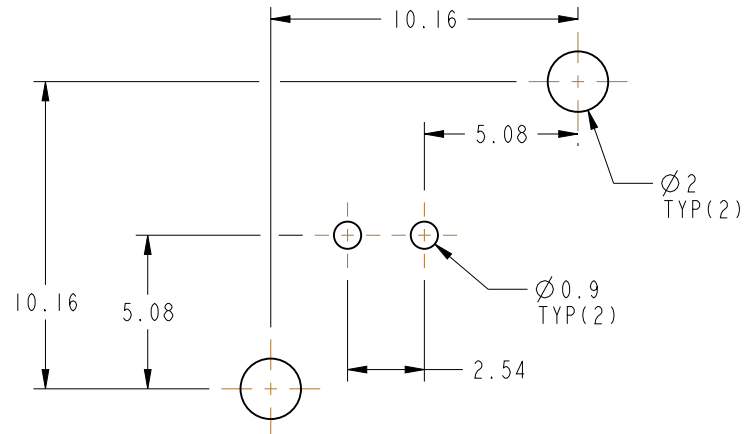
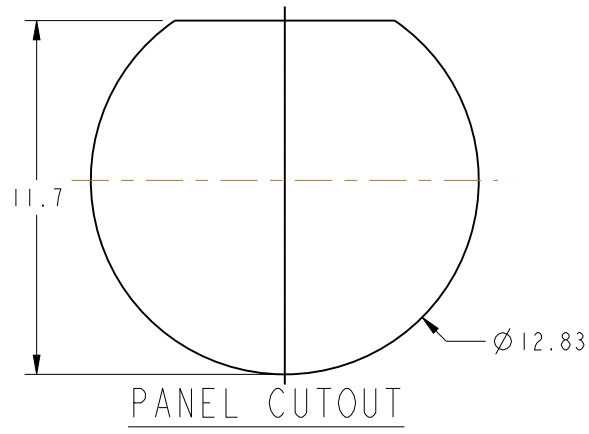
THIRD ANGLE PROJ.

REVISIONS

REV	DESCRIPTION	DATE	ECO	APPR
A	RELEASE TO MFG	1/20/93	39301	JM
D	SEE SHEET I	5/28/99	42989	CPM
E	SEE SHEET I	2/3/05	45260	CPM
F	UPDATED FORMAT AND NOMINAL ENVELOPE DIMENSIONS	9/10/12	49195	EW



SCALE 1.000



PART NUMBER	PACKING INSTRUCTIONS
31-5539-1010	BAG 999-226 MARK BAG "31-5539-1010 YYWW"
31-5539-4010	BULK PACK 50 IN TRAY 999-511

CUSTOMER OUTLINE DRAWING
 ALL OTHER SHEETS ARE FOR INTERNAL USE ONLY

UNLESS OTHERWISE SPECIFIED, DIMENSIONS ARE IN METRIC AND TOLERANCES ARE: <0.5mm ±0.05mm 0.5 - 6mm ±0.1mm 6 - 30mm ±0.2mm 30 - 120mm ±0.3mm ANGLES ±1°	MATERIAL	DRAWN ERIC WANKOFF	DATE 25-Jun-12	TITLE 50 OHM BNC STR JACK, ISOLATED	Amphenol RF www.amphenolrf.com	
	REFERENCE	ENGINEER R VACCARO	DATE 1-20-95			
	CONFIGURATION LEVEL:	APPROVED J MULVEY	DATE 8-25-92	SCALE: 4.0:1.0	SHEET 2 OF 2	DRAWING NO. 31-5539-XXXX
	FINISH	CAD FILE		DWG SIZE B	REV F	ITEM NO. 31-5539-XXXX PART NO. 31-5539-XXXX

NOTICE - These drawings, specifications, or other data (1) are, and remain the property of Amphenol corp. (2) must be returned upon request; and (3) are confidential and not to be disclosed to any person other than those to whom they are given by Amphenol Corp. the finishing of these drawings, specifications, or other data by Amphenol Corp., or to any other person to anyone for any purpose is not to be regarded by implication or otherwise in any manner licensing, granting rights to permitting such holder or any other sperson to manufacture, use or sell any product, process or design, patented or otherwise, that may in any way be related to or disclosed by said drawings, specifications, or other data.