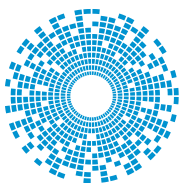


# Stewart Connector RJ45 D38999

Series C-RJFTV

## Rugged Solutions

Based on the rugged D38999 shell and high performance RJ45, Stewart Connector's RJ45 D38999 provides Ethernet connectivity in harsh environments. A unique design reduces the footprint to the markets smallest, size 17 which can be used to transmit 1G Base-T Ethernet.



**stewart**  
CONNECTOR  
a bel group

# Series C-RJFTV

## Main Characteristics

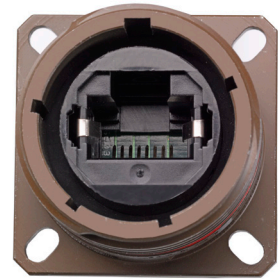
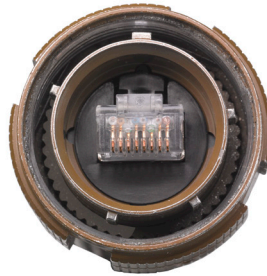
- D38999 series III style shell
- EMI protection with shielded cable
- Shell sizes 17 and 19, which is the smallest size on the market today and allows for communications speeds through 1G Base-T Ethernet
- Available in a variety of metals and plating's
- Minimum of 500 mating cycles
- Sealed to IP68
- Four keyways available

## Applications

- Harsh Environment Connectivity
- Military Communication
- Railway
- Oil and Gas
- Renewable Energy Industry

## Data transmission

- 10 Base-T, 100 Base-T, and 1G Base-T Ethernet
- High performance connectivity, up to 100 MHz



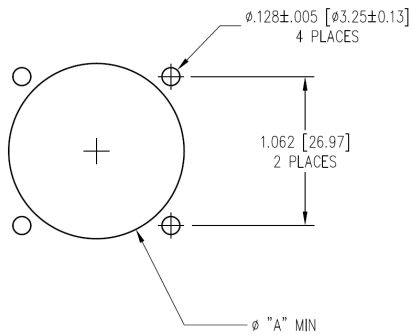
# Series C-RJFTV

## Recommended Panel Dimensions

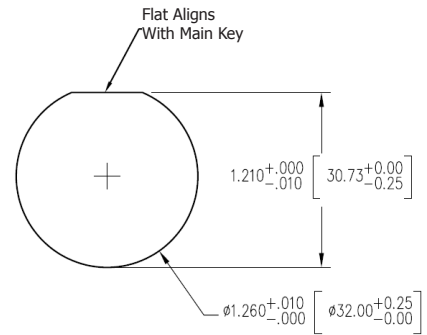
Panel Mounting Side	"A" Diameter Inches [mm]
Front	1.016 [25.81]
Rear	1.219 [30.96]
If Back Shell is Used When Front Mounting, "A" = 1.219 [30.96]	

Panel Cutout  
.125 [3.2] Max Panel Thickness

### Panel Mounting



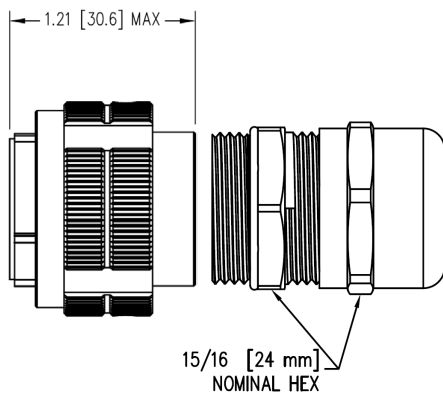
### Jam Nut Mounting



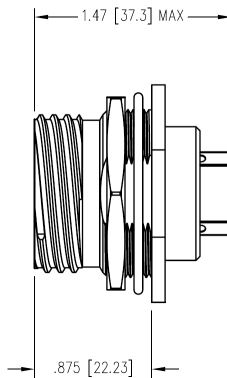
Panel Cutout  
.125 [3.2] Max Panel Thickness

**\*For Information on Size 19 Panel Dimensions, Contact Factory**

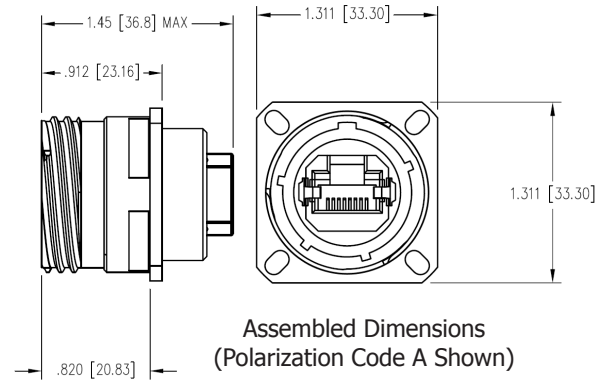
### Plug



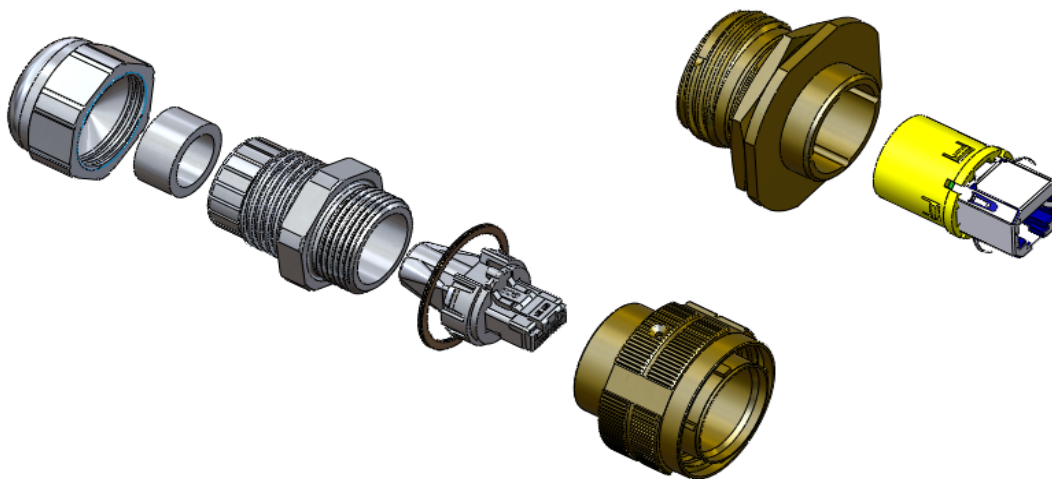
### Receptacle

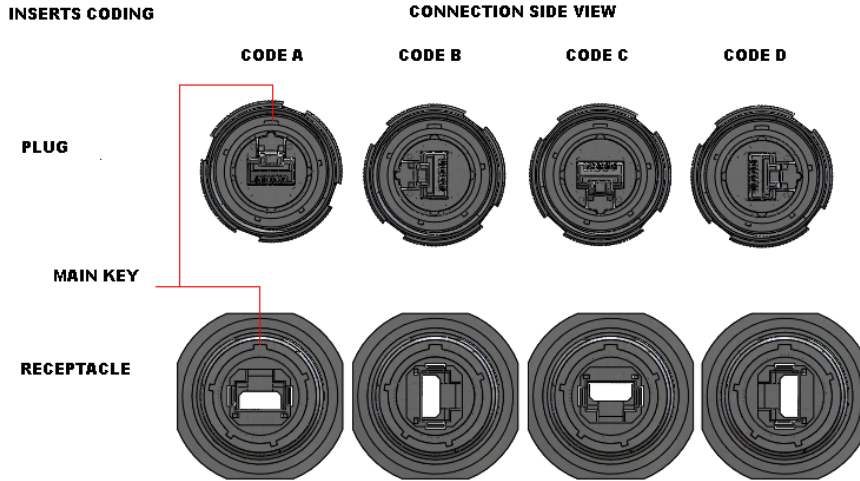


### Square Flange Receptacle



Assembled Dimensions  
(Polarization Code A Shown)





## How to Order Stewart Connector's RJ45 D38999, Series C-RJFTV

<b>Series</b>	C-RJFTV	5E	17	06	1	G	03	K123
RJ45 38999 series III								
<b>Performance</b>	5E - Suited for 10 BaseT, 100 BaseT, 1G BaseT							
<b>Shell size</b>	17 - Size 17 19 - Size 19							
<b>Shell Type</b>	02 - Receptacle, square flange 02BS - Receptacle, square flange, IP68 backshell, plastic gland 02BSM - Receptacle, square flange, IP68 backshell, metal gland 06P - Plug, straight, plastic gland 06M - Plug, straight, metal gland 07 - Receptacle, jamnut 07BS - Receptacle, jamnut, IP68 backshell, plastic gland 07BSM - Receptacle, jamnut, IP68 backshell, metal gland							
<b>Back end termination (omit for shell type 06)</b>	1 - RJ45, Female, Straight							
<b>Shell material and plating</b>	G - Aluminum shell, olive drab plating N - Aluminum shell, nickel plating (RoHS) SS - Stainless steel, passivated (RoHS) BZ - Marine bronze (RoHS)							
<b>Cordset length</b>	03 - 0.3 meter 05 - 0.5 meter 10 - 1.0 meter 15 - 1.5 meter							
<b>Modification code</b>								



Stewart Connector  
11118 Susquehanna Trail South  
Glen Rock, PA 17327 USA

+1 717.235.7512  
techhelp@belf.com  
[stewartconnector.com](http://stewartconnector.com)