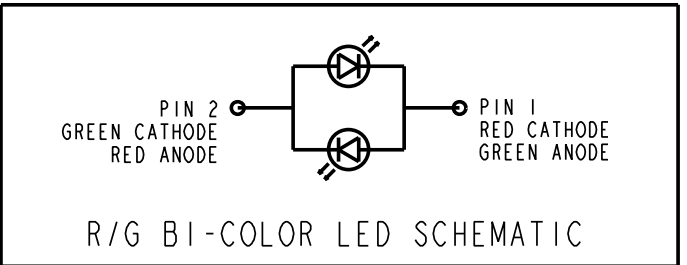
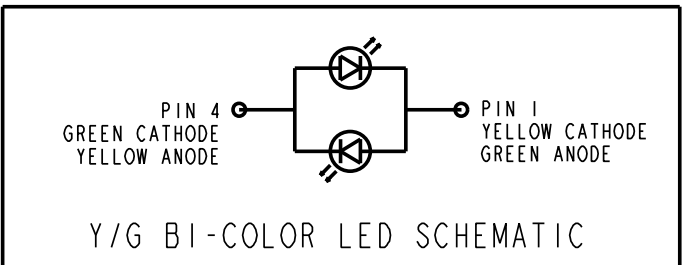


REV	ECN NO	REVISIONS	DRN	CKD	APP	DATE
A	—	NEW RELEASE	TWC			

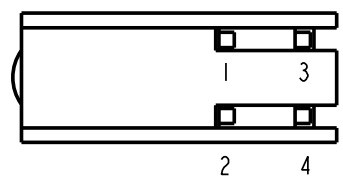
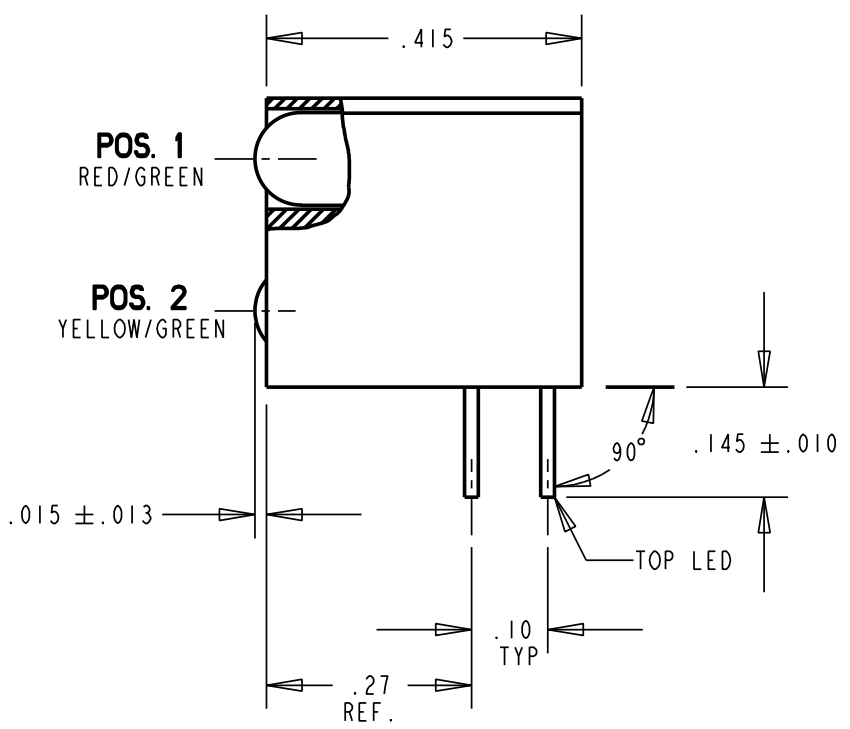
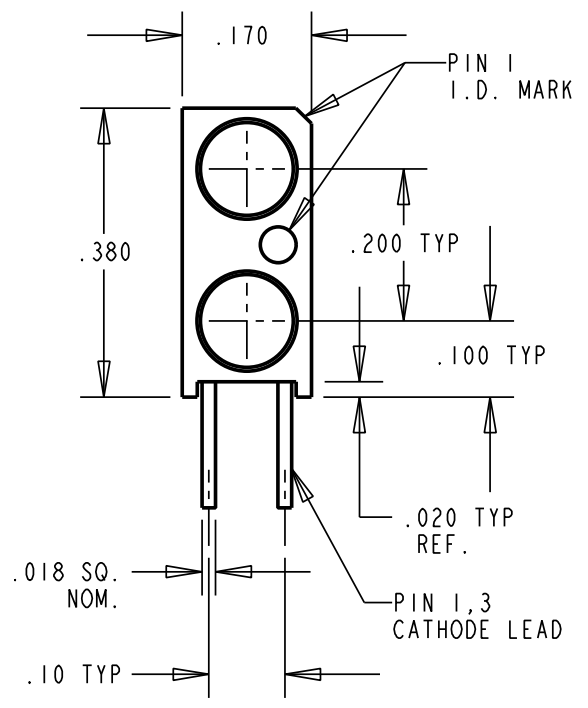


POSITION 1



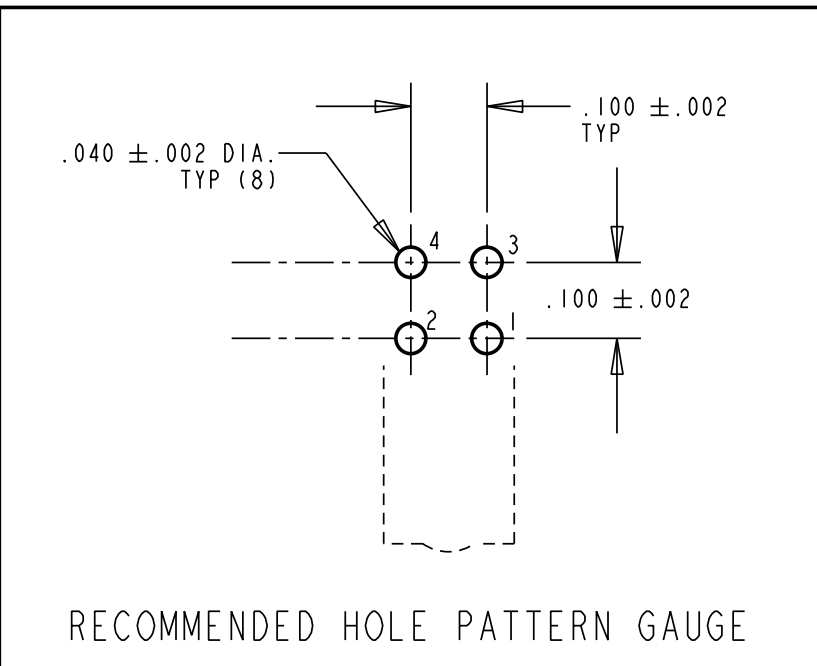
POSITION 2

- NOTES:
- 1- LEADS TO FIT INTO HOLES SPACED AS PER HOLE PATTERN
 - 2- LEADS TO BE FREE OF DEFORMATION AFTER BENDING AND CUTTING
 - 3- LED LEAD DIMENSIONS SHOWN ARE MEASURED AT HOUSING EXIT
 - 4- PIN NUMBERS FOR REFERENCE ONLY, DESIGNATION NON-EXISTENT ON PARTS
 - 5- DIALIGHT PART NUMBER = 553-0714-849F



LED COLOR = YELLOW/GREEN						
OPERATING CHARACTERISTICS AT 25°C AMBIENT						
CHARACTERISTICS	COLOR	MIN	TYP	MAX	UNITS	TEST CONDITIONS
LUMINOUS INTENSITY	YELLOW	2.5	4.3		mcd	I _F = 10 mA
	GREEN	2.5	6.3			
FORWARD VOLTAGE	YELLOW		2.1	2.8	V	I _F = 20 mA
	GREEN		2.1	2.8		
PEAK WAVELENGTH	YELLOW		585		nm	
	GREEN		565			
DOMINANT WAVELENGTH	YELLOW (Y3)	585		589	nm	
	YELLOW (Y2)	583		587		
	GREEN		569			
VIEWING ANGLE	YELLOW		80		Degree	
	GREEN		80			

OPERATING CHARACTERISTICS AT 25°C AMBIENT						
LED COLOR = RED/GREEN BI-COLOR						
CHARACTERISTICS	COLOR	MIN	TYP	MAX	UNITS	TEST CONDITIONS
LUMINOUS INTENSITY	RED	2.5	4.7		mcd	I _F = 10 mA
	GREEN	3.7	10.0			
FORWARD VOLTAGE	RED		2.0	2.8	V	I _F = 20 mA
	GREEN		2.1	2.8		
REVERSE CURRENT				100		
				100		
PEAK WAVELENGTH	RED		635		nm	
	GREEN		565			
VIEWING ANGLE	RED		60		Degree	
	GREEN		60			



ABSOLUTE MAXIMUM RATING AT 25°C AMBIENT				
	UNITS	RED/GREEN	YELLOW	GREEN
POWER DISSIPATION	mW	100	60	100
CONTINUOUS FORWARD CURRENT	mA	30	20	30
DERATE LINEARLY FROM 50°C	mA/°C	0.4	0.25	0.4
PEAK FORWARD CURRENT (1/10 DUTY CYCLE, 0.1 ms PULSE WIDTH)	mA	120	80	120
LEAD SOLDERING TEMPERATURE, 5 SEC., 1/16" FROM BODY	°C	260		
OPERATING TEMPERATURE	°C	-55 TO 100		
STORAGE TEMPERATURE	°C	-55 TO 100		

RoHS Compliant 553-0714-849F Thru hole CBI

Part Numbers with the "F" suffix ending are RoHS Compliant.
 Example: 553-0714-849F
 The bag packaging is marked with "RoHS Compliant" label or equivalent markings.
 Parts can be wave soldered, dip soldered or hand soldered using typical lead-free soldering process with max 260°C temp. for 5 sec.

THIS DRAWING AND THE CONTENTS HEREIN ARE CONFIDENTIAL AND THE SOLE PROPERTY OF DIALIGHT. REPRODUCTION OF THIS DRAWING OR CONSTRUCTION OF ANY PARTS WITHIN THIS DRAWING ARE FORBIDDEN WITHOUT THE WRITTEN CONSENT OF DIALIGHT.

SCALE: DRAWING SCALE ALL DIM'S IN: INCHES (MM)	DRAWING NUMBER C-17333	REV A
TOLERANCES: UNLESS OTHERWISE SPECIFIED FRACTIONS: ±1/64 DECIMALS (.XX): ±.01 DECIMALS (.XXX): ±.005 DECIMALS (.XXXX): ±.0005 ANGLES: ±1°	TITLE BI-LEVEL CBI BACKLIGHTING R/G-Y/G RoHS COMPLIANT	
FINISH:	MATERIAL	
FSCM 83330	1501 ROUTE 34 SOUTH FARMINGDALE, NJ 07727	
	SHEET 1 OF 1	FAMILY TABLE: