

THIS DRAWING IS UNPUBLISHED.

RELEASED FOR PUBLICATION

© COPYRIGHT -

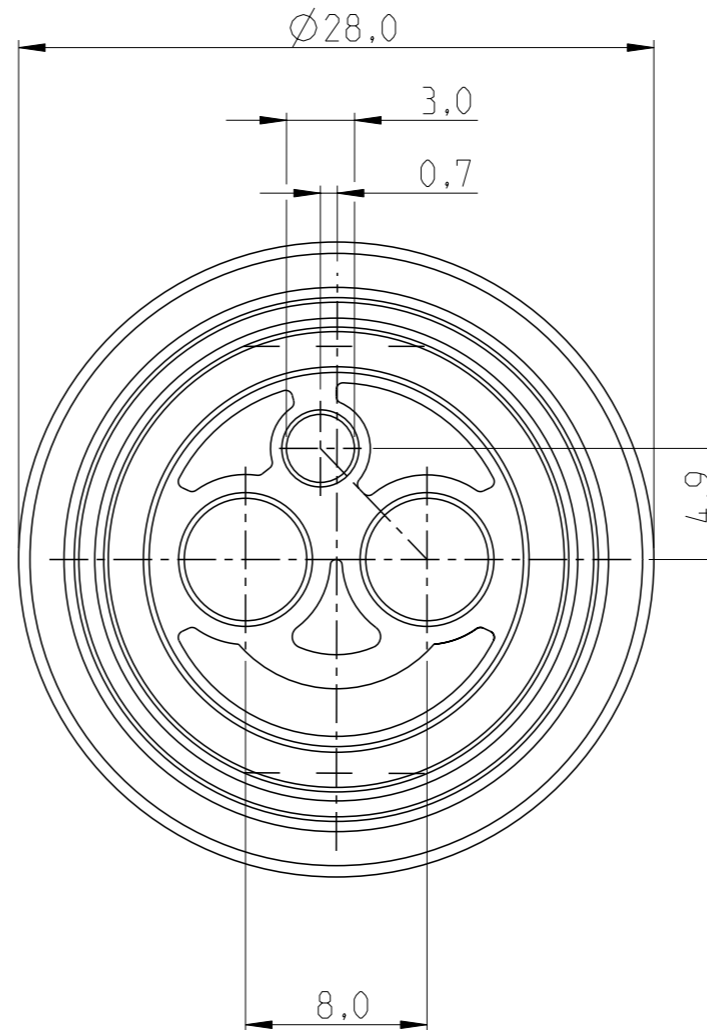
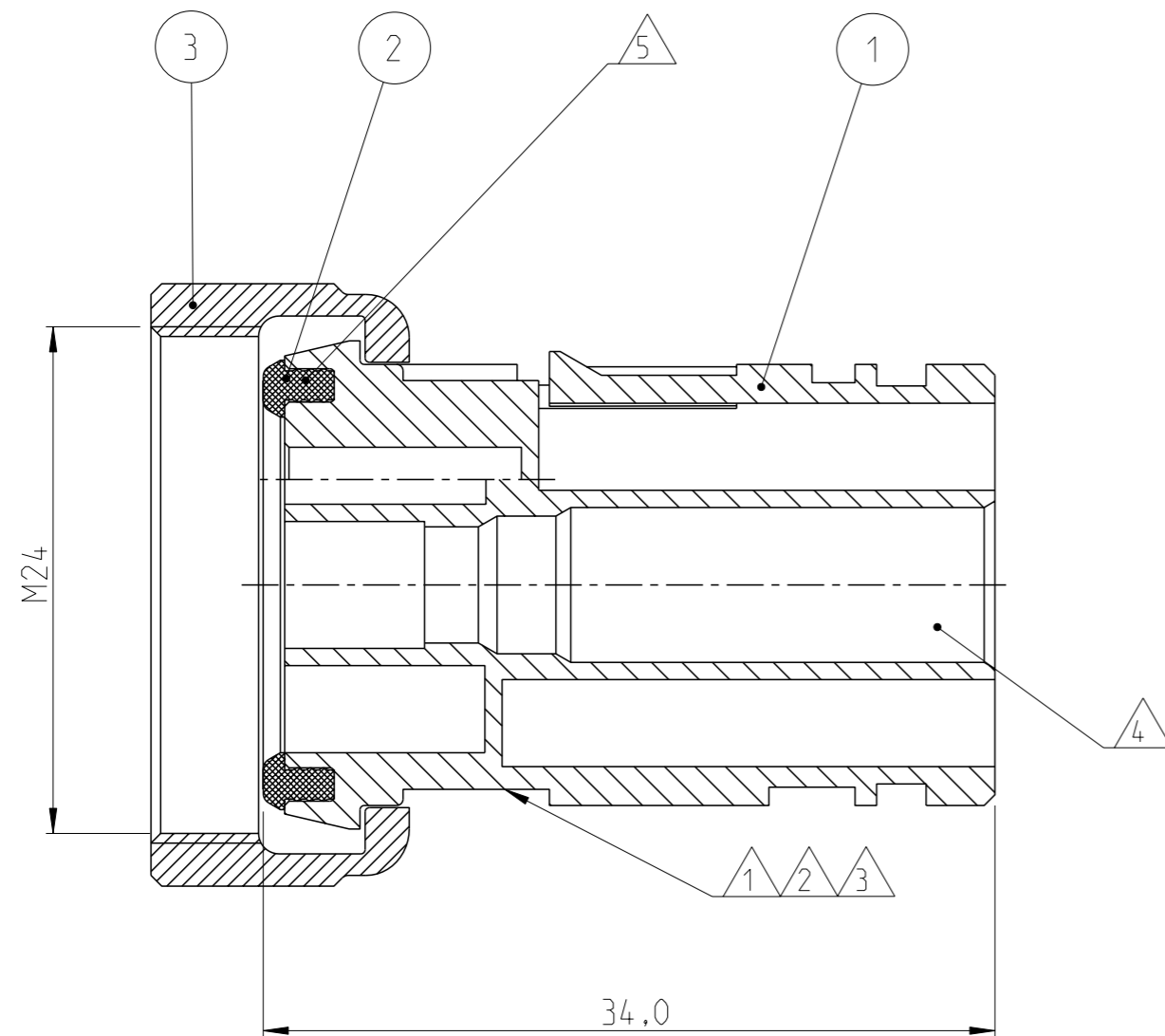
ALL RIGHTS RESERVED.

LOC  
FM

DIST  
-

REVISIONS

P	LTR	DESCRIPTION	DATE	DWN	APVD
0	H-9527		10FEB1992	JvL	RotB
A	H-9765		13MAY1992	LvdH	RotB
B	EH-08960-93		18NOV1993	DK	RotB
D1	ECR-12-004695		13MAR2012	GB	SzG



NOTES:

- △ 1 TRADEMARK PER SPEC. 115-19030-3
- △ 2 TE-IDENTIFICATION NUMBER ACC. DIN 1451 MITTLESCHR. HEIGHT 1.2
- △ 3 TE-MOLD IDENTIFICATION NUMBER
- △ 4 CAVITY FOR;
  - 1. 4mm. SOCKET CONTACT WIRE SIZE 0.5-4mm<sup>2</sup> SEE DRAWING NR.962952-1 NR.962954-1 NR.962956-1
  - 2. SCAT SEE DRAWING NR.963243-1 NR.963244-1
- △ 5 SEAL BONDED IN INSERT.

-1 AS SHOWN

MATERIAL	DESCRIPTION	PART NO	ITEM
BRASS	NUT M24	100296-1	3
SILICON RUBBER	SEALING RING	100294-1	2
PBT	2-POS. HOUSING	100287-1	1

THIS DRAWING IS A CONTROLLED DOCUMENT.

DWN J.v.Liempt 10FEB1992

CHK R.o.t.Berg 10FEB1992

APVD L.v.Soest 24NOV1993

PRODUCT SPEC

APPLICATION SPEC

WEIGHT -

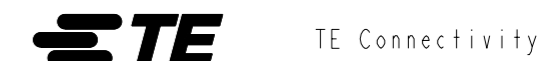
CUSTOMER DRAWING

DIMENSIONS: mm

TOLERANCES UNLESS OTHERWISE SPECIFIED:

0 PLC	±
1 PLC	±0.2
2 PLC	±0.02
3 PLC	±0.005
4 PLC	±
ANGLES	±1

MATERIAL - FINISH -



NAME ASSY 2 POS HOUSING FOR 4mm SOCKET CONTACT M24 VERSION

SIZE A3 CAGE CODE 00779 DRAWING NO C-100283 RESTRICTED TO -

SCALE 3:1 SHEET 1 OF 1 REV D1