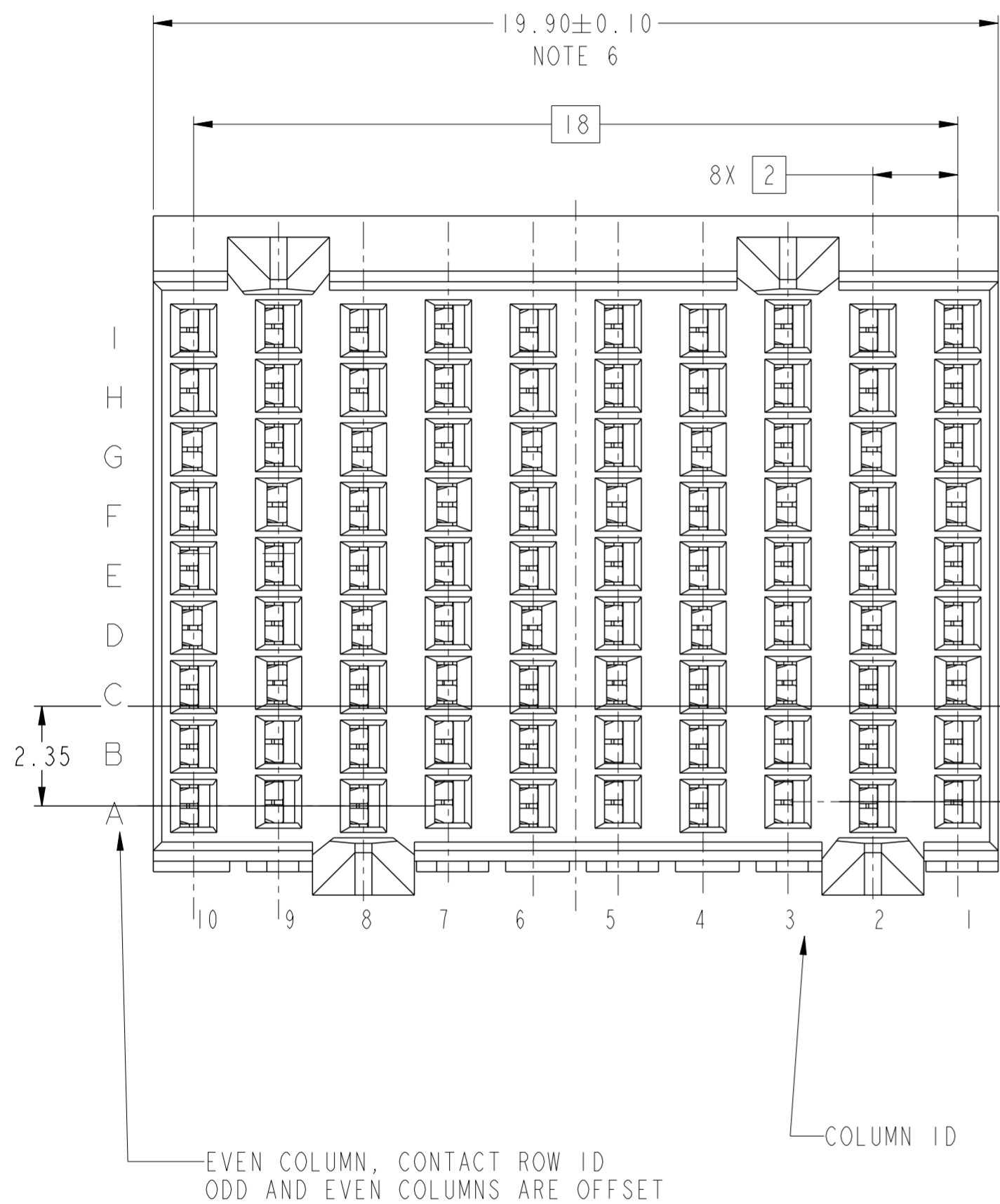


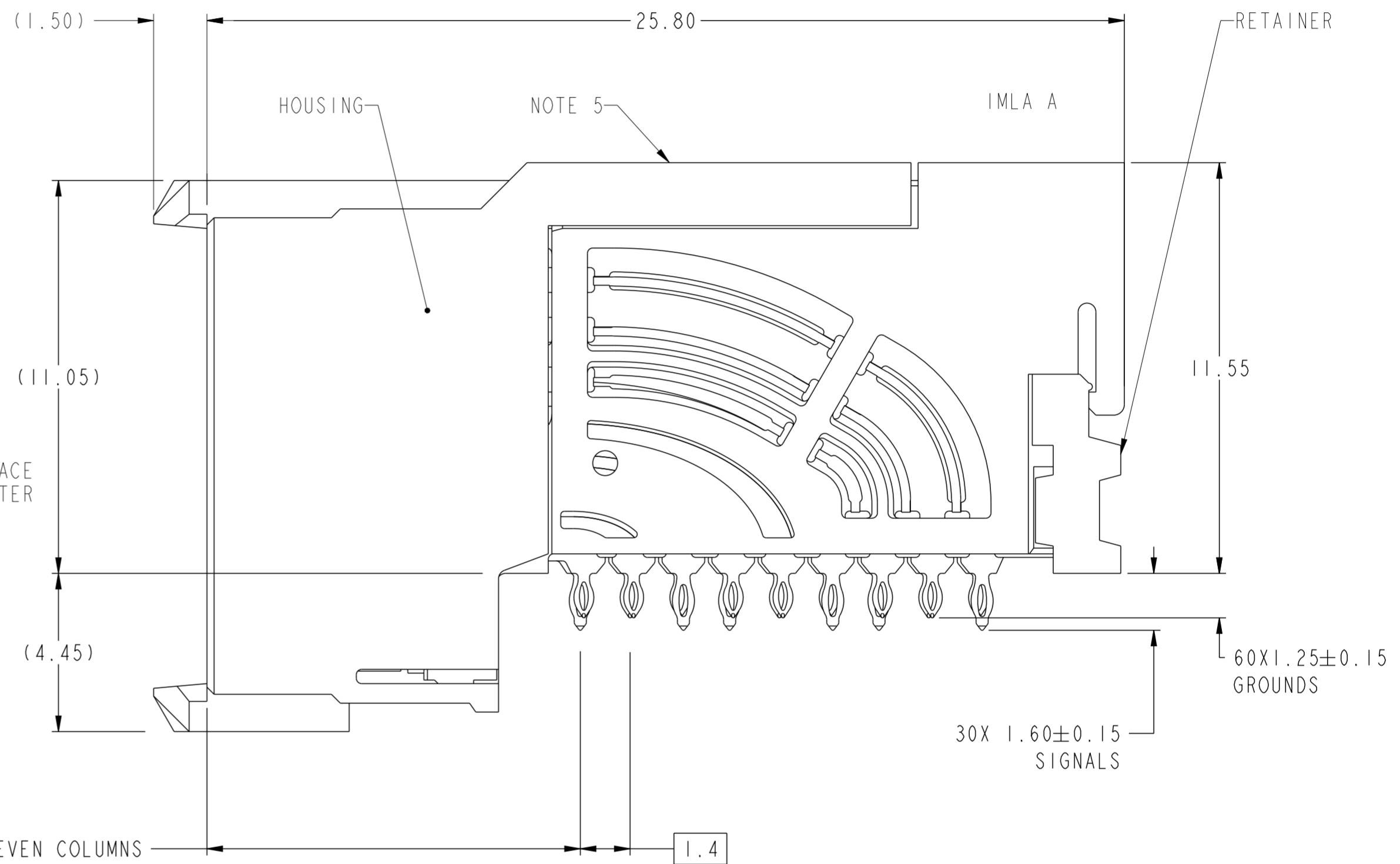
PRODUCT NUMBER
SEE SHEET 3



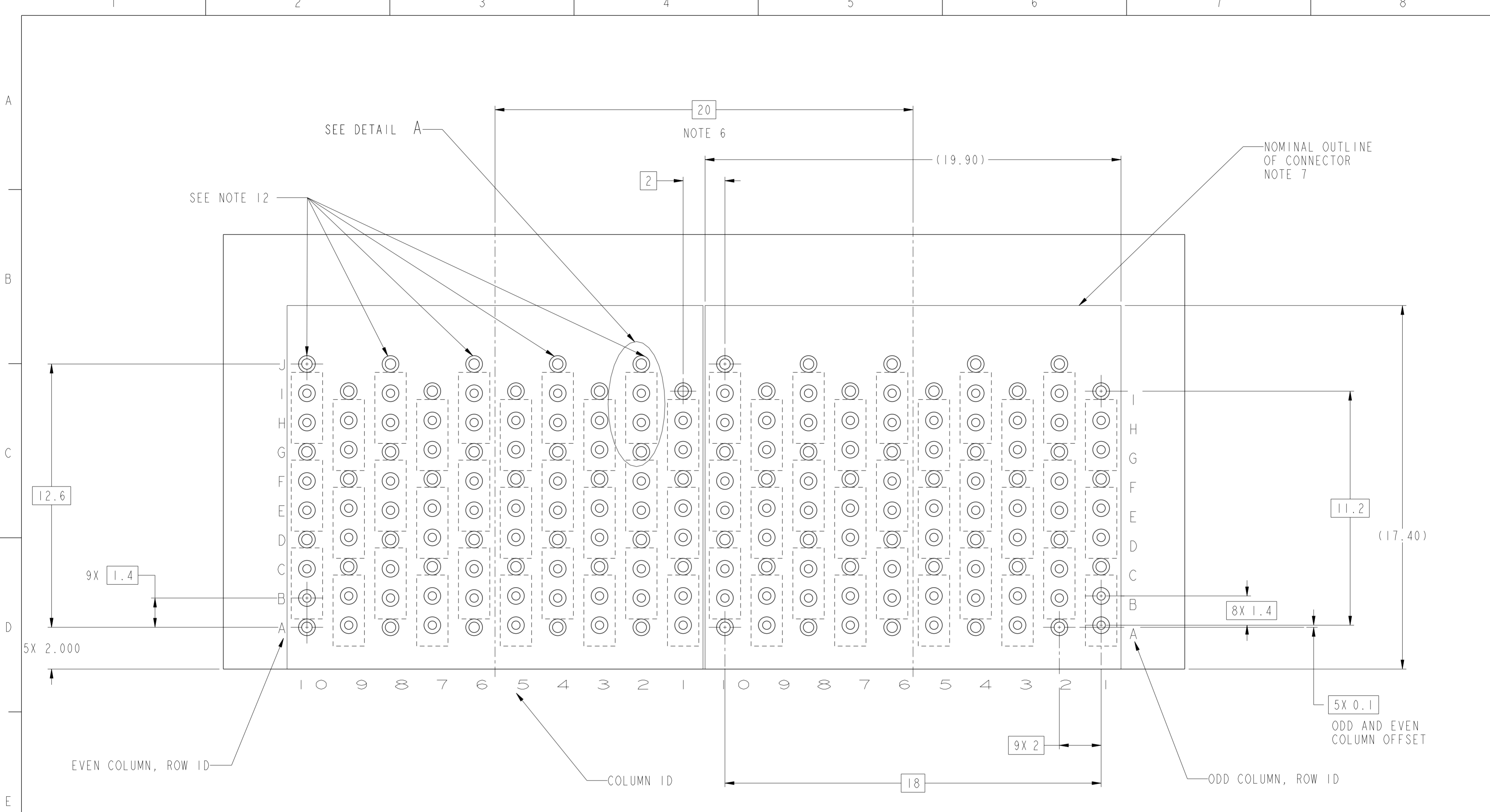
TOP SURFACE OF DAUGHTER CARD

2.25

10.50¢ OF EVEN COLUMNS
10.60¢ OF ODD COLUMNS



spec ref	---	dr	Tao Zhan	2014/03/04	projection	MM	size	A2	scale	1:1
tolerance std	ASME Y14.5M	eng	Jeny Ren	2015/02/04			ecn no	ELX-DG-20165-1	rel level	Released
TOLERANCES UNLESS OTHERWISE SPECIFIED		chr	-	product family						
surface	<input checked="" type="checkbox"/> linear <input type="checkbox"/> angular	0.X	±.3		AIRMAX VS2 R.A. RECEPTACLE ASS'Y, 3 PAIR, 90 POS, 10 IMLA, 20MM	dwg no 10126913	rev B	cat. no. -	Product - Customer Drw	sheet 1 of 3
		0.XX	±.10							
		0.XXX	±.050							
angular	0°	±°	www.fci.com							



RECOMMENDED PCB LAYOUT
FOR DIFFERENTIAL APPLICATIONS
COMPONENT SIDE
(TWO ADJACENT FOOTPRINTS SHOWN)
NOTES 6, 8, & 11

Copyright FCI.
FCI

spec ref	---	dr	Tao Zhan	2014/03/04	projection	MM	size	A2	scale	1:1												
tolerance std	ASME Y14.5M	eng	Jeny Ren	2015/02/04			ecn no	ELX-DG-20165-1														
TOLERANCES UNLESS OTHERWISE SPECIFIED		chr	-	rel level				Released														
surface	<table border="1"> <tr> <td>linear</td> <td>0.X</td> <td>±.3</td> </tr> <tr> <td></td> <td>0.XX</td> <td>±.10</td> </tr> <tr> <td></td> <td>0.XXX</td> <td>±.050</td> </tr> <tr> <td>angular</td> <td>0°</td> <td>±°</td> </tr> </table>	linear	0.X	±.3		0.XX	±.10		0.XXX	±.050	angular	0°	±°	appr	Collins Lu	2015/02/06	product family	AirMax VSE	rev	B		
linear	0.X	±.3																				
	0.XX	±.10																				
	0.XXX	±.050																				
angular	0°	±°																				
www.fci.com		title		AIRMAX VS2 R.A. RECEPTACLE		dwg no		10126913														
cat. no.		-		Product - Customer Drw		sheet 2 of 3																

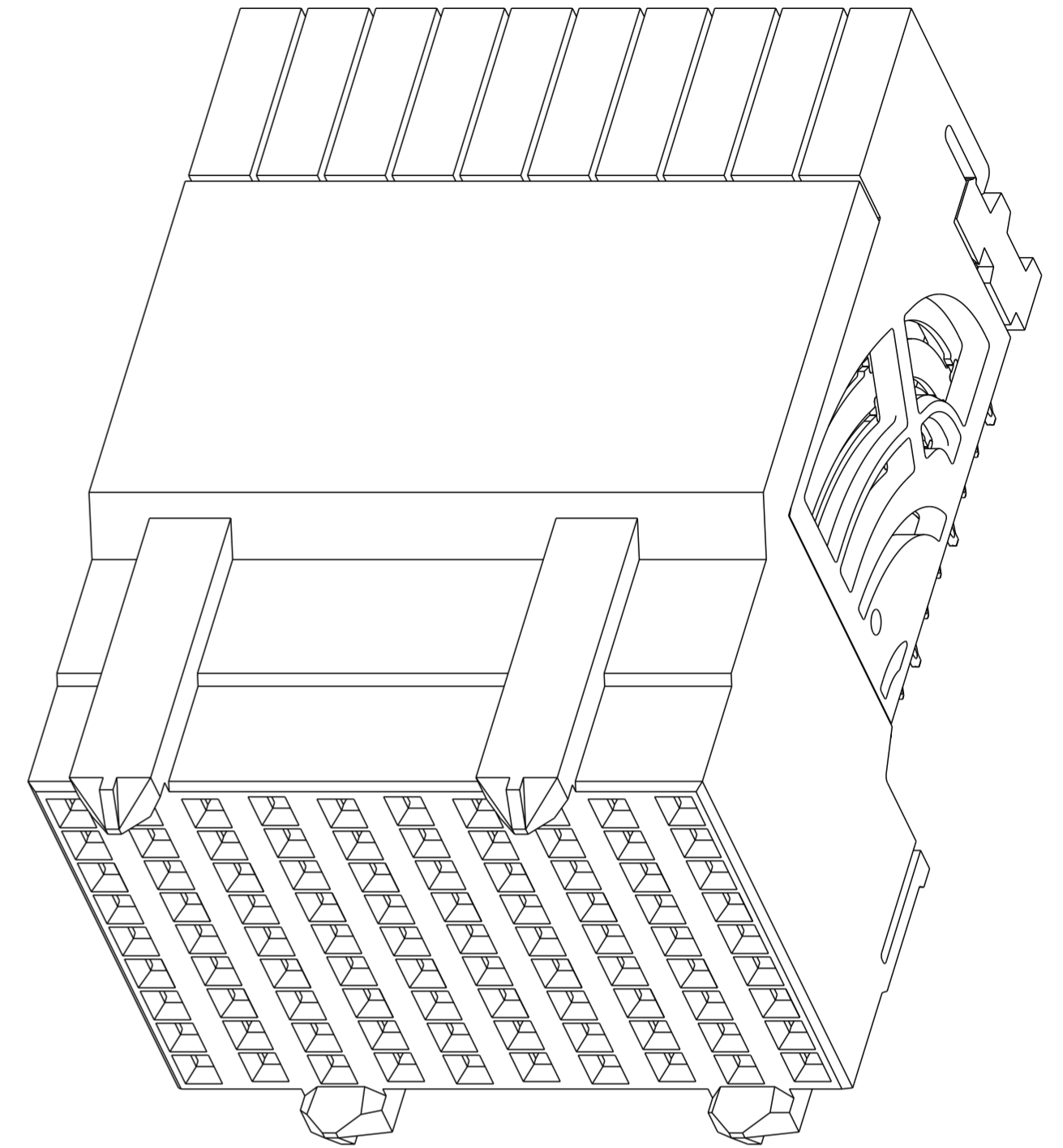
PDS: Rev :B

STATUS:Released

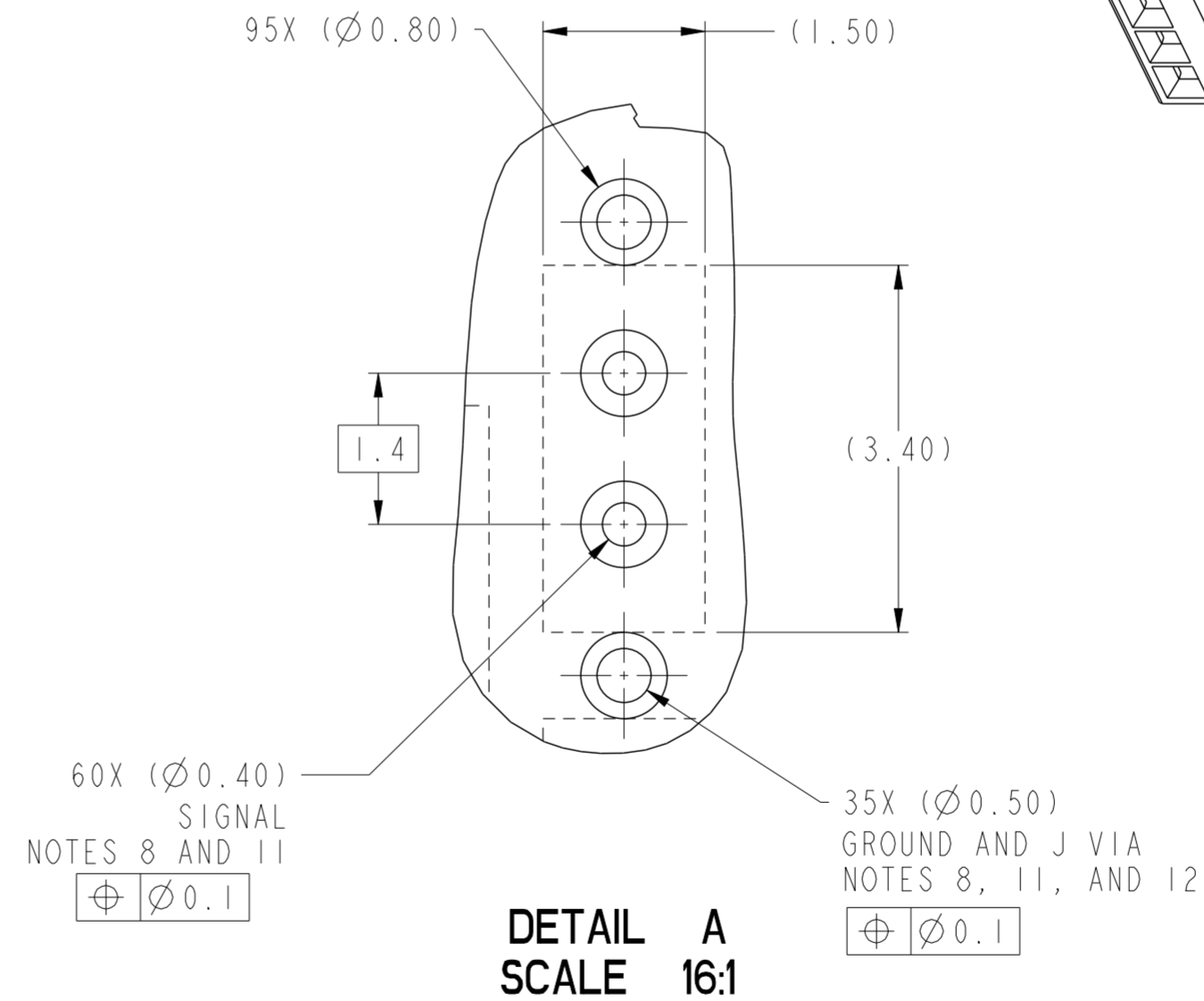
Printed: Feb 06, 2015

PRODUCT NUMBER	PRESS-FIT TAIL PLATING TYPE
10126913-101	TIN/LEAD ALLOY OVER NICKEL
10126913-101LF	TIN OVER NICKEL (LEAD FREE)

- 1 - CONNECTOR MATERIALS:
HOUSING: HIGH TEMP THERMOPLASTIC, NATURAL, UL94-V0
IMLA PLASTIC: HIGH TEMP THERMOPLASTIC, BLACK, UL94-V0
CONTACT: COPPER ALLOY
ORGANIZER: HIGH TEMP THERMOPLASTIC, NATURAL, UL94-V0
- 2 - CONTACT PLATING:
SEPARABLE INTERFACE:
PERFORMANCE-BASED PLATING, QUALIFIED TO MEET THE REQUIREMENTS OF FCI PRODUCT SPECIFICATION GS-12-0956 INCLUDING TELCORDIA GR-1217-CORE (NOVEMBER 1995) CENTRAL OFFICE TEST SEQUENCE
- PRESS-FIT TAILS: SEE TABLE
- 3 - PRODUCT SPECIFICATION: GS-12-0956
- 4 - APPLICATION SPECIFICATION: GS-20-0305.
- 5 - PRODUCT MARKING, (PART NUMBER & LOT CODE), ON THIS SURFACE.
- 6 - THE MINIMUM CENTERLINE SPACING BETWEEN ADJACENT MODULES IS 20.0 MM.
- 7 - CONNECTOR OUTLINE MAY BE SCREEN PRINTED ONTO CUSTOMER PCB TO BE USED AS A GUIDE FOR MANUAL CONNECTOR PLACEMENT.
- 8 - REFER TO CUSTOMER DRAWING 10104444 FOR INFORMATION ON PCB HOLE DIAMETERS AND PLATING OPTIONS
- 9 - LEAD FREE PRODUCT MEETS THE EUROPEAN UNION DIRECTIVES & OTHER COUNTRY REGULATIONS AS DESCRIBED IN GS-22-008
- 10 - PACKAGING MEETS GS-14-920 LEAD FREE LABELING SPECIFICATION.
- 11 - GROUND CONTACTS (C,F, AND I IN ODD COLUMNS AND A, D, AND G, EVEN COLUMNS) REQUIRE (Ø0.500) FINISHED HOLES. SIGNAL LOCATIONS REQUIRE (Ø0.400) FINISHED HOLES.
- 12 - THESE OUTER VIAS (J) ARE OPTIONAL. WHILE NO CONNECTOR EONS ARE PRESSED INTO THESE HOLES WE RECCOMEND (Ø0.500) FINISHED HOLES AT THESE LOCATIONS TO PROVIDE GROUND SYMMETRY THROUGH THE PCB.



10126913-101 OR -101LF



DETAIL A
SCALE 16:1

spec ref	---	dr	Tao Zhan	2014/03/04	projection	MM	size	A2	scale	4:1	
tolerance std	ASME Y14.5M	eng	Jeny Ren	2015/02/04	chr	-	ecn no	ELX-DG-20165-1	rel level	Released	
surface	✓	appr	Collins Lu	2015/02/06	product family		title	AIRMAX VS2 R.A. RECEPTACLE ASS'Y, 3 PAIR, 90 POS, 10 IMLA, 20MM	dwg no	10126913	
	linear	0.X	±.3							rev	B
		0.XX	±.10								
		0.XXX	±.050								
	angular	0°	±°								
		www.fci.com		cat. no.	Product - Customer Drw		sheet 3 of 3				

PDS: Rev :B

STATUS:Released

Printed: Feb 06, 2015



Copyright FCI.