

**NOTES:**

1. THIS LIGHT PIPE ASSEMBLY TO BE USED WITH THE FOLLOWING 1X4 SFP CAGE ASSEMBLIES:

747280411 - 1X4 SFP CAGE ASSEMBLY W/ PRESS FIT PINS, W/ 0.090 GASKET, F/ LIGHT PIPES (REFER TO DOCUMENT SD-74728-411)

747280412 - 1X4 SFP CAGE ASSEMBLY W/ SOLDER POSTS, W/ 0.103 GASKET, F/ LIGHT PIPES (REFER TO DOCUMENT SD-74728-412)

747280415 - 1X4 SFP CAGE ASSEMBLY W/ PRESS FIT PINS, W/ 0.0103 GASKET, F/ LIGHT PIPES (REFER TO DOCUMENT SD-74728-415)

2. IT IS RECOMMENDED THAT THE CAGE ASSEMBLY BE PRESSED INTO OR SOLDERED TO THE PCB PRIOR TO ASSEMBLING THE LIGHT PIPE ASSEMBLY.

3. LED'S TO HAVE A MAXIMUM HEIGHT OF 1.4mm AND A MINIMUM HEIGHT OF 0.7mm

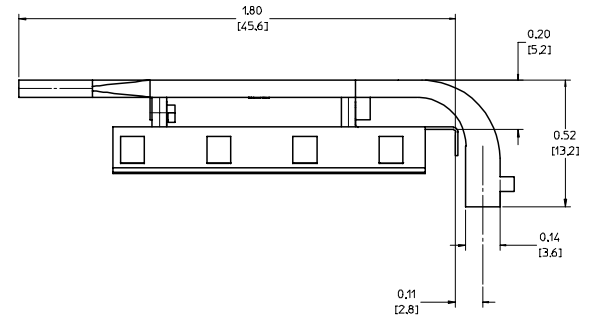
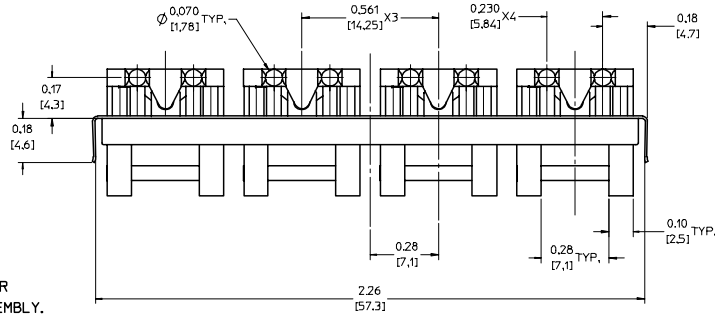
4. RECOMMENDED LED'S INCLUDE THE FOLLOWING MANUFACTURES:

DIALIGHT: 597-77x1-5xx SERIES

CHICAGO MINIATURE: 7016 SERIES

KINGBRIGHT: APLB3025 SERIES (BICOLOR)  
APL3015 SERIES (SINGLE COLOR)

5. THIS PART MEETS THE RESTRICTION OF HAZARDOUS SUBSTANCES IN ELECTRICAL AND ELECTRONIC EQUIPMENT (ROHS) DIRECTIVE (2002/95/EC).



<b>ENTER DESCRIPTION</b> EC NO: UST2006-0008 DRAWN BY: DRINKS/ROBINSON 2005/07/15 CHECKED BY: CHFK/BRUSSELL 2005/07/15 APPR: BRUSSELL 2005/07/25 DESCRIPTION: A	QUALITY SYMBOLS	GENERAL TOLERANCES (UNLESS SPECIFIED)		DIMENSION STYLE		SCALE	DESIGN UNITS	THIRD ANGLE PROJECTION	
	$\nabla=0$ $\nabla=0$	mm	INCH	IN/MM		4:1	METRIC		
		4 PLACES ± --- ± ---	3 PLACES ± --- ± .005	2 PLACES ± 0.13 ± .01	1 PLACE ± 0.25 ± ---	ANGULAR ± 1 °	DRAWN BY: KSI MONSO 2005/07/09	CHECKED BY: BRUSSELL 2005/07/09	APPROVED BY: BRUSSELL 2005/07/09
	DRAFT WHERE APPLICABLE MUST REMAIN WITHIN DIMENSIONS	MATERIAL NO: 747280003		DOCUMENT NO: SD-74728-003		TITLE: 1X4 SFP LIGHT PIPE ASSY, BACK-TOP, SHORT 0.052 FROM STANDARD		MOLEX INCORPORATED	
REV	SIZE D		THIS DRAWING CONTAINS INFORMATION THAT IS PROPRIETARY TO MOLEX INCORPORATED AND SHOULD NOT BE USED WITHOUT WRITTEN PERMISSION		SHEET NO: 1 OF 5				



# PCB LAYOUT FOR SINGLE SIDE MOUNTING

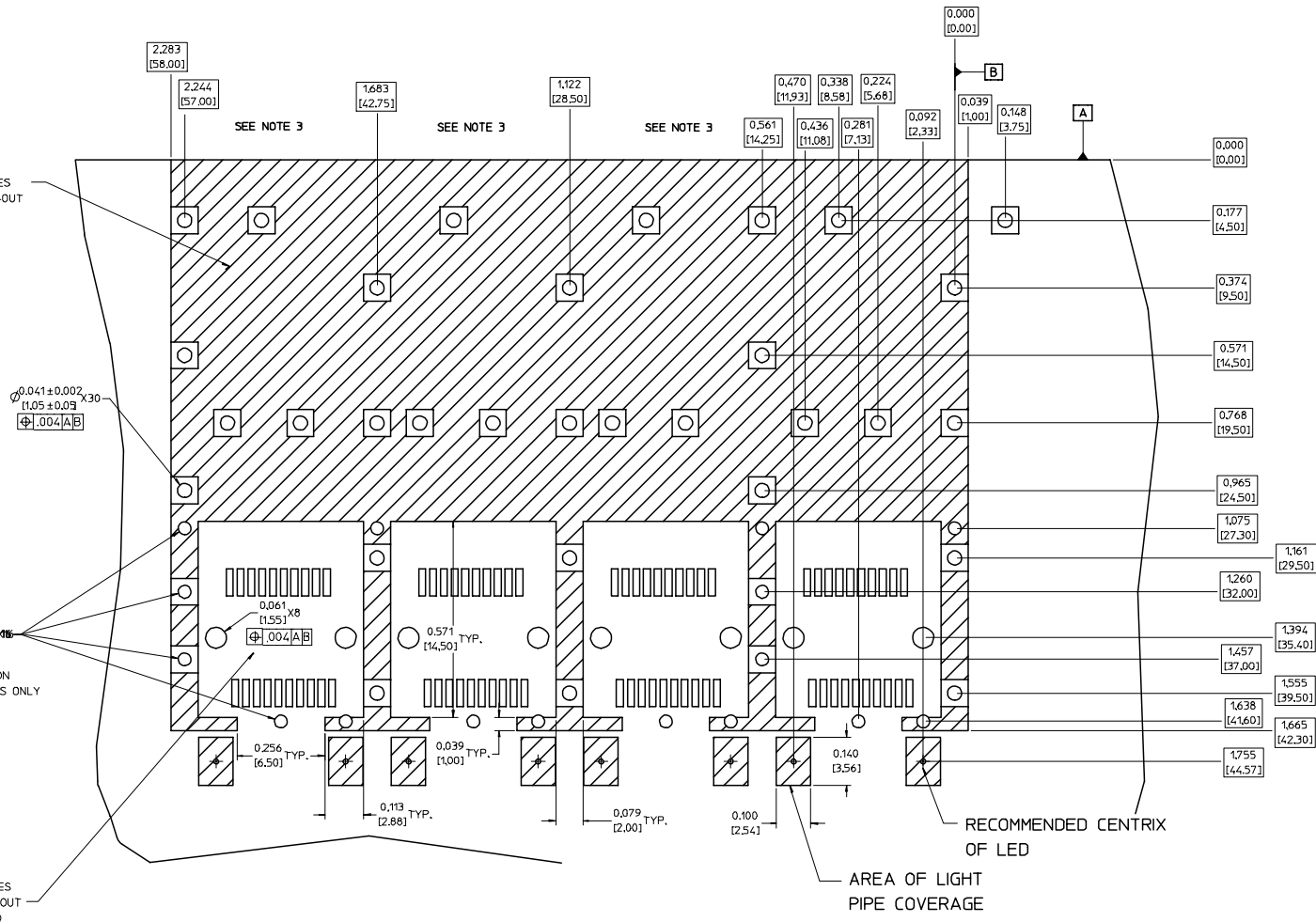
CROSS-HATCHED AREA DENOTES  
COMPONENT AND TRACE KEEP-OUT  
(EXCEPT CHASSIS GROUND)

$\varnothing 0.037 \pm 0.002$   
 $10.95 \pm 0.03$   
 $\Phi 0.004 [A/B]$   
SMALLER HOLE ON  
THESE FOUR ROWS ONLY

THIS AREA DENOTES  
COMPONENT KEEP-OUT  
(TRACES ALLOWED)

### NOTES:

1. PADS AND VIAS GO TO CHASSIS GROUND. (34 PLACES). RECOMMENDED PADS TO BE 2mm SQUARE.
2. PLATING OPTIONAL FOR THROUGH HOLES. (12 PLACES).
3. RECOMMENDED PLATING INCLUDES HASL, IMMERSION (GOLD OR SILVER), AND OSP.
4. HOLE PATTERN REPEATS FOR EACH PORT. SPACING BETWEEN PORTS IS 5.61 [14.25].



<b>ENTER DESCRIPTION</b> EC NO: UST2006-0008 DRINKS:IMONSON 2005/07/15 CHKCD:BRUSSELL 2005/07/15 APPR:BRUSSELL 2005/07/25	QUALITY SYMBOLS ▽=0 ▽=0	GENERAL TOLERANCES (UNLESS SPECIFIED) mm INCH 4 PLACES ± --- ± --- 3 PLACES ± --- ± .005 2 PLACES ± 0.13 ± .01 1 PLACE ± 0.25 ± --- ANGULAR ± 1 °	DIMENSION STYLE IN/MM DRAWN BY DATE KS IMONSO 2005/07/09 CHECKED BY DATE BRUSSELL 2005/07/09 APPROVED BY DATE BRUSSELL 2005/07/09	SCALE 6:1	DESIGN UNITS METRIC	THIRD ANGLE PROJECTION
	DRAFT WHERE APPLICABLE MUST REMAIN WITHIN DIMENSIONS			MATERIAL NO. 747280003	DOCUMENT NO. SD-74728-003	SHEET NO. 3 OF 5
	TITLE 1X4 SFP LIGHT PIPE ASSY, BACK-TOP, SHORT 0.052 FROM STANDARD			MOLEX INCORPORATED		
	THIS DRAWING CONTAINS INFORMATION THAT IS PROPRIETARY TO MOLEX INCORPORATED AND SHOULD NOT BE USED WITHOUT WRITTEN PERMISSION					



20 19 18 17 16 15 14 13 12 11 10 9 8 7 6 5 4 3 2 1

M

L

K

J

I

H

G

F

E

D

C

B

A

M

L

K

J

I

H

G

F

E

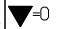
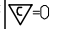
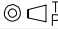
D

C

B

A

DATE	REV	CHANGES	COMMENTS
2005/07/09	A	INITIAL RELEASE	N/A

<b>ENTER DESCRIPTION</b> EC NO: UST2006-0008 DRAWN BY: DRWNSKIMONSON 2005/07/15 CHECKED BY: CHFKBRUSSELL 2005/07/15 APPR: BRUSSELL 2005/07/25 REV: A	<b>QUALITY SYMBOLS</b>  = 0  = 0.05	<b>GENERAL TOLERANCES (UNLESS SPECIFIED)</b>		<b>DIMENSION STYLE</b> IN/MM		SCALE 1:1	DESIGN UNITS METRIC	 <b>THIRD ANGLE PROJECTION</b>	
		4 PLACES ± --- ± --- 3 PLACES ± --- ± .005 2 PLACES ± 0.13 ± .01 1 PLACE ± 0.25 ± ---	mm INCH	DRAWN BY: KS IMONSON DATE: 2005/07/09	CHECKED BY: BRUSSELL DATE: 2005/07/09	TITLE 1X4 SFP LIGHT PIPE ASSY, BACK-TOP, SHORT 0.052 FROM STANDARD			
		ANGULAR ± 1 °		APPROVED BY: BRUSSELL DATE: 2005/07/09	MATERIAL NO.: 747280003		DOCUMENT NO.: SD-74728-003		SHEET NO.: 5 OF 5
		DRAFT WHERE APPLICABLE MUST REMAIN WITHIN DIMENSIONS		THIS DRAWING CONTAINS INFORMATION THAT IS PROPRIETARY TO MOLEX INCORPORATED AND SHOULD NOT BE USED WITHOUT WRITTEN PERMISSION					

19 18 17 16 15 14 13 12 11 10 9 8 7 6 5 4 3 2 1