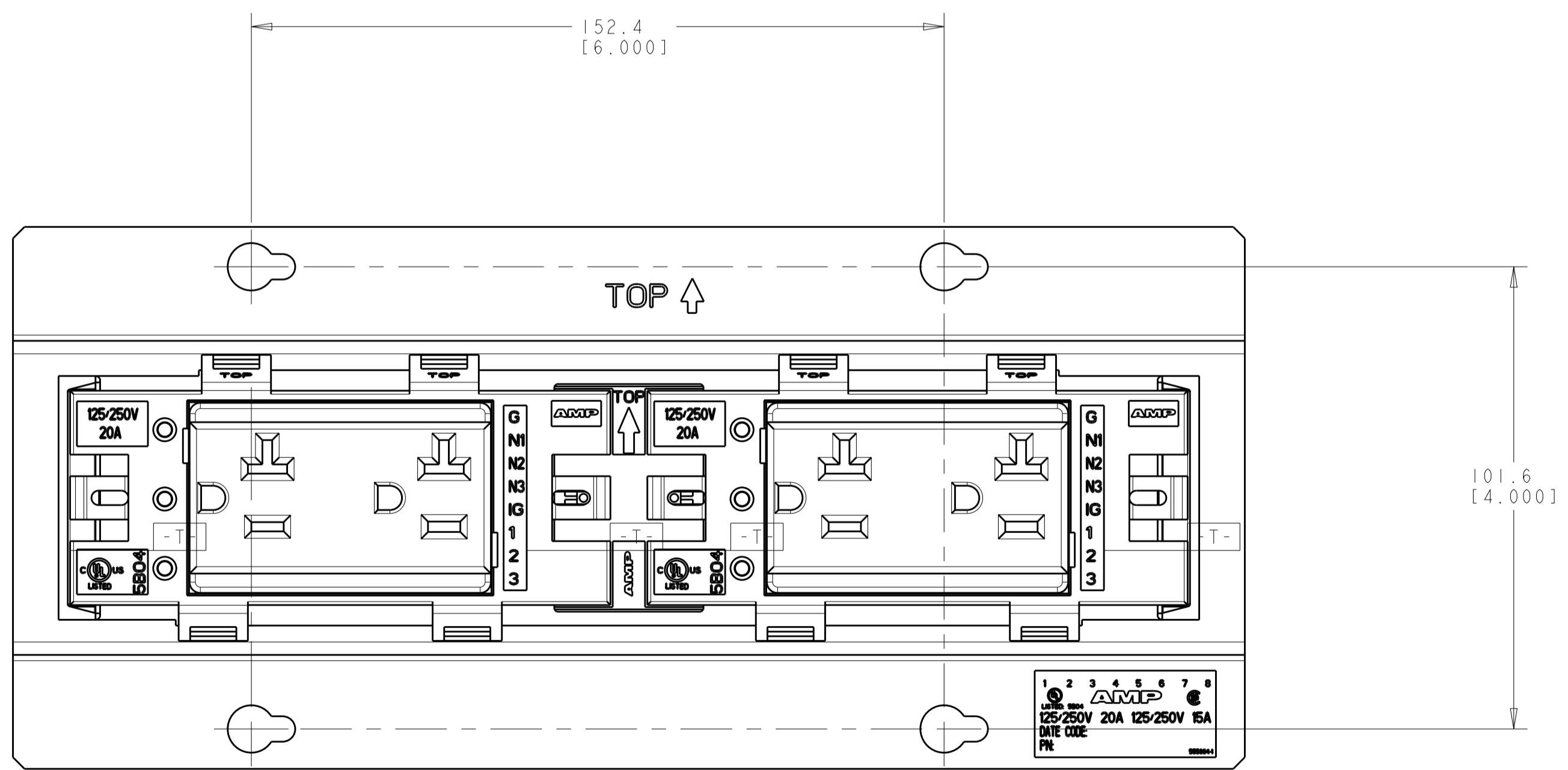
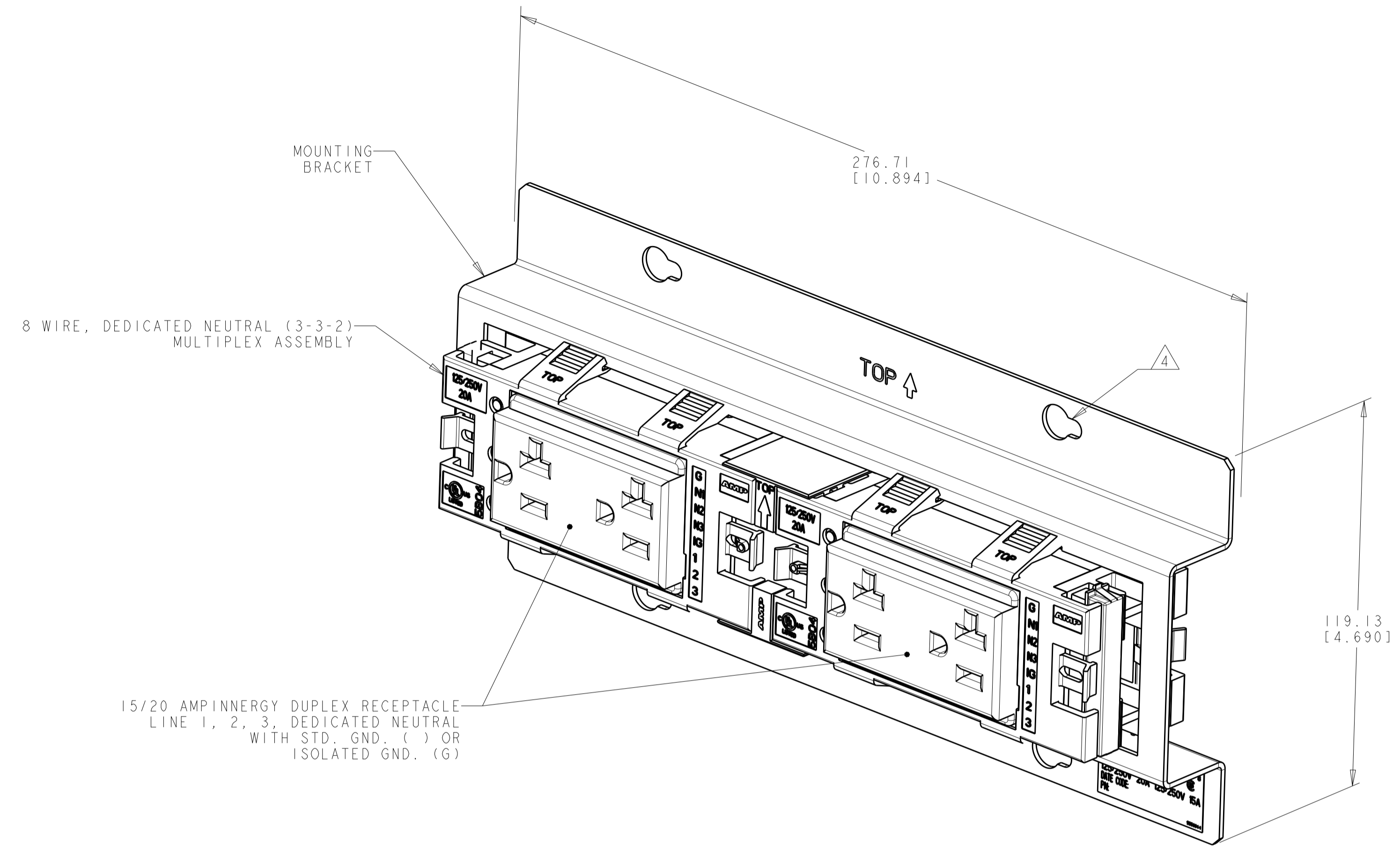


REVISIONS				
P.	LTN	DESCRIPTION	DATE	DWN. APVD.
A		RLSD; NPR NSD07-105	18JAN2008	GG SJ
B		REV PER ECO-14-004513	09APR2014	JB MS



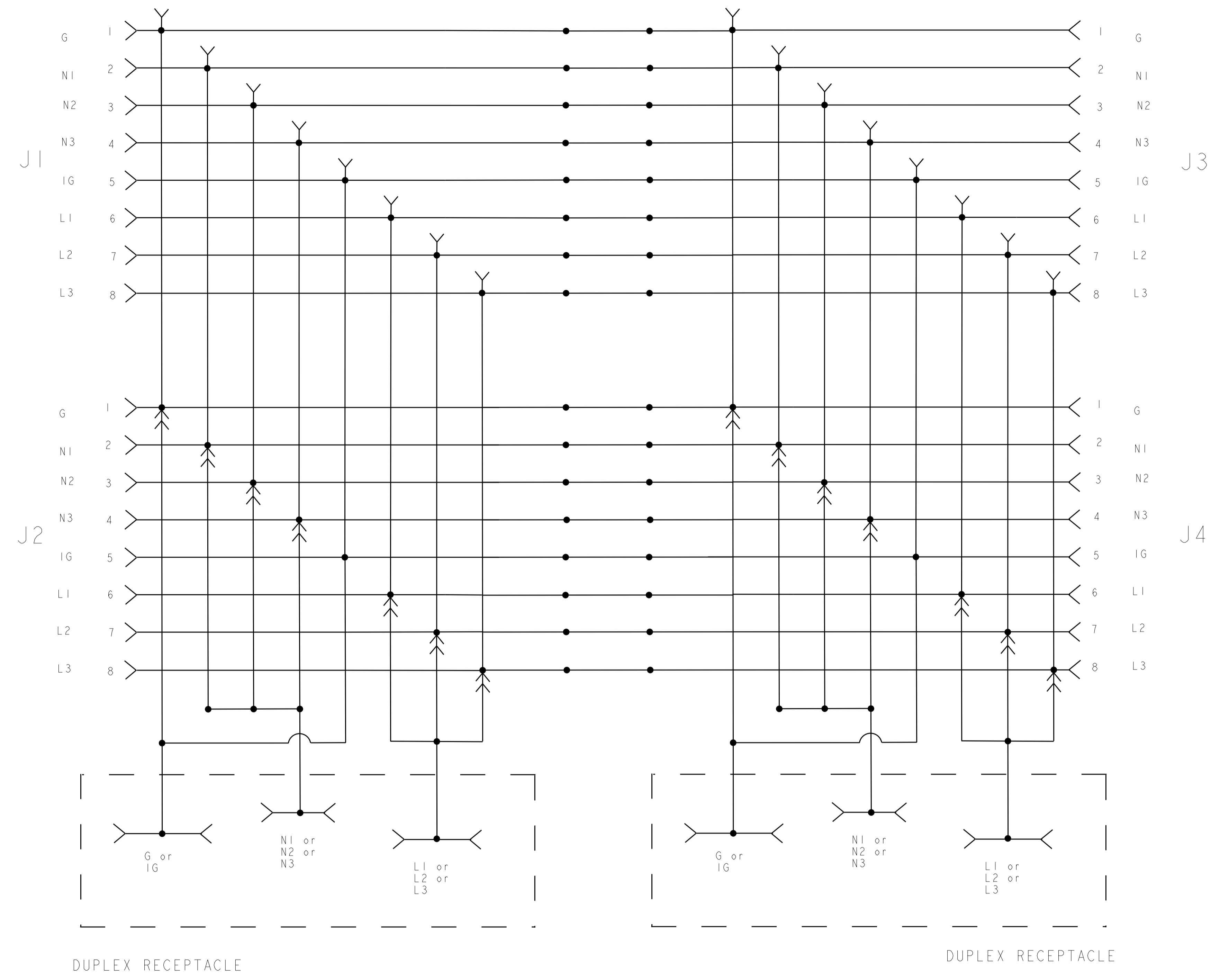
SUGGESTED MOUNTING PATTERN \triangle

- \triangle ALL DIMENSIONS ARE NOMINAL UNLESS OTHERWISE SPECIFIED.
- \triangle POWER STRIP IS WIRED PER ELECTRICAL SCHEMATIC.
- \triangle MATERIAL:
 JUNCTION BOX HOUSINGS - POLYCARBONATE, UL 94V-0, BLACK.
 JUNCTION BOX DUST COVER - 6/6, UL 94V-0 RATED.
 JUNCTION BOX CONTACTS - COPPER ALLOY SELECTIVELY TIN-PLATED AND SILVER PLATED 0.00508 [0.000200] MINIMUM THICKNESS.
 POWER STRIP BRACKET - ZINC PLATED CARBON STEEL.
- \triangle APPLICATION:
 AMPINERGY - MODULAR POWER DISTRIBUTION SYSTEM, A MANUFACTURED WIRING SYSTEM.
 THE POWER STRIP IS DESIGNED TO BE MOUNTED USING THE KEYHOLE PATTERN IN THE MOUNTING BRACKET WITH CUSTOMER SUPPLIED FASTENERS, 4 PLACES.

	BLANK	BLANK	9-1933414-9
OBSELETE	LINE 3G	LINE 3	7-1933414-3
OBSELETE	LINE 3G	LINE 2	7-1933414-2
OBSELETE	LINE 3G	LINE 1	7-1933414-1
OBSELETE	LINE 2G	LINE 3	6-1933414-3
OBSELETE	LINE 2G	LINE 2	6-1933414-2
OBSELETE	LINE 2G	LINE 1	6-1933414-1
OBSELETE	LINE 1G	LINE 3	5-1933414-3
OBSELETE	LINE 1G	LINE 2	5-1933414-2
OBSELETE	LINE 1G	LINE 1	5-1933414-1
	LINE 2	LINE 3	2-1933414-3
	LINE 1	LINE 3	1-1933414-3
	LINE 1	LINE 2	1-1933414-2
OBSELETE	LINE 3G	LINE 3G	1933414-7
OBSELETE	LINE 2G	LINE 2G	1933414-6
OBSELETE	LINE 1G	LINE 1G	1933414-5
	LINE 3	LINE 3	1933414-3
	LINE 2	LINE 2	1933414-2
	LINE 1	LINE 1	1933414-1
	LEFT SIDE LINE NUMBER	RIGHT SIDE LINE NUMBER	PART NUMBER

THIS DRAWING IS A CONTROLLED DOCUMENT.		DWN. G. GARRETT 18JAN2008	TE Connectivity
DIMENSIONS: MM [INCHES]		CHK. S. JONES 18JAN2008	
TOLERANCES UNLESS OTHERWISE SPECIFIED:		APVD. S. JONES 18JAN2008	
0 PLC ± 1 PLC ± 2 PLC ± 3 PLC ± 4 PLC ± ANGLES ±	± ± ± ± ±	NAME: POWER STRIP, KEYHOLE MOUNT, 2 PORT, 3-3-2 PRODUCT SPEC: 108-1234 APPLICATION SPEC: 114-6039 WEIGHT: - CUSTOMER DRAWING	SIZE: A1 CAGE CODE: - DRAWING NO: 1933414 SCALE: 1:1 SHEET 1 OF 3 REV B

REVISIONS				
P.	LTN	DESCRIPTION	DATE	APVD
--		SEE SHEET 1	-	-




ELECTRICAL SCHEMATIC FOR
 8-WIRE, DEDICATED NEUTRAL (3-3-2)
 POWER STRIP Δ

THIS DRAWING IS A CONTROLLED DOCUMENT.		DWN: G. GARRETT 18JAN2008	TE Connectivity
DIMENSIONS: MM [INCHES]		CHK: S. JONES 18JAN2008	
TOLERANCES UNLESS OTHERWISE SPECIFIED:		APVD: S. JONES 18JAN2008	
0 PLC ± 1 PLC ± 2 PLC ± 3 PLC ± 4 PLC ± ANGLES ±		NAME: POWER STRIP, KEYHOLE MOUNT, 2 PORT, 3-3-2 PRODUCT SPEC: 108-1234 APPLICATION SPEC: 114-6039 WEIGHT: - CUSTOMER DRAWING	
MATERIAL: -	FINISH: -	SCALE: 1:1	RESTRICTED TO: -
SHEET 2 OF 3			REV B

THIS DRAWING IS UNPUBLISHED. RELEASED FOR PUBLICATION 20
 © COPYRIGHT 20 BY - ALL RIGHTS RESERVED.

REVISIONS				
P.	LTN	DESCRIPTION	DATE	APVD
--		SEE SHEET 1	-	-

BLANK	BLANK/BLANK	BLANK/BLANK	BLANK	BLANK	BLANK/BLANK	BLANK/BLANK	BLANK	9-1933414-9
ISOLATED	N3/4	3G/8	15/20	STANDARD	N3/4	L3/8	15/20	7-1933414-3
ISOLATED	N3/4	3G/8	15/20	STANDARD	N2/3	L2/7	15/20	7-1933414-2
ISOLATED	N3/4	3G/8	15/20	STANDARD	N1/2	L1/6	15/20	7-1933414-1
ISOLATED	N2/3	2G/7	15/20	STANDARD	N3/4	L3/8	15/20	6-1933414-3
ISOLATED	N2/3	2G/7	15/20	STANDARD	N2/3	L2/7	15/20	6-1933414-2
ISOLATED	N2/3	2G/7	15/20	STANDARD	N1/2	L1/6	15/20	6-1933414-1
ISOLATED	N1/2	1G/6	15/20	STANDARD	N3/4	L3/8	15/20	5-1933414-3
ISOLATED	N1/2	1G/6	15/20	STANDARD	N2/3	L2/7	15/20	5-1933414-2
ISOLATED	N1/2	1G/6	15/20	STANDARD	N1/2	L1/6	15/20	5-1933414-1
STANDARD	N2/3	L2/7	15/20	STANDARD	N3/4	L3/8	15/20	2-1933414-3
STANDARD	N1/2	L1/6	15/20	STANDARD	N3/4	L3/8	15/20	1-1933414-3
STANDARD	N1/2	L1/6	15/20	STANDARD	N2/3	L2/7	15/20	1-1933414-2
ISOLATED	N3/4	3G/8	15/20	ISOLATED	N3/4	3G/8	15/20	1933414-7
ISOLATED	N2/3	2G/7	15/20	ISOLATED	N2/3	2G/7	15/20	1933414-6
ISOLATED	N1/2	1G/6	15/20	ISOLATED	N1/2	1G/6	15/20	1933414-5
STANDARD	N3/4	L3/8	15/20	STANDARD	N3/4	L3/8	15/20	1933414-3
STANDARD	N2/3	L2/7	15/20	STANDARD	N2/3	L2/7	15/20	1933414-2
STANDARD	N1/2	L1/6	15/20	STANDARD	N1/2	L1/6	15/20	1933414-1
GROUND TYPE	NEUTRAL NO./CONTACT NO.	LINE NO./CONTACT NO.	AMPERAGE	GROUND TYPE	NEUTRAL NO./CONTACT NO.	LINE NO./CONTACT NO.	AMPERAGE	PART NO.
LEFT-SIDE DUPLEX RECEPTACLE CONNECTIONS				RIGHT-SIDE DUPLEX RECEPTACLE CONNECTIONS				

THIS DRAWING IS A CONTROLLED DOCUMENT.		DWN G. GARRETT 18JAN2008	 TE Connectivity
DIMENSIONS: MM [INCHES]		CHK S. JONES 18JAN2008	
TOLERANCES UNLESS OTHERWISE SPECIFIED: 0 PLC ±. 1 PLC ±. 2 PLC ±. 3 PLC ±. 4 PLC ±. ANGLES ±. FINISH		APVD S. JONES 18JAN2008	NAME POWER STRIP, KEYHOLE MOUNT, 2 PORT, 3-3-2
MATERIAL		PRODUCT SPEC 108-1234	RESTRICTED TO
		APPLICATION SPEC 114-6039	SIZE A1
		WEIGHT	CAGE CODE 1933414
		CUSTOMER DRAWING	SCALE 1:1
			SHEET 3 OF 3
			REV B