

4

3

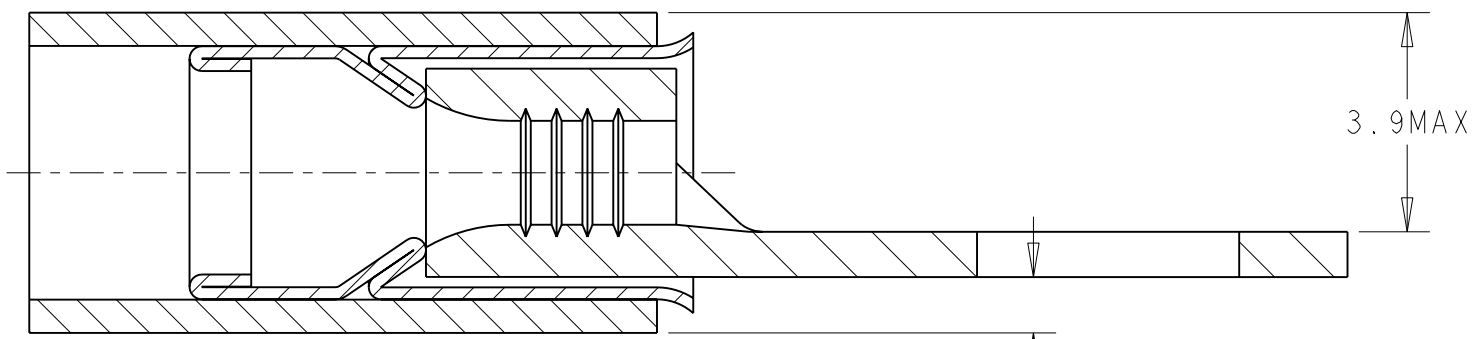
2

1

THIS DRAWING IS UNPUBLISHED. RELEASED FOR PUBLICATION 20
 © COPYRIGHT 20 BY TYCO ELECTRONICS CORPORATION. ALL RIGHTS RESERVED.

LOC	DIST	REVISIONS			
P	LTR	DESCRIPTION	DATE	DWN	APVD
F	00				
	B	6.76 MIN WAS 6.76 MAX	07FEB2007	GR	GR
	C	ECR 07-025006	26OCT2007	JT	GR

COUPE C-C



3.9 MAX

1.3 MAX

BODY 0.80±0.03 TONGUE THICKNESS

Ø 4.34±0.08 FOR #8 OR M4 STUD

FOR INSULATION Ø 1.4 - 2.67

Ø 5.15 MAX

STAMP : AMP 18 16

SLEEVE

INSULATION

SERRATIONS

C

C

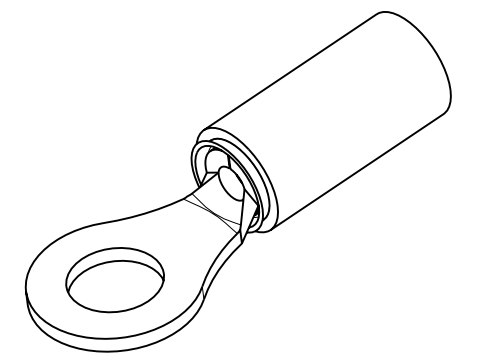
7.92±0.15

0.79 MIN

6.76 MIN

18.39 MAX

22.43 MAX



SCALE 3:1

WIRE TERMINAL	1577632-1	BODY : COPPER ANNEALED FINISH : NICKEL PLATED
		SLEEVE : COPPER ANNEALED FINISH : NICKEL PLATED
		INSULATION : PEEK COLOR : ORANGE
DESCRIPTION	PART NUMBER	MATERIAL & FINISH

THIS DRAWING IS A CONTROLLED DOCUMENT FOR TYCO ELECTRONICS CORPORATION
 IT IS SUBJECT TO CHANGE AND THE CONTROLLING ENGINEERING ORGANIZATION
 SHOULD BE CONTACTED FOR THE LATEST REVISION.

DIMENSIONS: mm		TOLERANCES UNLESS OTHERWISE SPECIFIED:	
		0 PLC ±-	
		1 PLC ±0.3	
		2 PLC ±-	
		3 PLC ±-	
		4 PLC ±-	
		ANGLES ±5	
MATERIAL	SEE TABLE	FINISH	SEE TABLE

DWN	JJ. DESPRETZ	22FEB2006	 Tyco Electronics France SAS 95300 Pontoise, France	
CHK	G. ROBERT	22FEB2006		
APVD	Y. PETRONIN	22FEB2006		
PRODUCT SPEC	108-15356			
APPLICATION SPEC	114-15102		NAME	TERMINAL, PEEK PIDG STRATO, 18-16 AWG
WEIGHT	0,95 gr		SIZE	A3
CUSTOMER DRAWING			CAGE CODE	00779
			DRAWING NO	1577632
			RESTRICTED TO	-
			SCALE	8:1
			SHEET	1 OF 1
			REV	C