

PRODUCT NUMBER
10119856 -XYHFLF

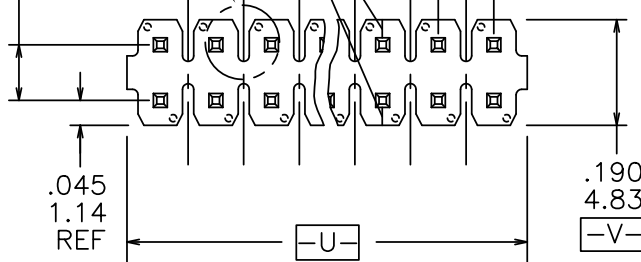
- LEAD FREE OPTION SEE NOTE 12
- HIGH TEMPERATURE PLASTIC SEE NOTE 1
- NO OF POSITIONS SEE NOTE 3
- PIN PLATING SEE SHEET 2
- BASE PART NO.

OPEN KNIT LINE PERMISSIBLE IN THIS AREA

NOTE 8

.100
2.54 TYP

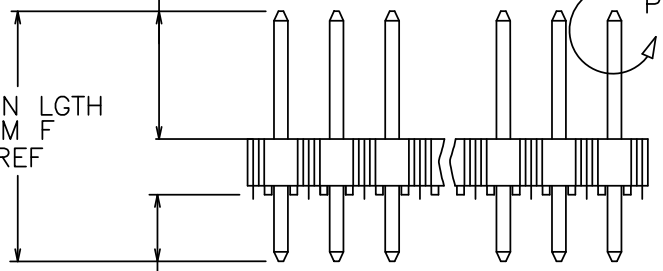
.100
2.54



DOUBLE ROW TOP VIEW

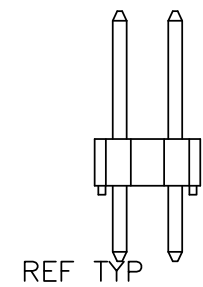
MATING LENGTH
DIM H ±.008
±.20

TOTAL PIN LGTH
DIM F REF



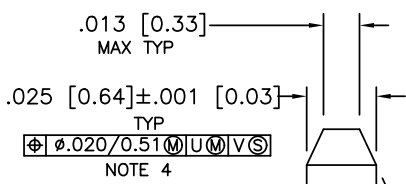
DOUBLE ROW SIDE VIEW

TAIL LENGTH
DIM G ±.010
±.25



DOUBLE ROW END VIEW

NOTE 6



DETAIL P
SCALE 5:1
TYP BOTH ENDS

25°±5°
4 SIDES

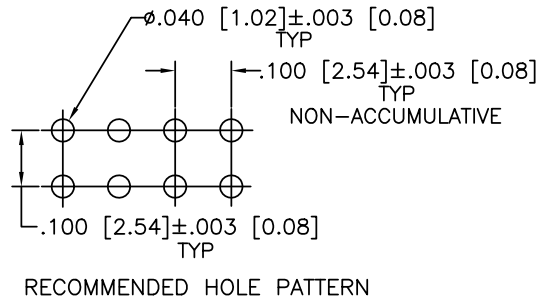
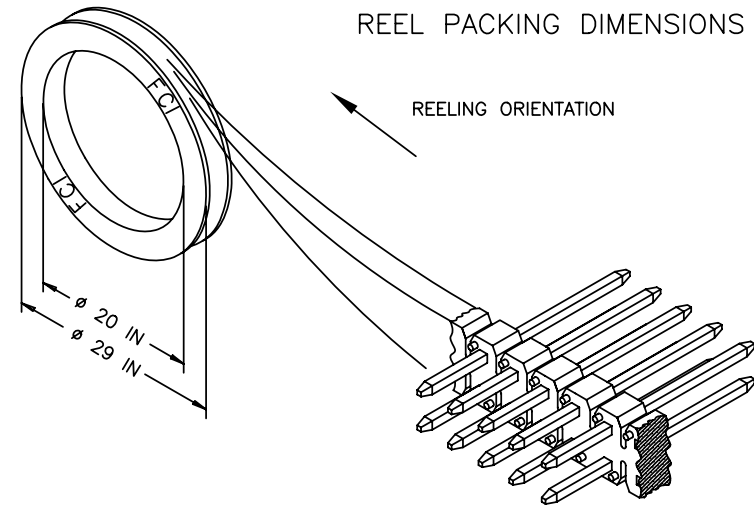
mat'l. code SEE NOTE 1 & 2		surface ISO 1302 ✓	tolerance ISO 406 ISO 1101	projection INCH/MM	product family BERGSTIK
ltr/electn n°dr	date	tolerances unless otherwise specified		title	BERGSTIK™ HEADER. D/R
A	J.Z 2012-02-29	angles	XXX±.01/XXX±.03	scale 1:1	.100/2.54cc STRAIGHT
		linea	XXX±.005/XXX±.013		
		0°±2'	XXX±.0020/XXX±.005		
		dr	J.ZHOU 2012-02-29	FCJ	dwg no
		engr	J.ZHOU 2012-02-29		sheet of 2
		chr	J.ZHOU 2012-02-29		size
		appd	R.BIAN 2012-02-29		A3
sheet index	revision	2	2	type Product Customer Drawing	
	sheet	1	2		

PRODUCT NUMBER	TOT. PIN LGTH.		TAIL LENGTH		MATING LENGTH		PACKAGING
	DIM F	DIM F	DIM G	DIM G	DIM H	DIM H	
	ENGLISH	METRIC	ENGLISH	METRIC	ENGLISH	METRIC	
10119856-400HLF	0.575	14.6	0.098	2.50	0.376	9.56	REEL

NOTES

- ① BODY MATERIAL : MANUFACTURER'S OPTION OF LCP
FLAME RETARDENT PER UL-94V-0.
COLOR: BLACK
- ② PIN MATERIAL : BRASS.
- ③ EVEN NUMBER OF POSITIONS FROM 2 (2X1) THROUGH 72 (2X36)
FOR BERGSTIK. -X00H INDICATES BERGSTRIIP PRODUCT.
FOR SPECIAL GEOMETRY OF THIS CONTINUOUS STRIP PRODUCT.
AUTOMATED REELS WILL CONTAIN 20,000 PINS.
SEE SPECIFIC PART NUMBERS FOR AVAILABILITY.
- ④ MEASURED WITH PART IN RESTRAINED CONDITION.
- 5. TWO SIDES OF PIN TIPS NOT PLATED. TYPICAL BOTH ENDS.
- ⑥ 2LBS/0.9KG MIN PIN RETENTION IN EITHER DIRECTION.
- ⑦ ±.010/0.25 TOL APPLIES TO ALL "G" TAILS EXCEPT
INDICATED PARTS ON TABLE WHERE +.010/0.25 -.000/0.00
APPLIES.
- ⑧ NOTCH CONFIGURATION WILL VARY PER VENDOR'S DISCRETION.
- ⑨ TAIL LENGTH (DIM. G) TO BE ±.008/.0.20.

- 10. POSITIONS PER ROW 37 TO 50 CAN BE PRODUCED,
BUT FLATNESS AND CURVATURE MAY NOT BE
HELD AS CLOSE AS 36 POSITIONS.
- ⑩ TOTAL LENGHT= .100 [2.54] X NO DE COLUMNS
- 12. ADD "LF" SUFFIX AT THE END OF PART NUMBER FOR LEAD FREE OPTION.



PIN PLATING CODES:	WIRE CODES:
10119856-4YYHLF	100u"/2.54u MIN TIN OVER 50u"/1.27u MIN Ni

mat'l. code SEE NOTE 1 & 2	surface ISO 1302 ✓	tolerance ISO 406 ISO 1101	projection ⊕	product family BERGSTIK
ltrlecn nōdr date	tolerances unless otherwise specified		INCH/MM	title BERGSTRIIP™ HEADER. D/R .100/2.54cc STRAIGHT
A	angles 0°±2'	linear XXX±.01/XXX±.03 XXX±.005/XXX±.013 XXX±.0020/XXX±.005	scale 1:1	dwg no 10119856
	dr J.ZHOU	2012-02-29	FCJ	shee 2 of 2 size A3
	enr J.ZHOU	2012-02-29		type Product Customer Drawing
	chr J.ZHOU	2012-02-29		
	app R.BIAN	2012-02-29		
sheet index	revision sheet			