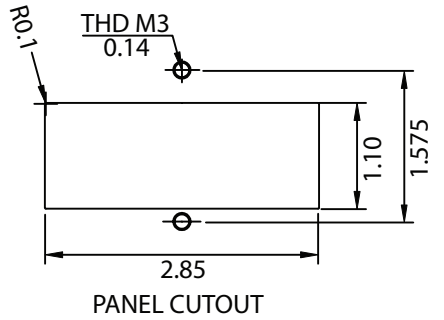
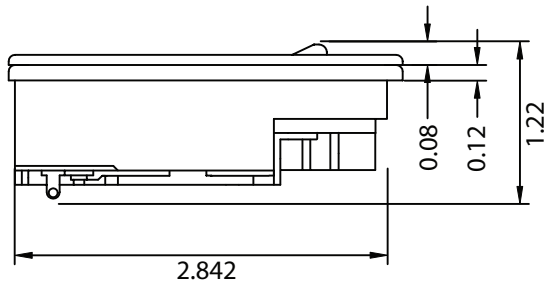
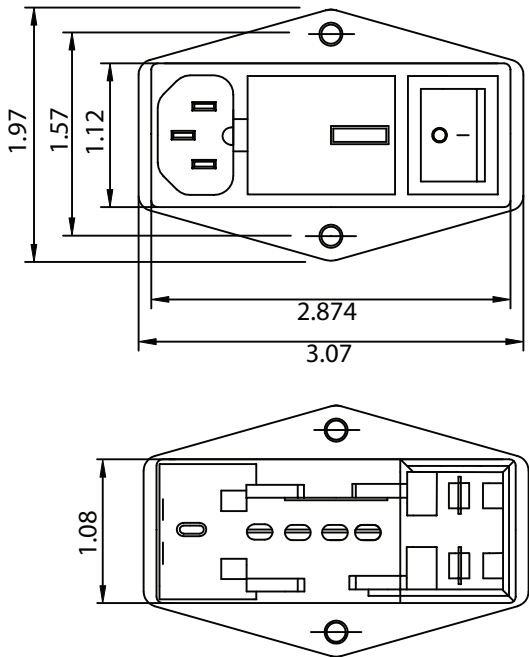


THESE DRAWINGS ARE THE PROPERTY OF QUALTEK ELECTRONICS AND NOT TO BE REPRODUCED FOR OR COMMUNICATED TO A THIRD PARTY WITHOUT THE EXPRESS WRITTEN PERMISSION OF AN OFFICER OF QUALTEK ELECTRONICS.

| REVISION | | | |
|----------|------------------------|----------|----------|
| REV. | DESCRIPTION | DATE | APPROVED |
| B | RoHS Compliancy | 06-01-06 | DP |
| C | Updated Specifications | 01-24-08 | DP |

MECHANICAL DIMENSIONS:

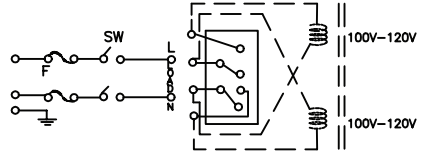


NOTES:

ELECTRICAL CHARACTERISTICS:
 RATED CURRENT:
 UL / CSA / SEMKO @ 250 VAC.....10 AMP
 DPST POWER SWITCH:
 UL / CSA / @ 250 VAC.....10 AMP
 SEMKO @ 250VAC.....10 AMP
 VOLTAGE SELECTOR CARD:
 100-120 VAC or 200-240 VAC INPUT VOLTAGE
 UL / CSA / SEMKO @ 250.....10 AMP
 DOUBLE 5x20mm FUSEHOLDER
 SOLDER TAB TERMINALS
 FLAMMABILITY CLASS UL94V-0
 PLASTIC CASE
 SCREW MOUNT TYPE

APPROVALS: UL, CSA, SEMKO
 RoHS COMPLIANT

ELECTRICAL SCHEMATIC:



CONTROLLED

| | | Qualtek Electronics Corp. PPC DIVISION | | |
|----------------|--------------------|---|----------------|-----------------|
| Dim range (mm) | Tolerance +/- (mm) | Part Number: 764-00/003 | | RoHS Compliant |
| 0-1 | 0.15 | Description: MULTI-FUNCTION MODULE | | |
| 1-6 | 0.20 | | | |
| 6-18 | 0.30 | | | |
| 18-50 | 0.50 | | | |
| 50-120 | 0.70 | UNIT: in | REV. C | |
| 120-250 | 0.90 | Drawn / Date | Checked / Date | Approved / Date |
| 250-500 | 1.20 | B.ZHANG 09-24-03 | 09-24-03 | JJH / 09-24-03 |