

注記 NOTES

1. 使用材料 MATERIAL

ハウジング : 液晶ポリマー (LCP) UL94V-0 (黒)
 HOUSING: LIQUID CRYSTAL POLYMER UL94V-0 (COLOR:BLACK)
 信号用ターミナル : 銅合金
 TERMINAL FOR SIGNAL CIRCUIT : COPPER ALLOY
 電源用ターミナル : 銅合金
 TERMINAL FOR POWER CIRCUIT : COPPER ALLOY

2. メッキ仕様 PLATING

ターミナル (信号用、電源用) TERMINAL FOR SIGNAL AND POWER CIRCUIT
 金メッキ
 GOLD
 下地メッキ : ニッケルメッキ
 UNDER PLATING : NICKEL
 ※コンタクト部とテール部はニッケルメッキによって分断されている金メッキです。
 DIVIDE INTO PARTS THE GOLD PLATING OF THE CONTACT AND THE TAIL PART BY THE NICKEL PLATING.

金具 FITTING NAIL

金メッキ (半田付け部のみ)
 GOLD (SOLDER TAIL)
 下地メッキ : ニッケルメッキ
 UNDER PLATING : NICKEL

4. 嵌合相手: 505006 シリーズ

MATE WITH : 505006 SERIES.

5. テール平坦度は、0.08 以下

TAIL COPLANARITY TO BE 0.08MAXIMUM.

金具の平坦度は、0.1 以下
 FITTING NAIL COPLANARITY TO BE 0.1MAXIMUM.

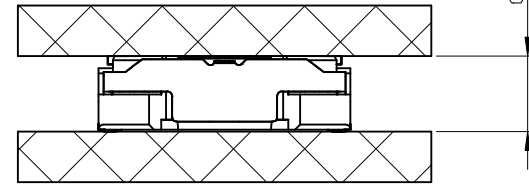
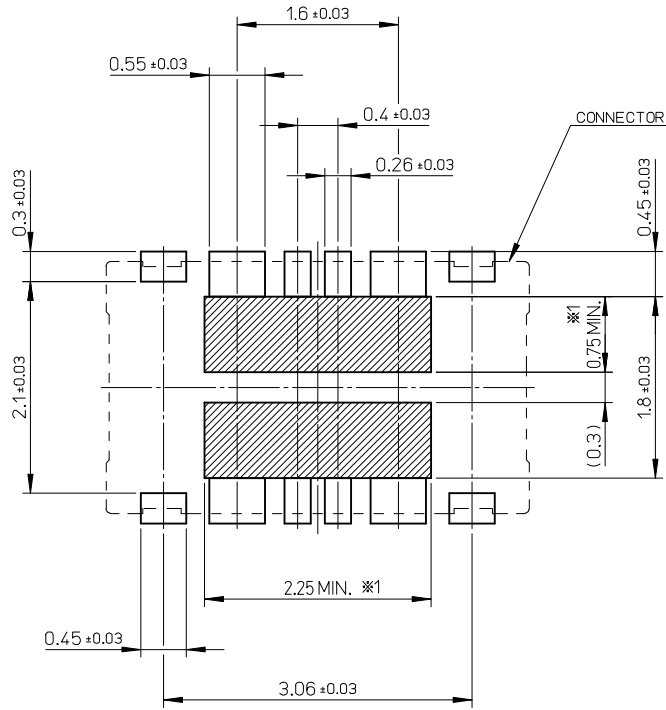
6. ELV & RoHS適合品

ELV and RoHS COMPLIANT.

4	4	505004-0810	0	---	8
FOR POWER	FOR SIGNAL	EMBOSSSED TAPE PACKAGE	量産品 MASS PRODUCTION	試作対応可 LOW VOL. TOOL	極数
使用用途	USAGE	オーダー番号 ORDER NO.	サンプル供給 SAMPLE PREPARATION		CIRCUIT

CONNECTOR SERIES No. : 505004-***09

REVISED EC NO: J2014-1398 DRWN:SGOTO02 CHKD:RTAKEUCHI APPR:KMORIKAWA 2014/03/13 2014/03/13 2014/03/13	GENERAL TOLERANCES (UNLESS SPECIFIED)		DIMENSION STYLE MM ONLY	SCALE 20:1	DESIGN UNITS METRIC	THIRD ANGLE PROJECTION
	10 UNDER	±0.2	DRAWN BY SGOTO02	DATE 2014/03/03	TITLE 0.4 BB CONN H=0.75 BATTERY REC ASSY	
	10 OVER 30 UNDER	±0.25	CHECKED BY RTAKEUCHI	DATE 2014/03/03		
	30 OVER	±0.3	APPROVED BY KMORIKAWA	DATE 2014/03/05		
REV	DESCRIPTION	ANGULAR ±1 °	MATERIAL NO. SEE CHART	DOCUMENT NO. SD-505004-001	SHEET NO. 1 OF 2	
		DRAFT WHERE APPLICABLE MUST REMAIN WITHIN DIMENSIONS	THIS DRAWING CONTAINS INFORMATION THAT IS PROPRIETARY TO MOLEX INCORPORATED AND SHOULD NOT BE USED WITHOUT WRITTEN PERMISSION			



嵌合状態
MATED CONDITION

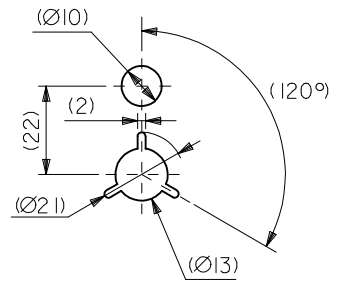
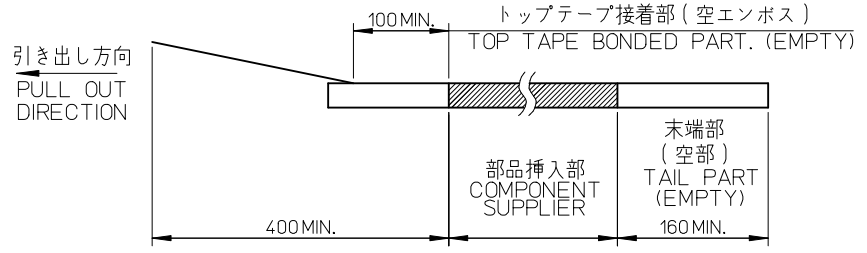
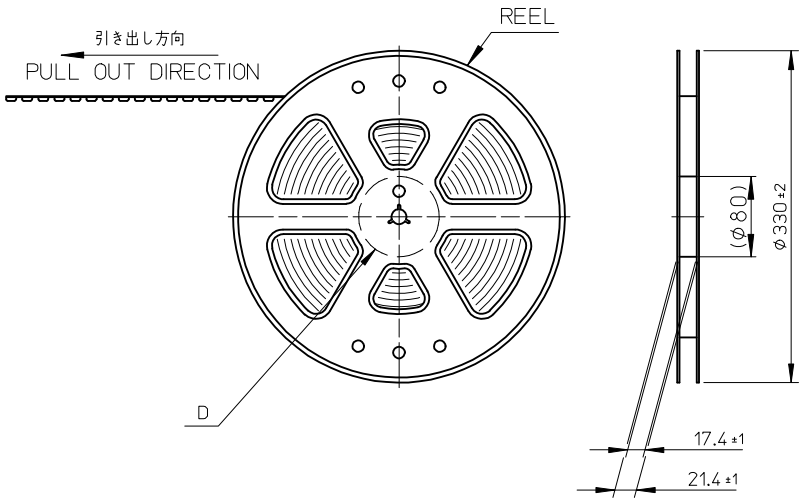
推奨基板寸法 (参考)
 推奨メタルマスク厚: $t=0.1\text{mm}$ / 推奨メタルマスク開口率: 80%
 RECOMMENDED P.W.BOARD PATTERN LAYOUT (REFERENCE)
 RECOMMENDED THICKNESS OF METAL MASK: $t=0.1\text{mm}$
 RECOMMENDED OPEN APERTURE RATIO OF METAL MASK: 80%

※1 パターン引き回し、および半田禁止エリア
 (当該箇所においては、回路の配線を禁止する。また、この部分に半田は無きこととする。)
 PROHIBITED AREA OF PATTERN WIRING AND SOLDER.
 (FOR EACH AREA THE WIRING CAN NOT BE AVAILABLE.
 AND COVERED WITH A FILM KEEP SOLDER OUT)

REVISED EC NO: J2014-1398 DRWN:SGOTO02 2014/03/13 CHKD:RTAKEUCHI 2014/03/13 APPR:KMORIKAWA 2014/03/13	GENERAL TOLERANCES (UNLESS SPECIFIED)		DIMENSION STYLE MM ONLY	SCALE 20:1	DESIGN UNITS METRIC	THIRD ANGLE PROJECTION
	10 UNDER	± 0.2	DRAWN BY SGOTO02	DATE 2014/03/03	TITLE 0.4 BB CONN H=0.75 BATTERY REC ASSY	
	10 OVER 30 UNDER	± 0.25	CHECKED BY RTAKEUCHI	DATE 2014/03/03		
	30 OVER	± 0.3	APPROVED BY KMORIKAWA	DATE 2014/03/05		
REV	DESCRIPTION	ANGULAR ± 1 ° DRAFT WHERE APPLICABLE MUST REMAIN WITHIN DIMENSIONS	MATERIAL NO. SEE SHEET1	DOCUMENT NO. SD-505004-001	SHEET NO. 2 OF 2	

注記 NOTES

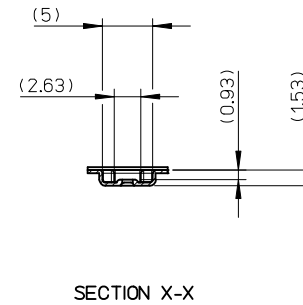
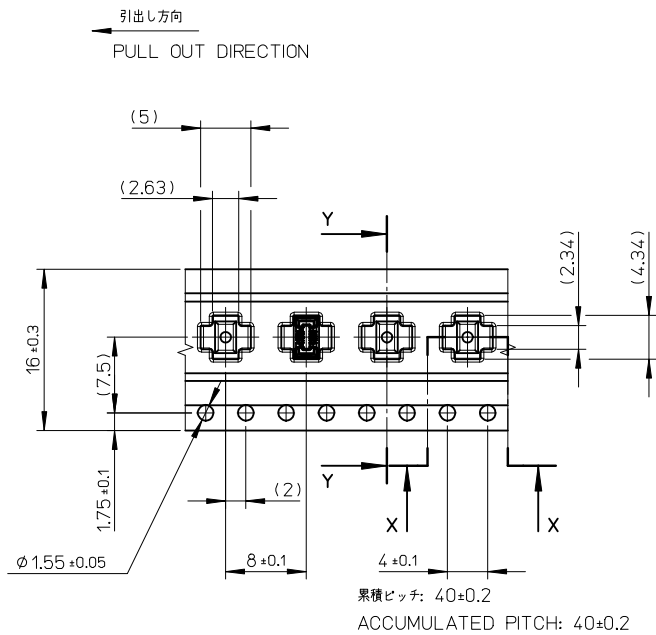
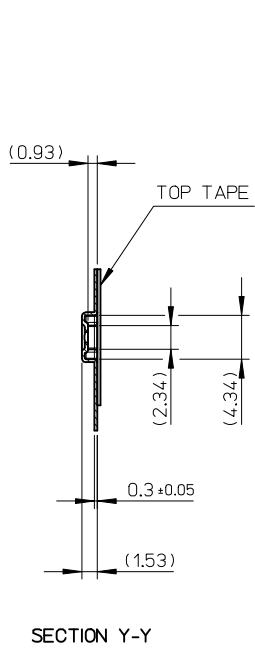
- 製品詳細寸法については製品単体図面を参照下さい。
RE DETAILED DIMENSION, SEE PRODUCT DRAWING.
- 梱包数量: 3000個/リール
NUMBER OF CONNECTORS: 3000PCS/REEL
- リードテープ長さ LEAD TAPE LENGTH



DETAIL D

- トップテープの剥離強度は、IEC60286-3に準拠する。
PEELING OFF FORCE OF THE TOP TAPE IS DEFINED BY IEC60286-3.
- 材料 MATERIAL
キャリアテープ (CARRIER TAPE) ポリスチレン (POLYSTYRENE)
トップテープ (TOP TAPE) PET, OTHER
リール (REEL) ポリスチレン (PS) <リサイクル材を含む>
POLYSTYRENE (PS) <RECYCLE MATERIAL CONTAINED>
- ELV 及び RoHS適合品
ELV AND RoHS COMPLIANT

RELEASED EC NO: J2014-1398 DRWN:SGOT002 2014/03/12 CHKD:RTAKEUCHI 2014/03/13 APPR:KMORIKAWA 2014/03/13	GENERAL TOLERANCES (UNLESS SPECIFIED)		DIMENSION STYLE MM ONLY		SCALE ---	DESIGN UNITS METRIC	THIRD ANGLE PROJECTION	
	10 UNDER	± 0.2	DRAWN BY SGOT002	DATE 2014/03/12	TITLE 0.4 BB CONN H=0.75 BATTERY REC ASSY EMBSTP PKG			
	10 OVER 30 UNDER	± 0.25	CHECKED BY RTAKEUCHI	DATE 2014/03/13	molex DOCUMENT NO. SD-505004-002 SHEET NO. 1 OF 2			
	30 OVER	± 0.3	APPROVED BY KMORIKAWA	DATE 2014/03/13				
ANGULAR	± 1	MATERIAL NO. SEE SHEET 2		THIS DRAWING CONTAINS INFORMATION THAT IS PROPRIETARY TO MOLEX INCORPORATED AND SHOULD NOT BE USED WITHOUT WRITTEN PERMISSION				
DRAFT WHERE APPLICABLE MUST REMAIN WITHIN DIMENSIONS		SIZE A3						



505004-0810	0	---	8
EMBOSSSED TAPE PACKAGE	量産品 MASS PRODUCTION	試作対応可 LOW VOL. TOOL	極数 CIRCUIT
オーダー番号 ORDER NO.	サンプル供給 SAMPLE PREPARATION		
MODEL No.	505004-***10		

RELEASED EC NO: J2014-1398 DRWN:SGOTO02 2014/03/12 CHKD:RTAKEUCHI 2014/03/13 APPR:KMORIKAWA 2014/03/13	GENERAL TOLERANCES (UNLESS SPECIFIED)		DIMENSION STYLE	SCALE	DESIGN UNITS	TITLE 0.4 BB CONN H=0.75 BATTERY REC ASSY EMBSTP PKG molex DOCUMENT NO. SD-505004-002 SHEET NO. 2 OF 2
	10 UNDER ±0.2 10 OVER 30 UNDER ±0.25 30 OVER ±0.3		MM ONLY	2:1	METRIC	
	ANGULAR ±1° DRAFT WHERE APPLICABLE MUST REMAIN WITHIN DIMENSIONS		DRAWN BY DATE SGO02 2014/03/12 CHECKED BY DATE RTAKEUCHI 2014/03/13 APPROVED BY DATE KMORIKAWA 2014/03/13 MATERIAL NO.	THIRD ANGLE PROJECTION		
			SEE CHART			