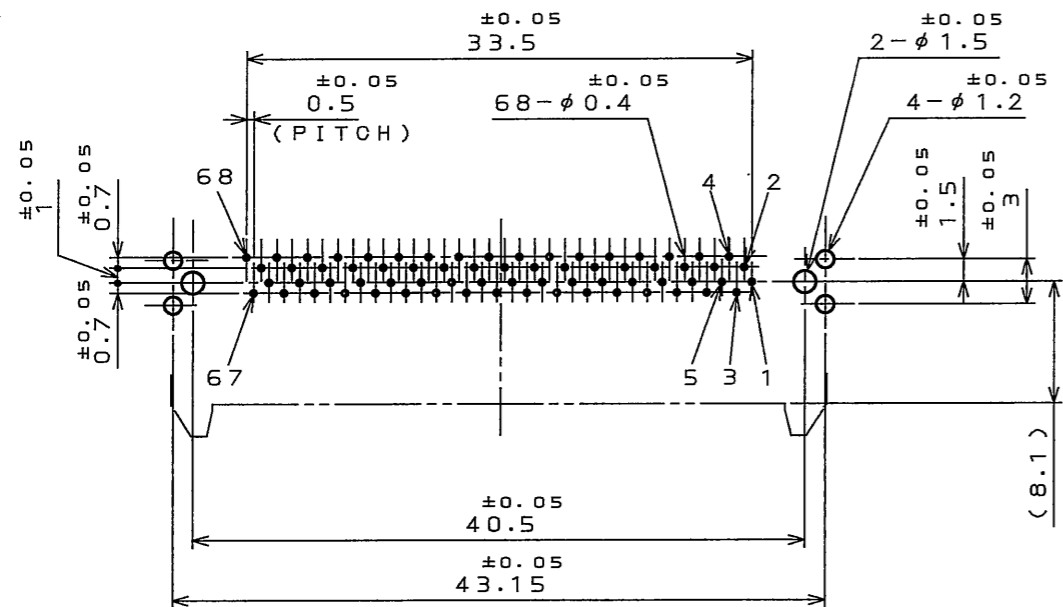
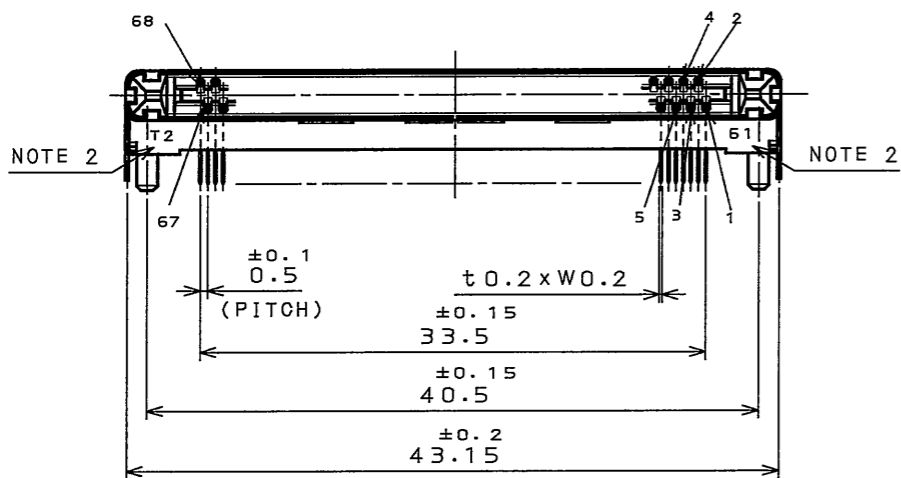
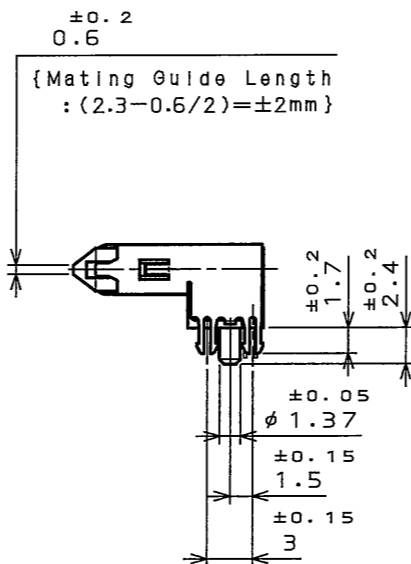
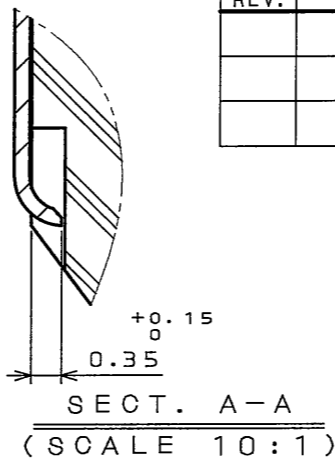
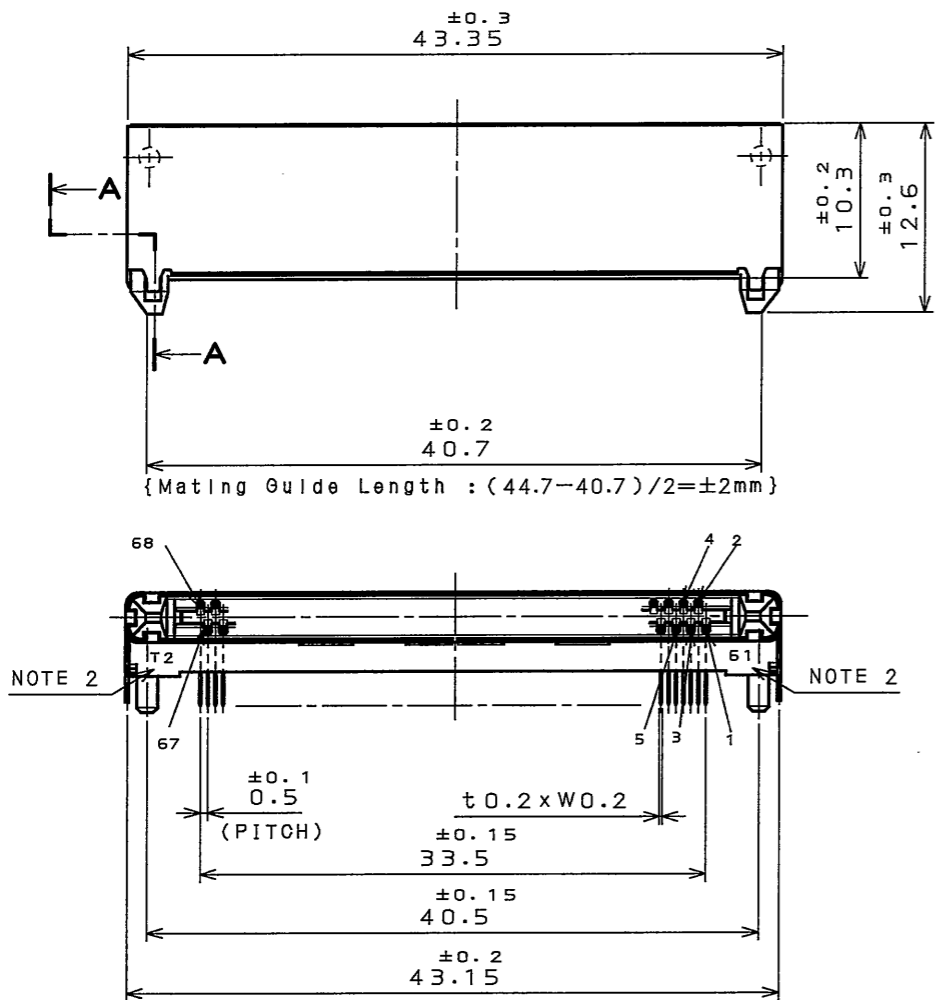


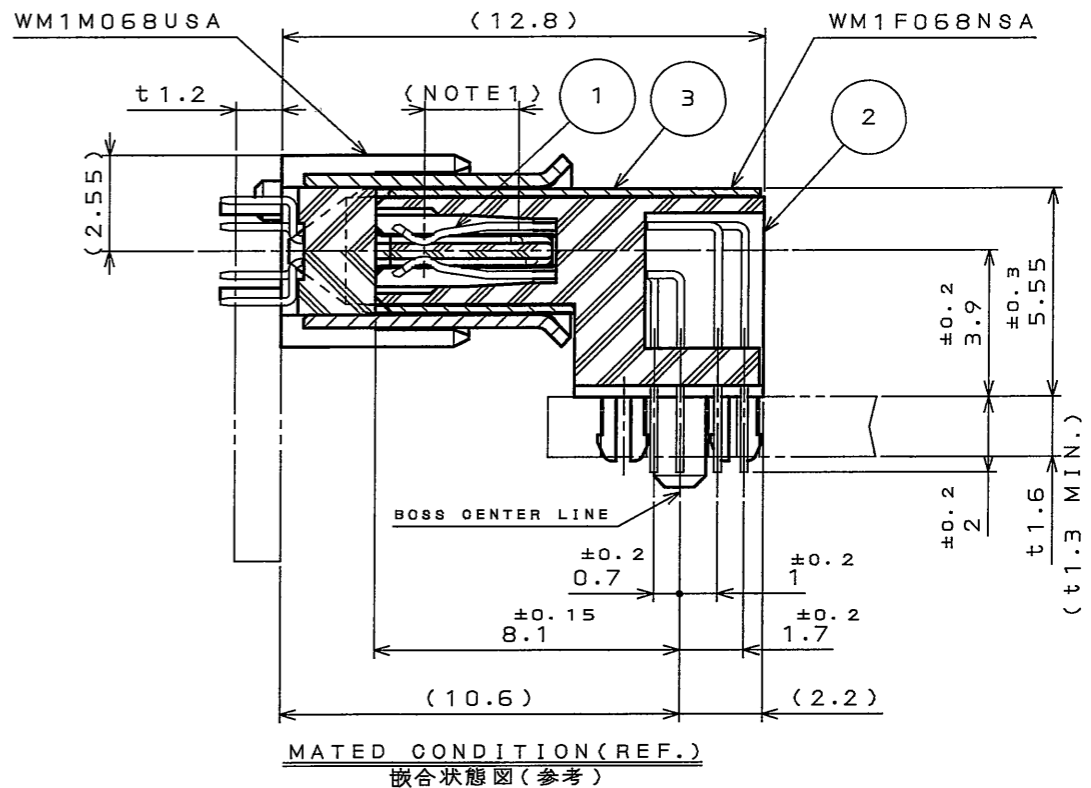
986001RS

(ON ENIMVHD)台裏図

版数 REV.	年月日 DATE	DCN NO.	変更内容 DESCRIPTION	製図 DR.	担当 CHK.	査閲 APPD.	承認 APPD.



APPLICABLE P.C.B. DIMENSION (REF. NOTE 3)



NOTE 1. SEQUENTIAL TERMINALS (1ST MATING TERMINALS) ARE PLACED ON THE OTHER SIDE OF CONNECTOR  
CONTACT STROKE #1, #3-#16 : 2.9  
#2, #17-#68 : 2.5

NOTE 2. PRODUCTION LOT NUMBER AS INDICATED.

(EX.) T 2 6 1  
LOT NUMBER OF CURRENT MONTH  
MONTH (1 TO 9 FOR JAN. TO SEPT. RESPECTIBLY, OCT. : 0, NOV. : X, DEC. : Y)  
YEAR (LAST DIGIT ONLY)  
MANUFACTURER CODE

符号 NO.	名称 DESCRIPTION	個数 QTY.	材料 MATERIAL	仕上 FINISH	備考 REMARKS
3	SHELL	1	STAINLESS STEEL	NI PLATING	
2	INSULATOR	1	GLASS FILLED LCP		UL94V-0 BLACK
1	CONTACT	68	COPPER ALLOY	TERMINAL: (LEAD FREE) TIN/TIN ALLOY CONTACT AREA: Au 0.76μm MIN OVER NI	
仕様書 (SPECIFICATION)		第1版 (ORIGINAL DATE) 19.Apr.2004		尺度 (SCALE) 2:1	
公差 (GENERAL TOLERANCE)		製図 DR.		名称 (TITLE) Reference Only	
寸法 (DIMENSION)		担当 CHK. K.KAWASE		WM1F068NSA	
角度 (ANGLES)		査閲 APPD.		(SOCKET ANGLE)	
. ±0.8 X° ±		承認 APPD. S. Kashiwagi		重量 (WEIGHT)	
.X ±0.4 X°X' ±				図面番号 (DRAWING NO.) SJ100986	
.XX ±0.1				版数 (REV.) 1	
.XXX ±					

LEAD FREE この製品は鉛フリー品です

JAE CONNECTOR DIV. PROPRIETARY. COPYRIGHT (C) 2004. JAPAN AVIATION ELECTRONICS INDUSTRY, LTD.

DOF-0-212E (03.08)

