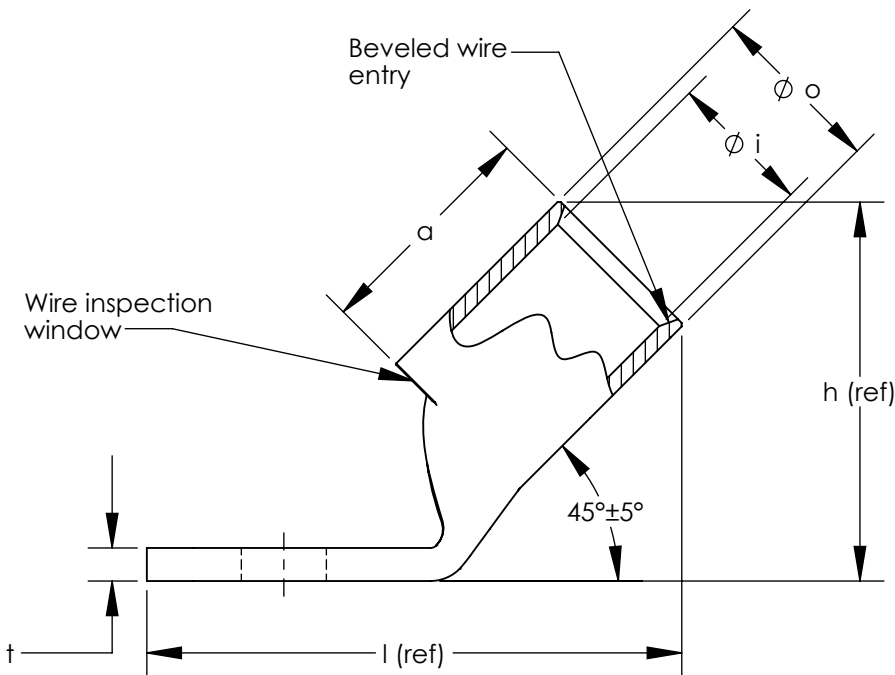
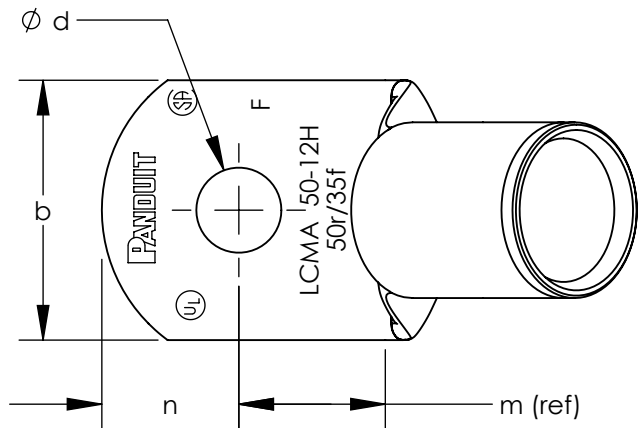


THIS COPY IS PROVIDED ON A RESTRICTED BASIS AND IS NOT TO BE USED IN ANY WAY DETRIMENTAL TO THE INTERESTS OF PANDUIT CORP.

ALL DIMENSIONS ARE IN mm

Part Number	Class 2r Wire Size	Class 5f & 6f Wire Size	Stud Size	Wire Strip Length	Panduit Die Index No. For Class 2r Wire Circumferential Dies	Panduit Die Index No. For Class 5f & 6f Wire Circumferential Dies	Panduit Die Index No. For Class 5f & 6f Wire Nest/Indenter Dies	l (ref)	h (ref)	o ±.50	i ±.50	a ±2.25	m (ref)	n ±2.25	d ±.50	b ±2.25	t
LCMA35-6H-C	35mm ²	25mm ²	M6	19.0	P29	P29	P42/2	36.7	24.2	10.40	8.20	17.5	12.3	8.5	6.60	15.5	2.05 ± .40
LCMA35-8H-C	35mm ²	25mm ²	M8	19.0	P29	P29	P42/2	36.7	24.2	10.40	8.20	17.5	12.3	8.5	9.00	15.5	2.05 ± .40
LCMA35-10H-C	35mm ²	25mm ²	M10	19.0	P29	P29	P42/2	36.7	24.2	10.40	8.20	17.5	12.3	8.5	11.00	15.5	2.05 ± .40
LCMA35-12H-C	35mm ²	25mm ²	M12	19.0	P29	P29	P42/2	42.1	24.6	10.40	8.20	17.5	14.5	11.5	14.00	21.5	1.50 ± .40
LCMA50-6H-L	50mm ²	35mm ²	M6	21.8	P37	P33	P50/2	40.1	28.2	12.30	9.80	20.3	11.5	10.0	6.60	18.0	2.50 ± .40
LCMA50-8H-L	50mm ²	35mm ²	M8	21.8	P37	P33	P50/2	40.1	28.2	12.30	9.80	20.3	11.5	10.0	9.00	18.0	2.50 ± .40
LCMA50-10H-L	50mm ²	35mm ²	M10	21.8	P37	P33	P50/2	40.1	28.2	12.30	9.80	20.3	11.5	10.0	11.00	18.0	2.50 ± .40
LCMA50-12H-L	50mm ²	35mm ²	M12	21.8	P37	P33	P50/2	43.1	28.0	12.30	9.80	20.3	14.0	11.0	14.00	23.0	1.80 ± .40
LCMA70-6H-L	70mm ²	50mm ²	M6	24.8	P45	P37	P50/2	46.8	31.5	14.20	11.50	23.3	14.5	11.5	6.60	20.8	2.85 ± .40
LCMA70-8H-L	70mm ²	50mm ²	M8	24.8	P45	P37	P50/2	46.8	31.5	14.20	11.50	23.3	14.5	11.5	9.00	20.8	2.85 ± .40
LCMA70-10H-L	70mm ²	50mm ²	M10	24.8	P45	P37	P50/2	46.8	31.5	14.20	11.50	23.3	14.5	11.5	11.00	20.8	2.85 ± .40
LCMA70-12H-L	70mm ²	50mm ²	M12	24.8	P45	P37	P50/2	46.7	31.5	14.20	11.50	23.3	14.5	11.5	14.00	20.8	2.80 ± .40
LCMA95-8H-L	95mm ²	70mm ²	M8	26.0	P54	P45	P62/4	52.6	36.3	16.50	13.50	24.5	15.0	13.5	9.00	24.5	3.05 ± .40
LCMA95-10H-L	95mm ²	70mm ²	M10	26.0	P54	P45	P62/4	52.6	36.3	16.50	13.50	24.5	15.0	13.5	11.00	24.5	3.05 ± .40
LCMA95-12H-L	95mm ²	70mm ²	M12	26.0	P54	P45	P62/4	52.6	36.3	16.50	13.50	24.5	15.0	13.5	14.00	24.5	3.00 ± .40
LCMA95-16H-L	95mm ²	70mm ²	M16	26.0	P54	P45	P62/4	52.5	36.3	16.50	13.50	24.5	15.0	13.5	18.00	24.5	2.90 ± .40
LCMA120-8H-L	120mm ²	95mm ²	M8	26.0	P62	P50	P76/4	56.6	40.1	18.60	15.20	24.5	15.5	14.5	9.00	27.5	3.50 ± .45
LCMA120-10H-L	120mm ²	95mm ²	M10	26.0	P62	P50	P76/4	56.6	40.1	18.60	15.20	24.5	15.5	14.5	11.00	27.5	3.50 ± .45
LCMA120-12H-L	120mm ²	95mm ²	M12	26.0	P62	P50	P76/4	56.6	40.1	18.60	15.20	24.5	15.5	14.5	14.00	27.5	3.50 ± .45
LCMA120-16H-L	120mm ²	95mm ²	M16	26.0	P62	P50	P76/4	56.6	40.1	18.60	15.20	24.5	15.5	14.5	18.00	27.5	3.40 ± .45
LCMA150-8H-X	150mm ²	120mm ²	M8	29.0	P66	----	P76/4	64.7	44.1	21.00	16.50	27.5	18.0	16.5	9.00	30.5	4.45 ± .45
LCMA150-10H-X	150mm ²	120mm ²	M10	29.0	P66	----	P76/4	64.7	44.1	21.00	16.50	27.5	18.0	16.5	11.00	30.5	4.45 ± .45
LCMA150-12H-X	150mm ²	120mm ²	M12	29.0	P66	----	P76/4	64.7	44.1	21.00	16.50	27.5	18.0	16.5	14.00	30.5	4.45 ± .45
LCMA150-16H-X	150mm ²	120mm ²	M16	29.0	P66	----	P76/4	64.6	44.1	21.00	16.50	27.5	18.0	16.5	18.00	30.5	4.30 ± .45
LCMA150-20H-X	150mm ²	120mm ²	M20	29.0	P66	----	P76/4	68.3	43.7	21.00	16.50	27.5	22.0	16.5	22.00	30.5	4.30 ± .45



- NOTES:
1. Material: High conductivity seamless copper tube.
 2. Plating: Parts are annealed and tin plated.
 3. Wire Type: Class 2r, 5f & 6f Stranded Copper per DIN VDE 0295, IEC 60228 and HD 383.
 4. UL Listed Wire Connector: Yes, for applications up to 35kv. Consult cable manufacturer for voltage stress relief instructions with applications greater than 2000 volts.
 5. UL Temperature Rating: 90° C
 6. C.S.A. Certified Wire Connector: Yes
 7. Parts are CE and tested per EN 61238-1:2003/IEC 61238-1:2003 Class B, with Class 2r wire 35mm² - 150mm².



LISTED Wire Connector



CERTIFIED

					METRIC LUGS - LCMA ONE HOLE SERIES 35-150mm² 45° BENT STANDARD BARREL CUSTOMER DRAWING					
					ITEM REVISION NAME: 11J033BK/00 DATASET FILE NAME: 11J033BK-JC/00.SLDDRW					
					UNLESS OTHERWISE SPECIFIED, DIMENSIONAL TOLERANCES ARE: IN [mm] .X ± .XXX ± .XX ± ANGLES ±					
00	10/13	JHNU	TLCO	RGB	DRAWING RELEASED					
REV	DATE	BY	CHK	APR	DESCRIPTION					ECN
					THIRD ANGLE PROJECTION					
					DRAWN BY: JHNU DATE: 10/13 CHK: TLCO SCALE: NONE					
					SHEET 1 OF 1 SIZE: B					