

4

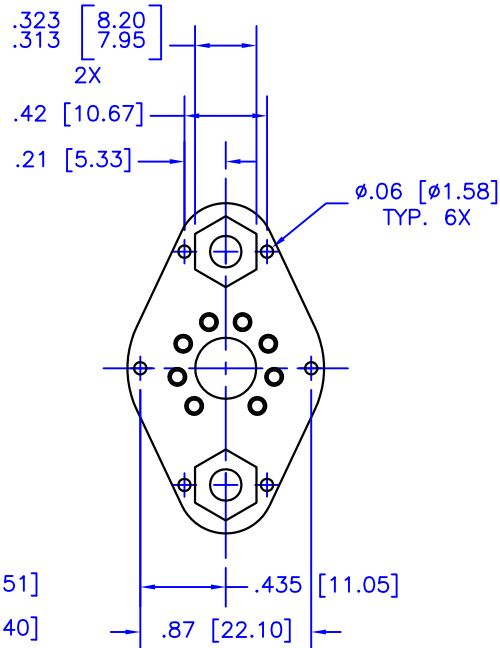
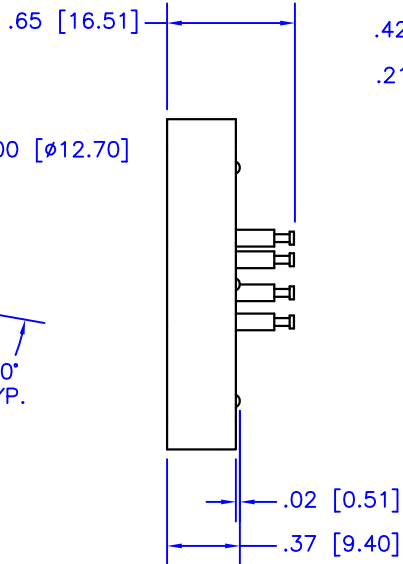
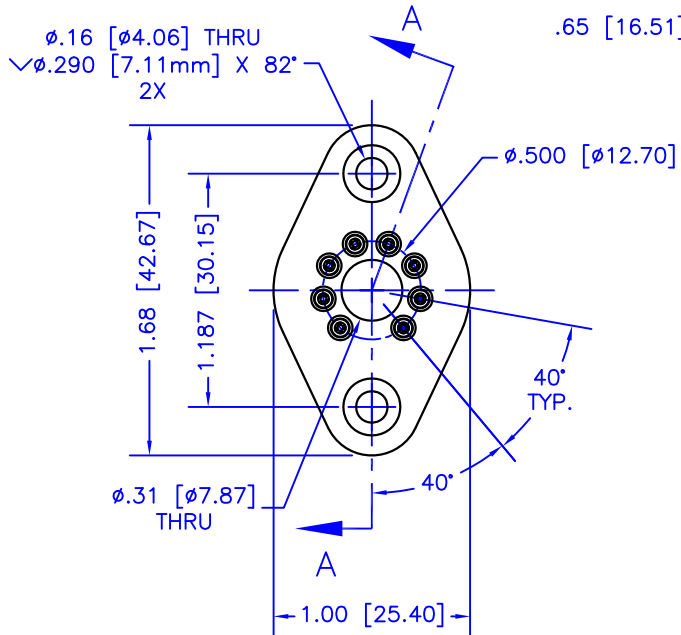
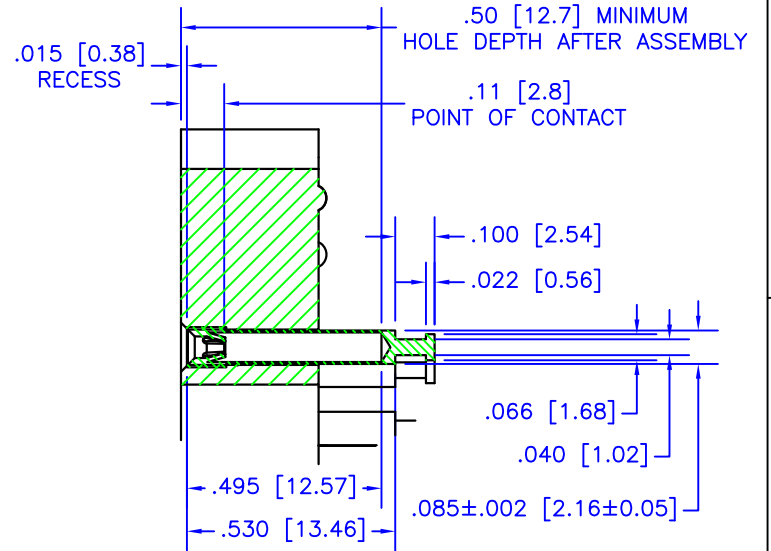
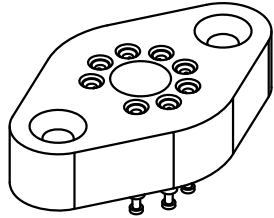
3

2

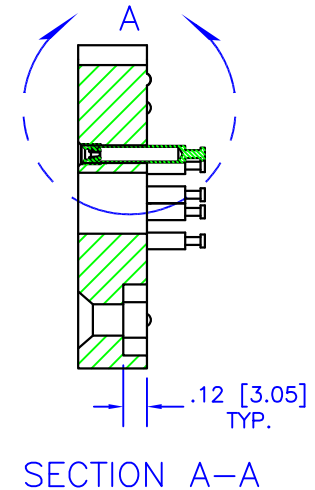
1

NOTES:

1. Dimensions are in inches & [mm].
2. Socket body: Glass-filled polyester, 94 VO rating, green in color
3. Receptacle shell: 360 brass, with 200 μin tin over 100 μin nickel
4. Receptacle contacts: Beryllium copper with 30 μin gold over 50 μin nickel
5. The continuous temperature rating of the socket shall be 150° C.
6. Contact resistance: 20 milliohms or less.



DETAIL A
SCALE 2:1



TOLERANCES - UNLESS OTHERWISE SPECIFIED	
.XX = ±.01 [.254]	
.XXX = ±.005 [.127]	
ANG. = ±5°	



TITLE: TO-3 SOCKET	
SUBJECT: MECHANICAL DRAWING	
ENGINEER: D-M	DRAWN BY: R.MOR
DCA: 13241	SHL 1 OF 1

MODEL: MS03	
REV: G	
DATE: 03JUN13	

4

3

2

1