

Housing - HC-B 6-TFL-H-O1PG21G - 1460021

Please be informed that the data shown in this PDF Document is generated from our Online Catalog. Please find the complete data in the user's documentation. Our General Terms of Use for Downloads are valid (<http://download.phoenixcontact.com>)

HEAVYCON B6 sleeve housing, for single locking latch, height: 72 mm, with 1 x Pg21 gland, straight cable outlet



Key commercial data

Packing unit	1 1
Weight per Piece (excluding packing)	170.0 GRM
Custom tariff number	85389099
Country of origin	Germany

Technical data

Dimensions

Height	72 mm
Width	43 mm
Length	60 mm

Ambient conditions

Schutzart Gehäuse (IP)	IP65
Ambient temperature (operation)	-40 °C ... 125 °C

General

Note	For contact inserts HC-B6, BB10, DD24, M
Design	B6
Housing type	Sleeve housings
Locking type	for single locking latch
No. of cable exits	1
Cable exit	Straight
Screw connection	None
Type of the screw connection	1x Pg21

Housing - HC-B 6-TFL-H-O1PG21G - 1460021

Technical data

General

Housing material	Aluminum die-cast
Housing surface material	Powder-coated, gray

Classifications

eCl@ss

eCl@ss 4.0	27140816
eCl@ss 4.1	27140816
eCl@ss 5.0	27143424
eCl@ss 5.1	27143424
eCl@ss 6.0	27143424
eCl@ss 7.0	27440209
eCl@ss 8.0	27440209

ETIM

ETIM 3.0	EC000437
ETIM 4.0	EC000437
ETIM 5.0	EC000437

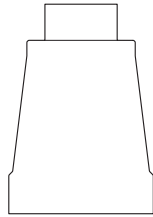
UNSPSC

UNSPSC 6.01	31261502
UNSPSC 7.0901	31261502
UNSPSC 11	31261502
UNSPSC 12.01	31261502
UNSPSC 13.2	31261502

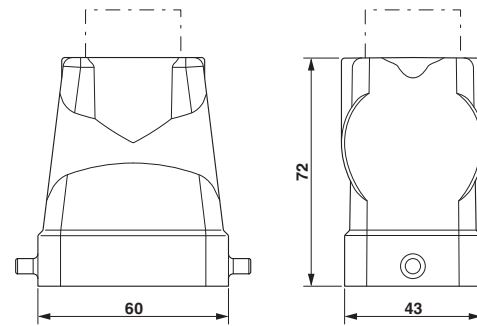
Drawings

Housing - HC-B 6-TFL-H-O1PG21G - 1460021

Schematic diagram



Dimensioned drawing



Dimensional drawing