

NOTES:

1.0 ELECTRICAL SPECIFICATIONS:

- 1.1 FREQUENCY RANGE: DC to 18.0 GHz
- 1.2 ATTENUATION VALUES: 1 THRU 30dB
IN 1dB INCREMENTS (SEE TABLE)

1.3 ATTENUATION ACCURACY:

DC to 12.4 GHz		12.4 to 18.0 GHz	
1 - 4dB	±0.75dB	1 - 4dB	±0.75dB
5 - 8dB	±0.75dB	5 - 8dB	±1.00dB
9 - 12dB	±1.00dB	9 - 12dB	±1.25dB
13 - 20dB	±1.50dB	13 - 20dB	±1.50dB
21 - 30dB	±2.00dB	21 - 30dB	±2.00dB

1.4 MAXIMUM VSWR:

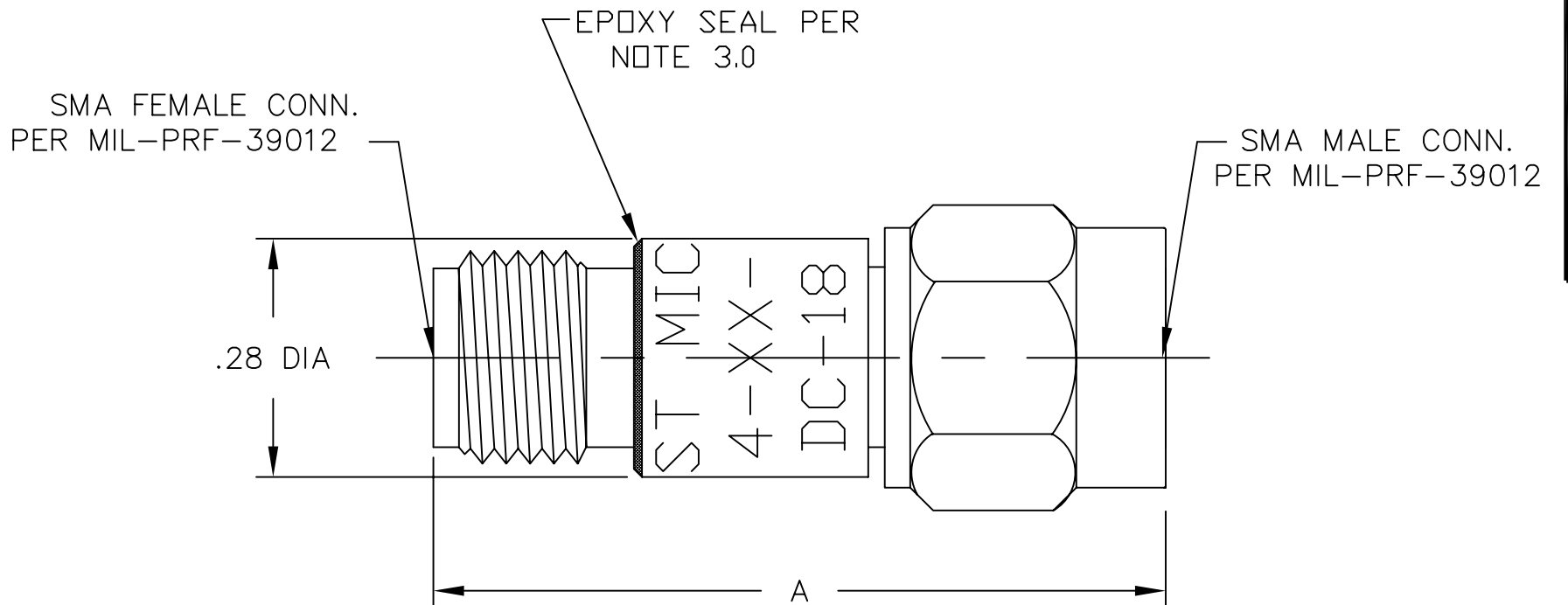
DC to 4.0 GHz:	1.25:1
4.0 to 12.4 GHz:	1.45:1
12.4 to 18.0 GHz:	1.65:1

1.5 MAXIMUM INPUT POWER: 2 WATTS AVG.
AT +25°C DERATED LINEARLY TO
0.5 WATTS AT +125°C

1.6 OPERATING TEMP. RANGE: -65°C to +125°C

2.0 MARKING: MARK UNIT AS SHOWN
(REF.: INK-03815-27-XX)

3.0 EPOXY UNIT AS SHOWN (REF.; EPX-08000-44-01)



ATTENUATION VALUE	DIM A
0-12 dB	.86
13-30 dB	1.02
31-40 dB	1.13

DWG NO. WAS: 02333-01-00

MODEL NUMBER
ATT-0444-XX-SMA-02
REV.
S

REV.	DESCRIPTION	DATE
-	RELEASED	2/23/79
H	ECR 5402	6/11/87
I	ECR 6269	11/1/88
J	ECR 6545	6/29/89
K	ECR 7107	1/25/90
L	ECR 7121	1/25/90
M	ECR 6933	1/26/90
M1	SHOW CORR. P/N	2/15/90
N	ECN 10832	9/3/91
O	REDRAW ON CAD	4/2/92
P	ECN 14825	10/30/96
R	ECN 19049	2/24/03
S	ECN 21171	1/5/07

UNLESS OTHERWISE NOTED DIMENSIONS ARE IN INCHES AND TOLERANCES ARE: 3 PLACE DECIMALS ±.005 2 PLACE DECIMALS ±.02 FRACTIONS ±1/64 PARALLELITY: T.I.R. _____ FLATNESS: T.I.R. _____ CONCENTRICITY: T.I.R. _____ ANGLES AND PERPENDICULARITY: ±1°	FSCM NO. 34078	MIDWEST MICROWAVE		
	NOTICE: The information contained in this drawing is proprietary and must not be used without the permission of Midwest Microwave		TITLE ATTENUATOR	
	DRAWN/DATE A.BEATTY 4/2/92	ENG./DATE G.KOZAK 4/9/92	DRAWING NUMBER ATT-0444-XX-SMA-02	
	CHECKED/DATE	APPROVED/DATE	SCALE: 5=1	SHEET 1 of 1