



NOTES: UNLESS OTHERWISE SPECIFIED

1. THIS COMPONENT CONFORMS TO UL60950. UL FILE NO. IS: E216117.

	WARNING: THIS COMPONENT IS RECOGNIZED BY ONE OR MORE SAFETY AGENCIES SUCH AS UL, VDE, CSA AND/OR TUV. ALL ENGINEERING CHANGES MUST HAVE PRIOR APPROVAL BY THE DESIGN CENTER PRODUCT SAFETY DEPARTMENT FOR SAFETY AGENCY COMPLIANCE.	DESIGN APPROVAL: OR APPROVAL:
		DATE:

2.

NOTICE:	THIS IS A RoHS COMPLIANT COMPONENT/PRODUCT. ALL ENGINEERING CHANGES MUST HAVE PRIOR APPROVAL BY THE DESIGN CENTER.
	RoHS

3. PLASTIC HOUSING: THERMOPLASTIC MATERIAL WITH FLAMMABILITY RATING UL 94V-0 OR BETTER.
4. CONTACT BASE MATERIAL: PHOSPHOR BRONZE.
5. CONTACTS UNDERPLATE: 30-50 MICROINCHES DUCTILE NICKEL.
6. CONTACTS PLATING: 30 MICROINCHES GOLD PLATING.
7. SOLDER TAIL PLATING MATERIAL: 200-500 uINCHES 100% TIN, MATTE FINISH.
8. METAL SHIELD: NICKEL PLATING ON COPPER ALLOY.

9. JACK CAVITY CONFORMS TO FCC RULES AND REGULATIONS PART 68 SUBPART F.

10. PCB PLATING: HASL (TOP PCB)
ENIG (BOTTOM PCB)
11. SOLDERABILITY: CONFORMS TO ANSI/J-STD-002, IPC/EIA J-STD-003A.
12. OPERATING TEMPERATURE: 0°C TO +70°C
13. STORAGE TEMPERATURE: -20°C TO +125°C
14. JEDEC MOISTURE: LEVEL 1.
15. DIMENSIONS ARE IN INCHES [MILLIMETERS] WITH THE FOLLOWING TOLERANCES: [MILLIMETERS] ARE FOR REFERENCE ONLY.
.XX = ±.02 [±0.5]
.XXX = ±.010 [±0.25]

ELECTRICAL CHARACTERISTICS AT +25°C UNLESS OTHERWISE SPECIFIED
(FOR REFERENCE ONLY. USED FOR CUSTOMER INFORMATION.)

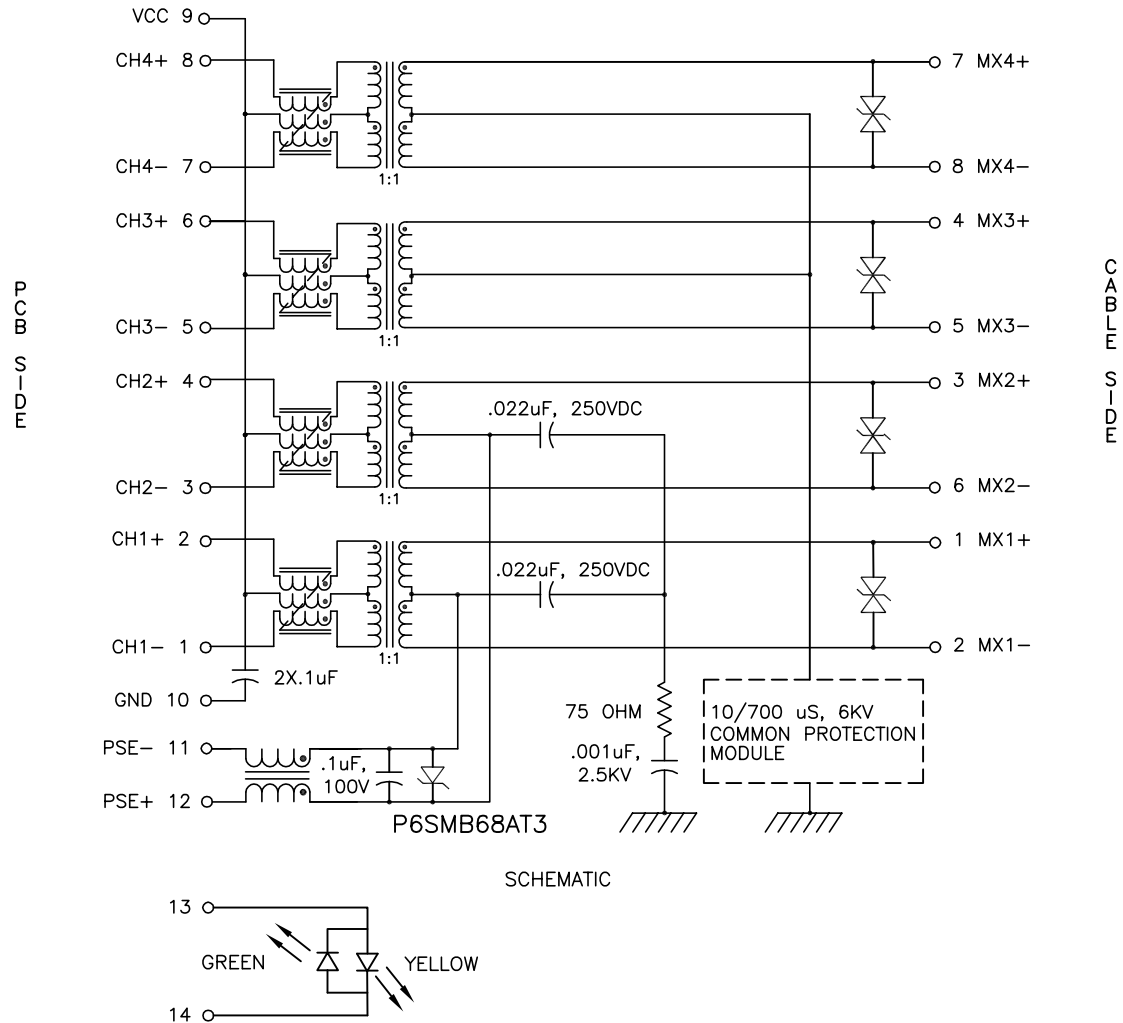
PARAMETER	SPECIFICATIONS				
OPERATING TEMP	0°C - 70°C				
URNS RATIO	1.00 ± 2%				
POLARITY	PER SCHEMATIC				
INSERTION LOSS	1-30 MHz	100 MHz	125 MHz		
	-1.0 dB MAX	-1.8 dB MAX	-3.0 dB MAX		
RETURN LOSS (Z OUT = 100 OHM ±15%)	1 MHz	40 MHz	60 MHz	80 MHz	100 MHz
	-20 dB MIN	-18 dB MIN	-14.4 dB MIN	-12 dB MIN	-10 dB MIN
INDUCTANCE (OCL) ⊕ 100KHz, 100mVRMS FROM 0°C TO 70°C	MP1, MX2			MX3, MX4	
	120 uH MIN WITH 19 mA DC BIAS & 350 uH MIN WITH 8 mA DC BIAS			350 uH MIN WITH 8 mA DC BIAS	
CROSSTALK, ADJACENT CHANNELS	1 MHz	30 MHz	60 MHz	100 MHz	
	-50 dB MIN	-43 dB MIN	-38 dB MIN	-33 dB MIN	
COMMON MODE REJECTION RATIO	125 MHz	250 MHz	375 MHz	500 MHz	625-1000 MHz
	-35 dB MIN	-28 dB MIN	-24 dB MIN	-18 dB MIN	-15 dB MIN
DC RESISTANCE, 1/2 WINDING	.65 OHMS MAX				
DC RESISTANCE IMBALANCE	±.065 OHMS MAX (CENTER TAP SYMMETRY)				
DC CURRENT/VOLTAGE RATING - PSE PINS	720 mA MAXIMUM, ⊕ 57 V (CONTINUOUS)				
WORKING VOLTAGE	BELOW 24 VOLTAGES				

EMMITTED COLOR	YELLOW	GREEN
WAVELENGTH (nm)	585 nm	565 nm
BRIGHTNESS (mCD)	5 TO 7 TYP. ⊕ 10mA	6 TO 8 TYP. ⊕ 10mA
VIEWING ANGLE	85 - 100°	85 - 100°
POWER DISSIPATION (Pd)	80 mW MAX	80 mW MAX
DC FORWARD CURRENT	100 mA MAX	100 mA MAX
REVERSE VOLTAGE (Vr)	2.1 TO 2.6 VOLTS	2.1 TO 2.6 VOLTS

NOTE: PER VENDOR'S SPECIFICATIONS

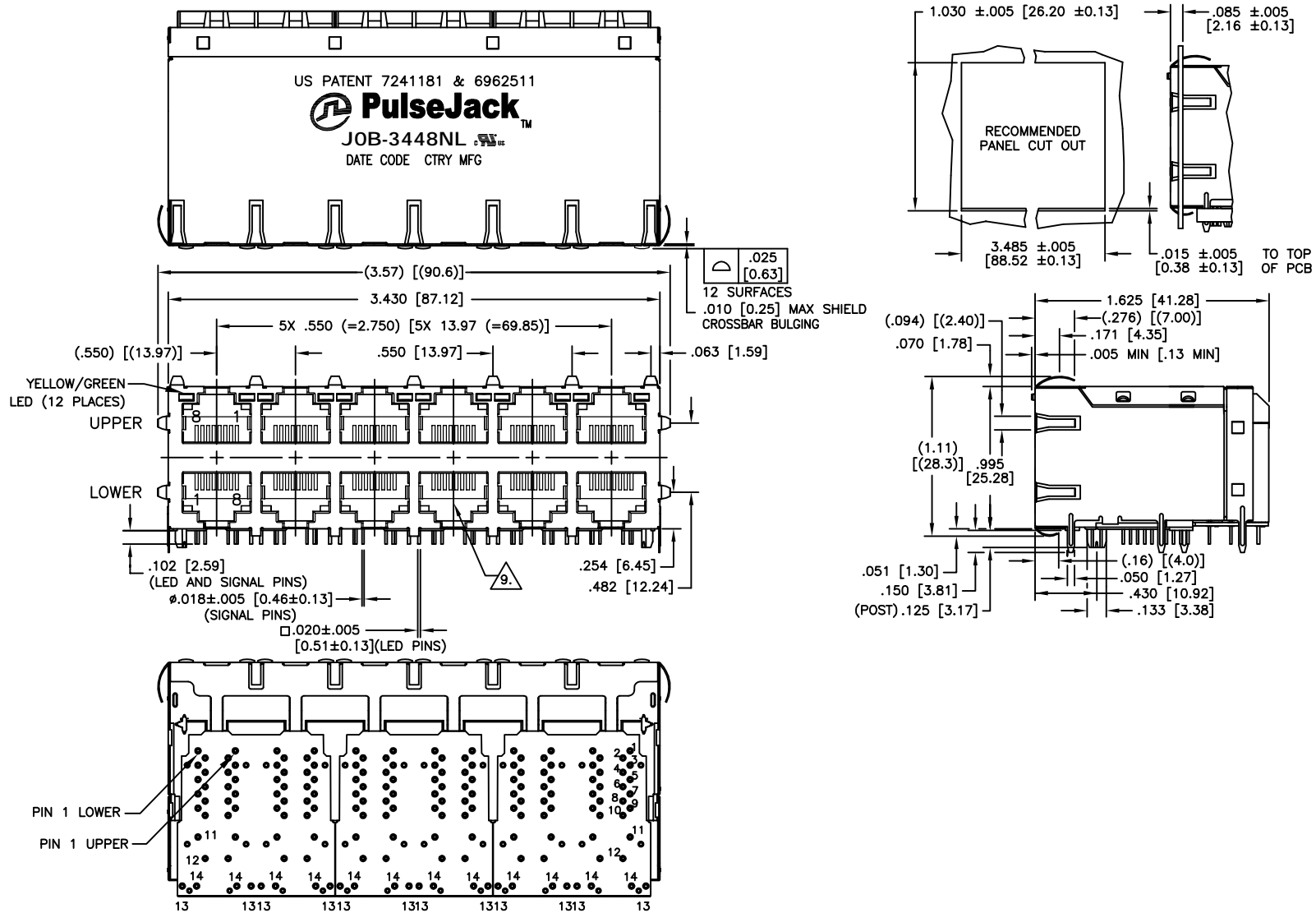
© Copyright, 2013. Pulse Electronics Corp. All rights reserved. Drawing specifications subject to change without notice. (01/13/14)

PULSE CONFIDENTIAL & PROPRIETARY	PRODUCT DESCRIPTION	PS DRAWING	SHEET:	DWG. NO./ PART NO.	REV.
	CONN,RJ45,2X6,1GPP,1:1,TY	PS-2417.374-D	1	JOB-3448NL	M10



© Copyright, 2013. Pulse Electronics Corp. All rights reserved. Drawing specifications subject to change without notice. (01/13/14)

PULSE CONFIDENTIAL & PROPRIETARY	PRODUCT DESCRIPTION	PS DRAWING	SHEET:	DWG. NO./ PART NO.	REV.
	CONN,RJ45,2X6,1GPP,1:1,TY	PS-2417.374-D	2	JOB-3448NL	M10



© Copyright, 2013. Pulse Electronics Corp. All rights reserved. Drawing specifications subject to change without notice. (01/13/14)

PULSE CONFIDENTIAL
&
PROPRIETARY

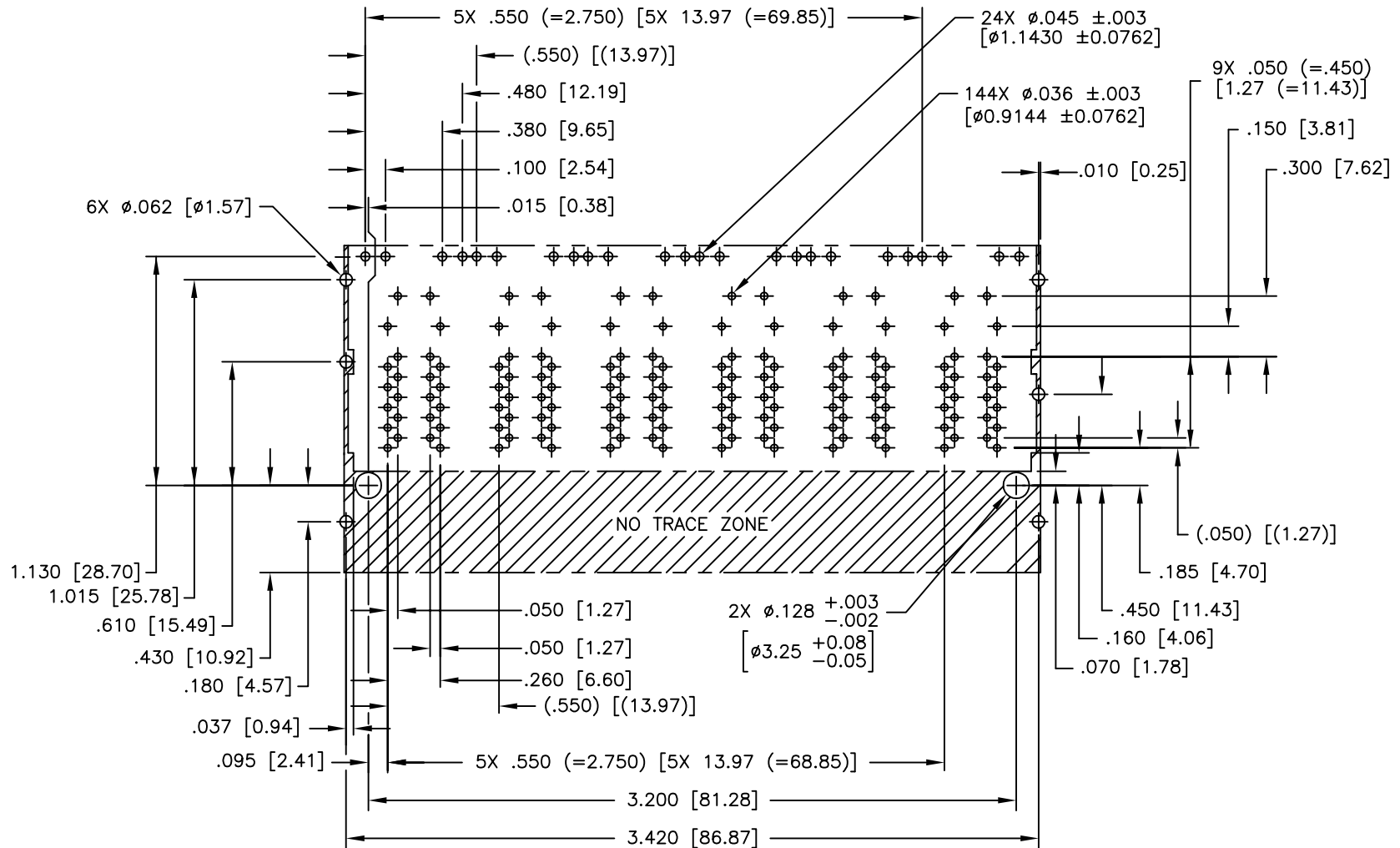
PRODUCT DESCRIPTION
CONN,RJ45,2X6,1GPP,1:1,TY

PS DRAWING
PS-2417.374-D

SHEET:
3

DWG. NO./ PART NO.
JOB-3448NL

REV.
M10



- NOTES: 1. NO TRACE ZONE PLATED HOLE NON-PLATED HOLE
2. SUGGESTED PC BOARD LAYOUT VIEWED FROM COMPONENT SIDE
3. UNLESS OTHERWISE SPECIFIED DIMENSIONAL TOLERANCE IS ±0.002

© Copyright, 2013. Pulse Electronics Corp. All rights reserved. Drawing specifications subject to change without notice. (01/13/14)

PULSE CONFIDENTIAL & PROPRIETARY	PRODUCT DESCRIPTION	PS DRAWING	SHEET:	DWG. NO./ PART NO.	REV.
	CONN,RJ45,2X6,1GPP,1:1,TY	PS-2417.374-D	4	JOB-3448NL	M10